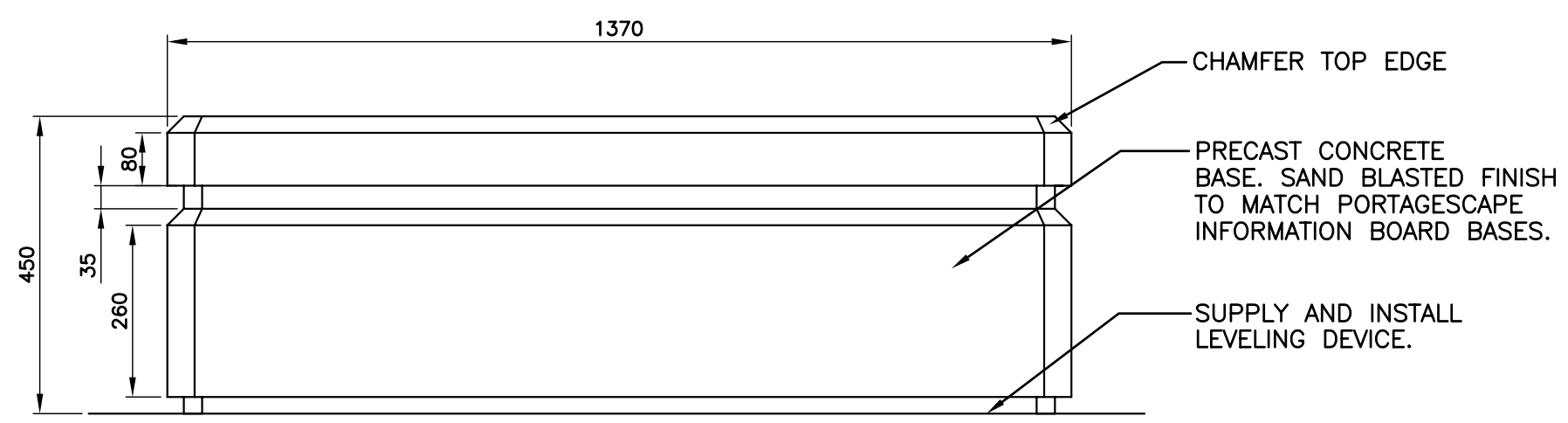
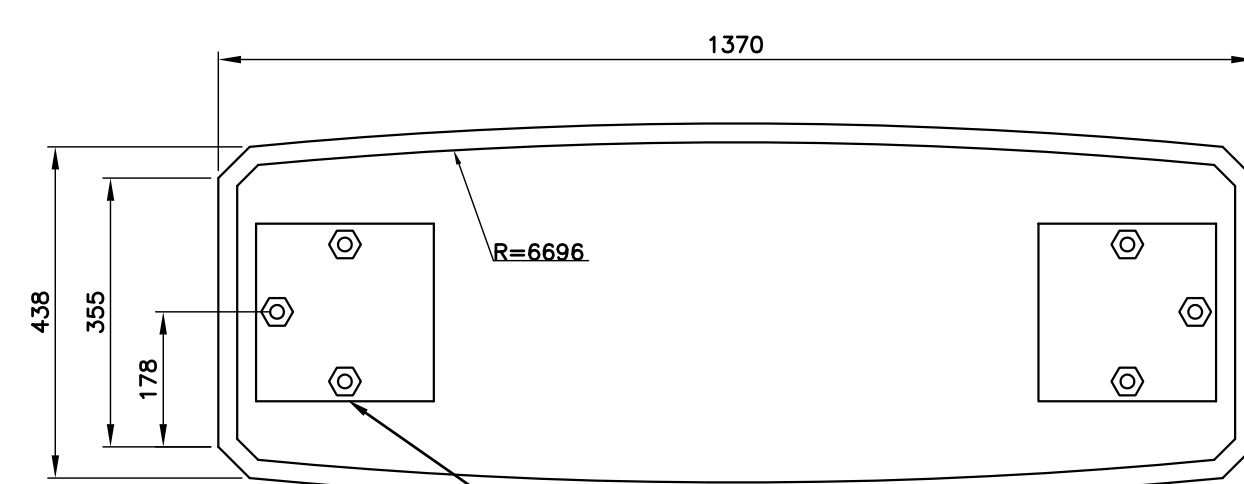


DECORATIVE PANEL



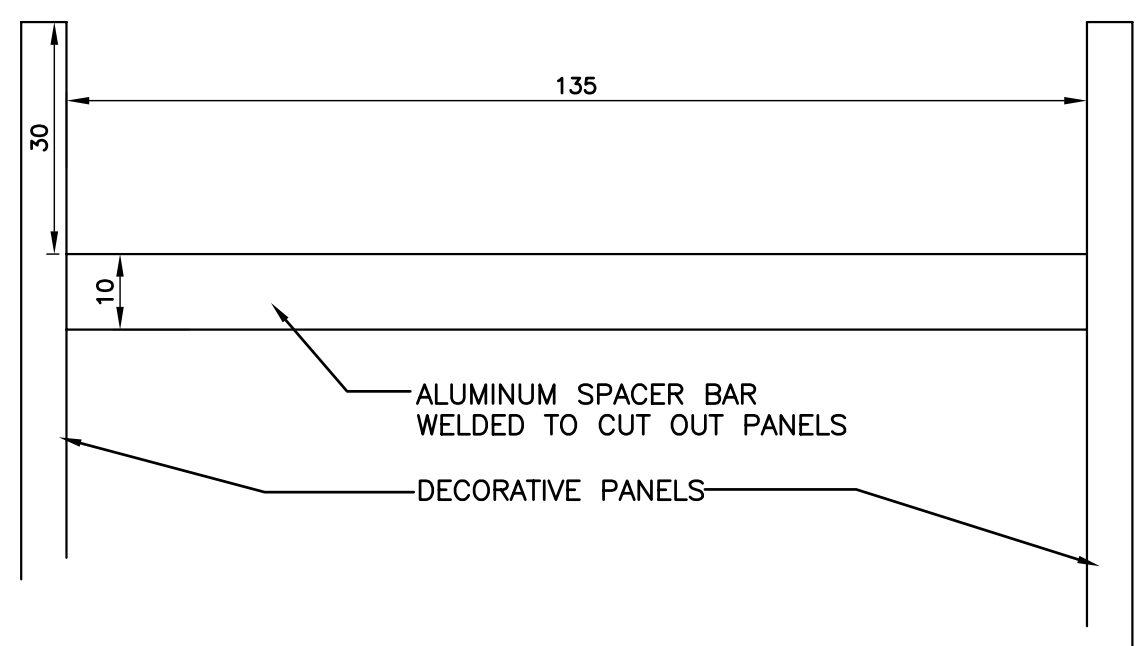
PRECAST CONCRETE BASE - ELEVATION



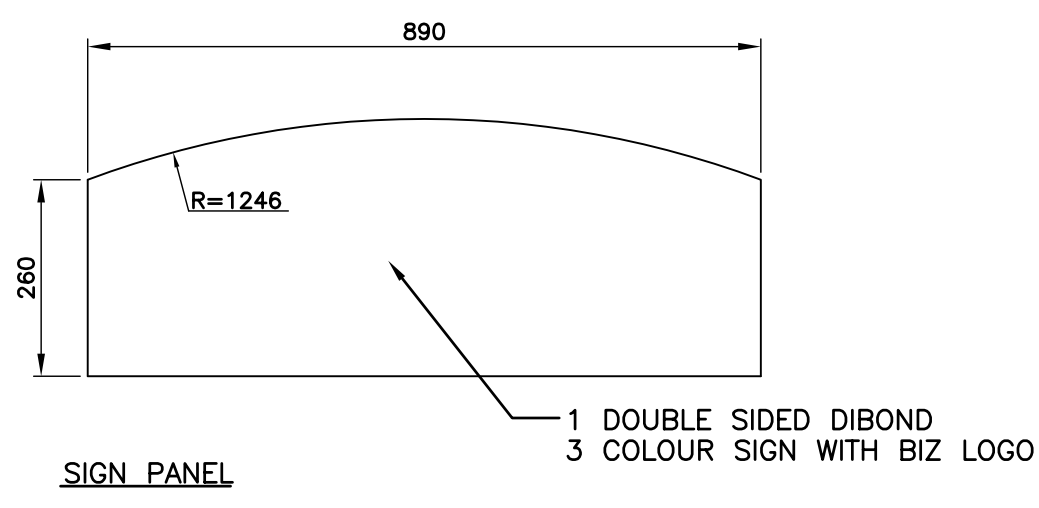
PRECAST CONCRETE BASE

NOTES

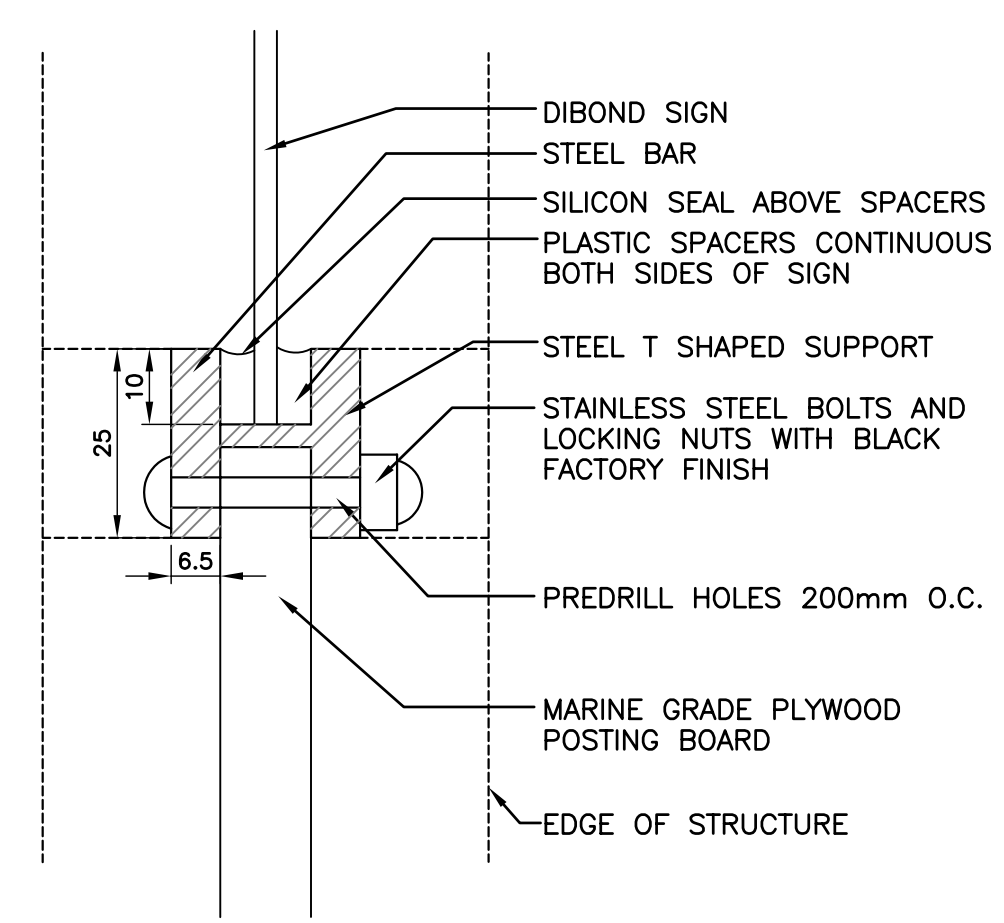
1. ALL EXPOSED METAL TO BE POWDER COATED PM 211511 (SPARKLE SILVER) BY PURTECH TO MATCH SHELTERS.
2. CONTRACTOR TO PROVIDE STAMPED SHOP DRAWINGS ITEMIZING ALL METAL WORK, FASTENINGS, WELDS AND MATERIALS.
3. ALL STRUCTURES TO BE GALVANIZED AFTER CONSTRUCTION ALL PARTS TO BE GALVANIZED ON BOTH INTERIOR AND EXTERIOR SURFACES.
4. ALL FASTENINGS TO BE STAINLESS STEEL. PAINT TO MATCH STRUCTURE AS REQUIRED. FACTORY FINISH BLACK STAINLESS STEEL SCREWS TO BE USED ON ALL BLACK ITEMS.
5. ENSURE ALL FASTENINGS ARE OF SUFFICIENT SIZE FOR APPLICATION. UNDER OR OVERSIZED MATERIALS WILL NOT BE ACCEPTED.
6. PROVIDE SAMPLE OR CUT SHEET OF ALL PROPOSED FASTENINGS



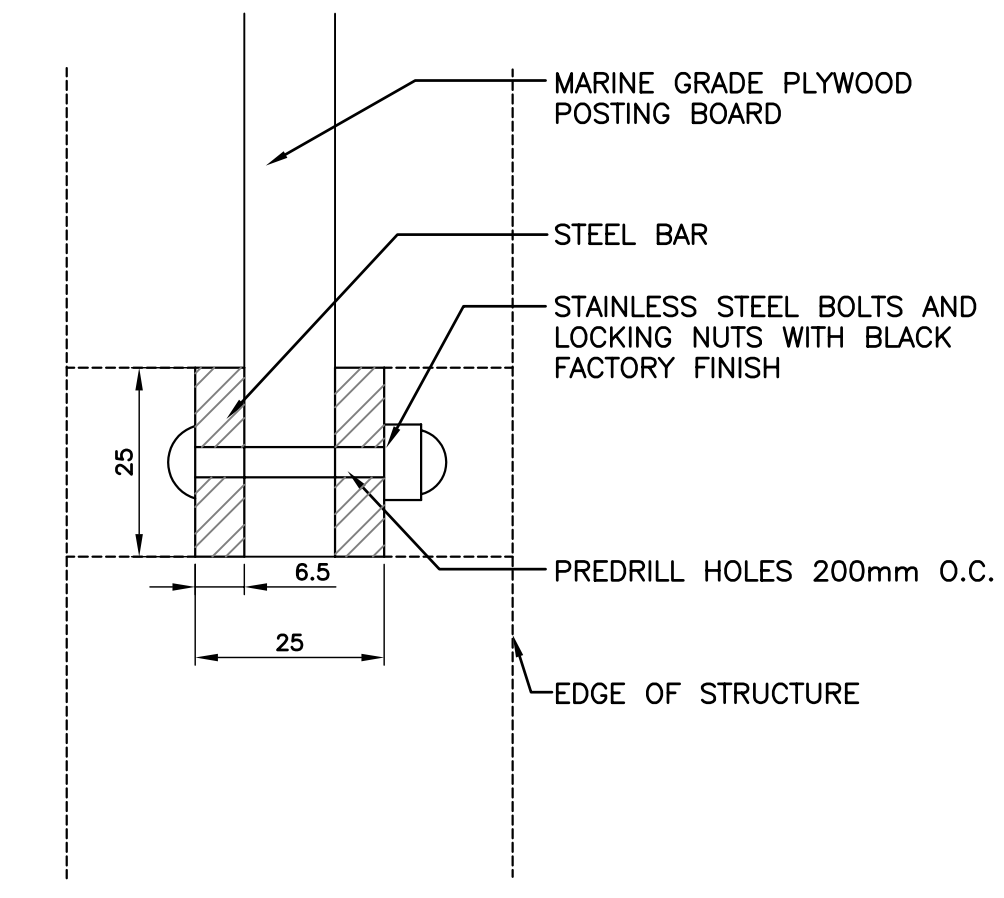
SPACER FOR DECORATIVE PANELS AT TOP OF SIGN



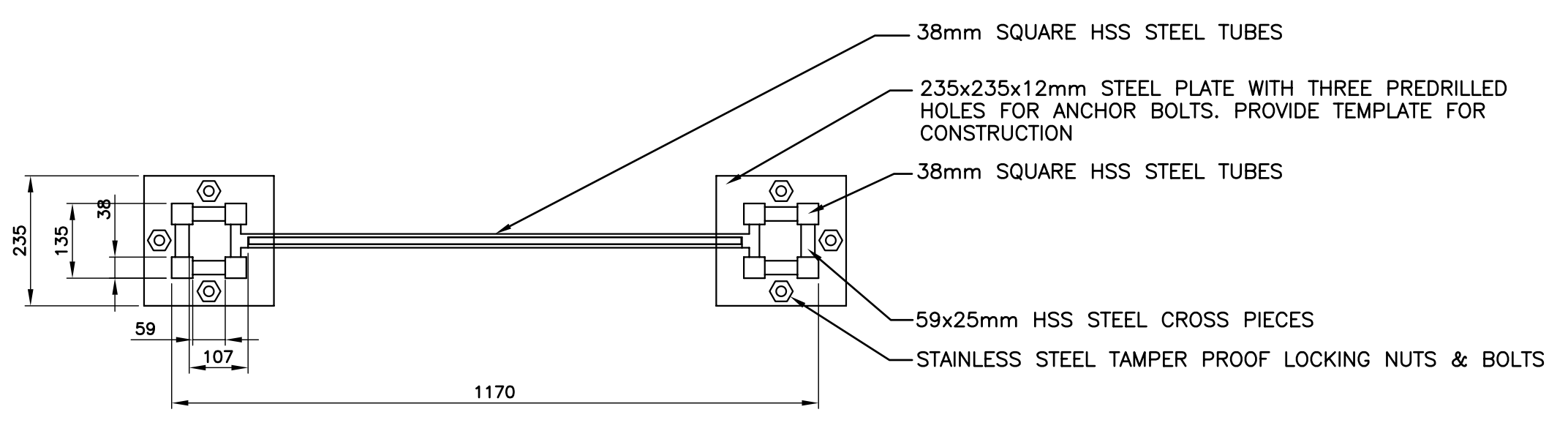
SIGN PANEL



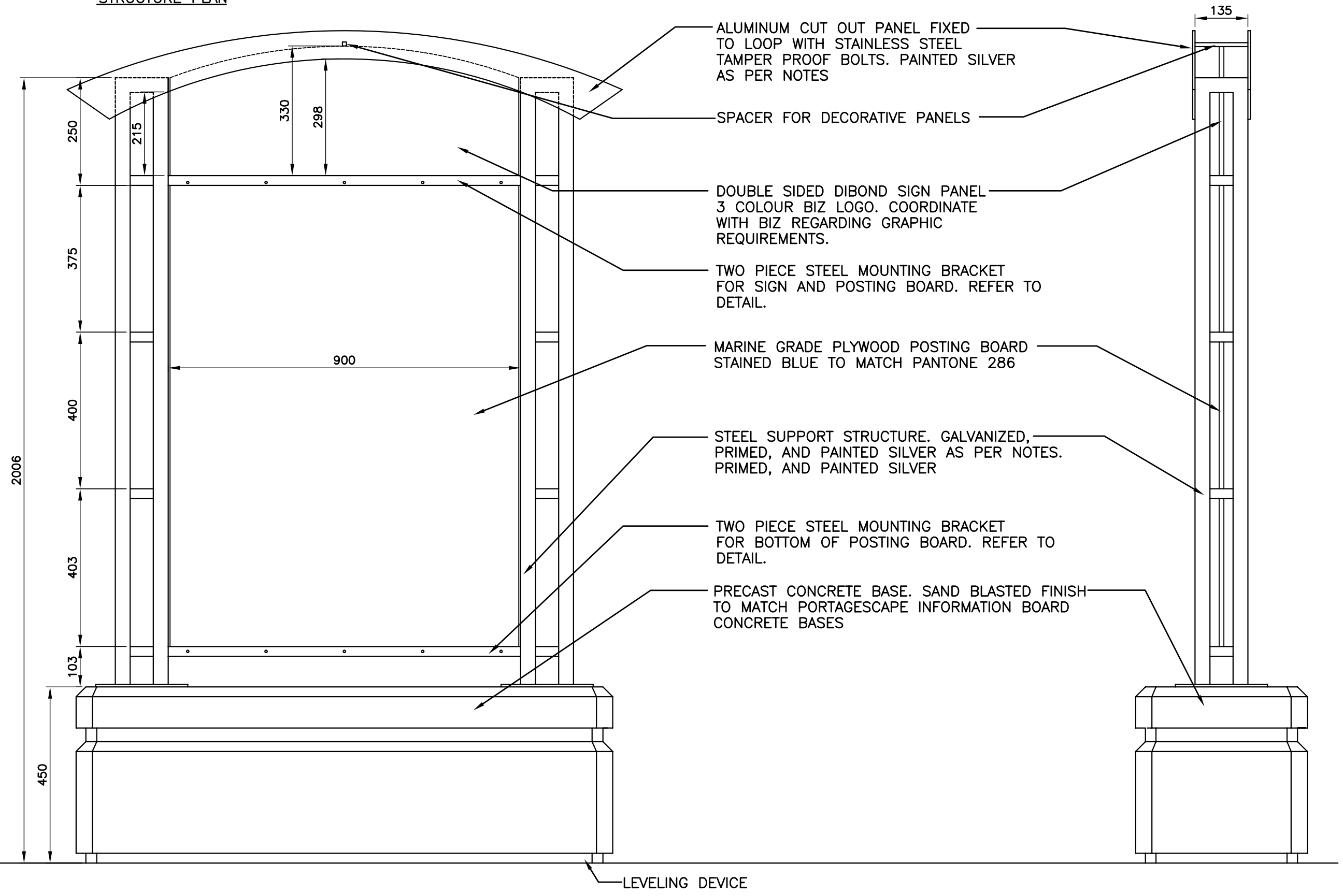
MOUNTING BRACKET FOR SIGN AND POSTING BOARD



BOTTOM MOUNTING BRACKET FOR POSTING BOARD



STRUCTURE PLAN



1 COMMUNITY INFORMATION KIOSK
L1.1 1:20

No.	Revisions	Date	By
Date Scale			
06-07-06	NTS		
Designed By	Drawn By	Checked By	
SR	PR	SR	



WINNIPEG TRANSIT
Project Title
SUPPLY & INSTALLATION OF
BIKE LOOPS, NEWSPAPER
BOX LOOPS, & COMMUNITY
INFORMATION KIOSK

DETAILS

Project No. 06-017 Drawing No. L2.1