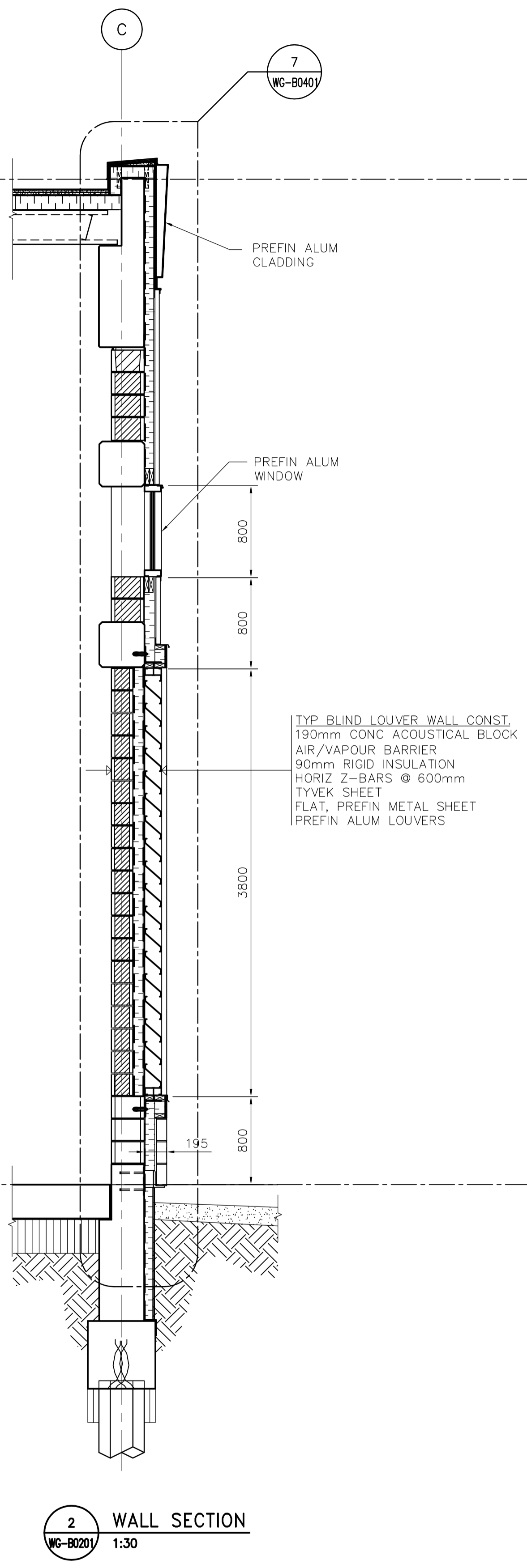
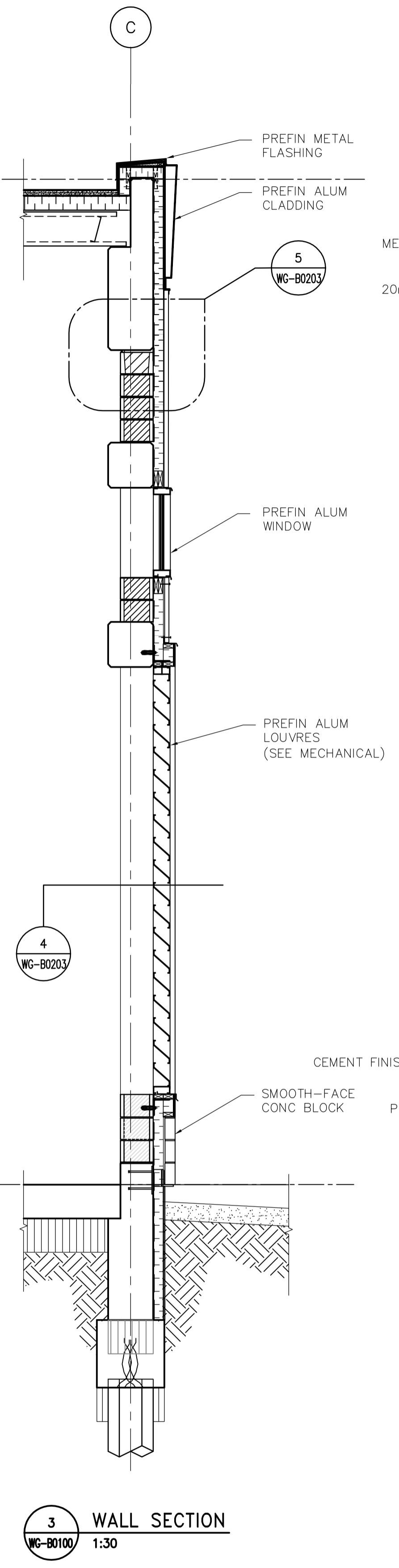


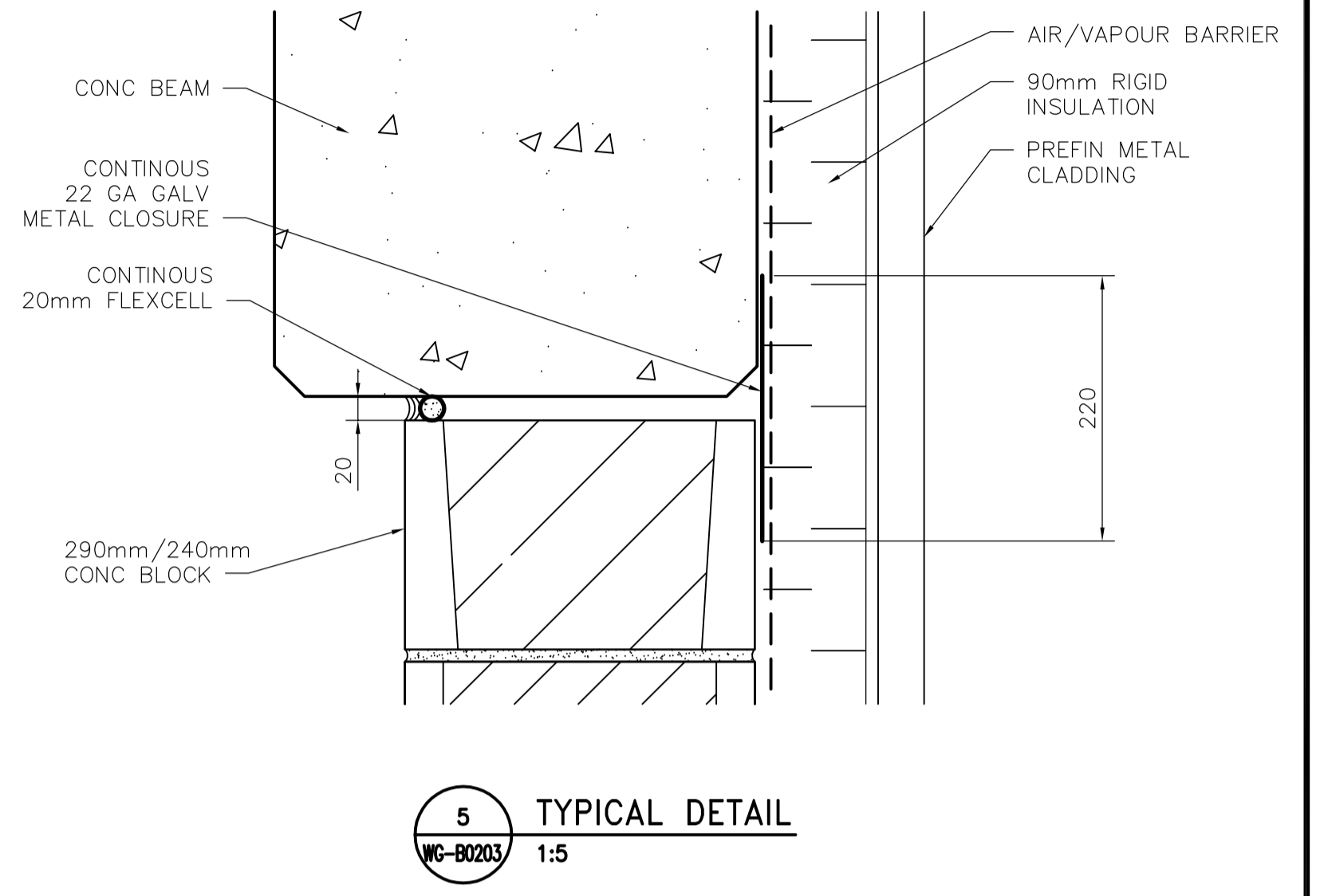
1 WALL SECTION
1:30



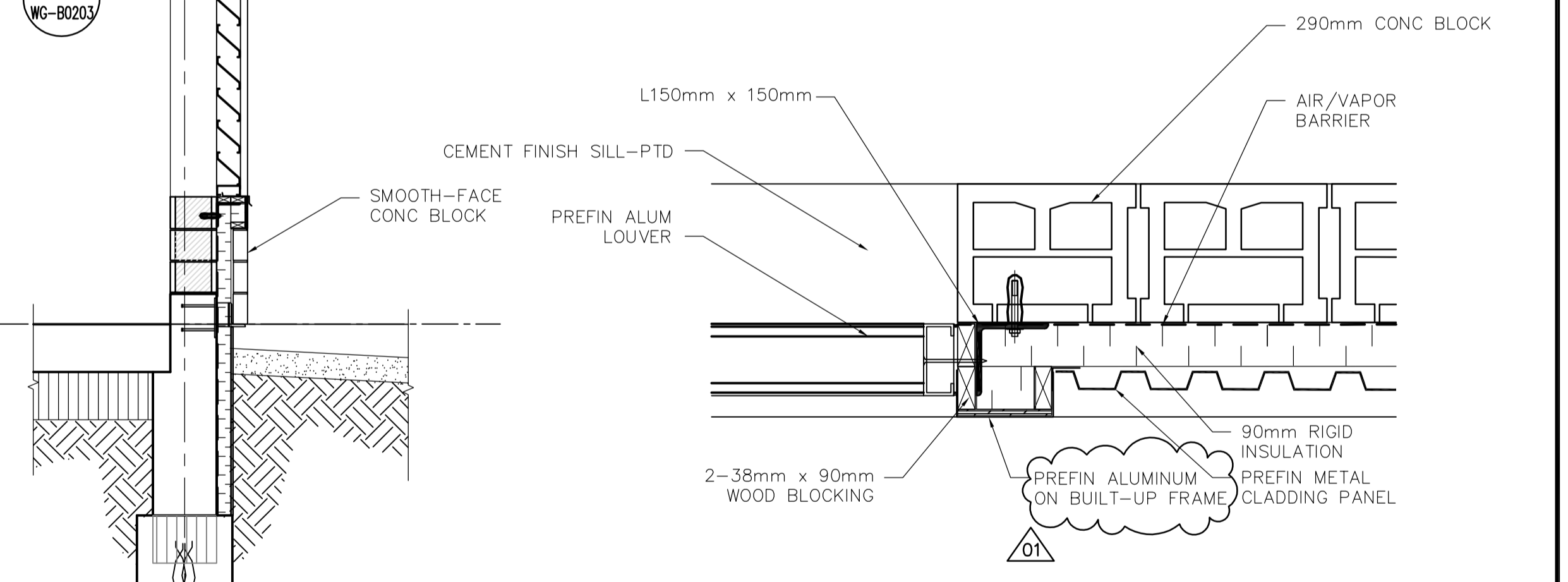
2 WALL SECTION
1:30



3 WALL SECTION
1:30



5 TYPICAL DETAIL
1:5



4 PLAN DETAIL @ LOUVER JAMB
1:10

B.M. ELEV.			
01	498-2006 ADDEMNNDUM 10	06/10/24	AL
00	ISSUED FOR TENDER	06/08/28	AL
NO.	REVISIONS	DATE	BY

 		 <small>A Tyco International Ltd. Company</small>	
DESIGNED BY	NC	CHECKED BY	LK
DRAWN BY	AL	APPROVED BY	AHL
SCALE:	AS SHOWN	RELEASED FOR CONSTRUCTION BY:	R. SOROKOWSKI
DATE	2006/06/01	DATE	2006/08/30

ENGINEER'S SEAL
ORIGINAL SIGNED BY
N. COOPER
2006/08/30
CONSULTANT DRAWING NO.
WG-B0203

 THE CITY OF WINNIPEG WATER AND WASTE DEPARTMENT ENGINEERING DIVISION	
WATER TREATMENT PLANT STANDBY POWER GENERATOR	CITY FILE NUMBER
	SHEET OF
ARCHITECTURAL WALL SECTIONS	CITY DRAWING NUMBER
	1-0601G-A-B0203-001-01D