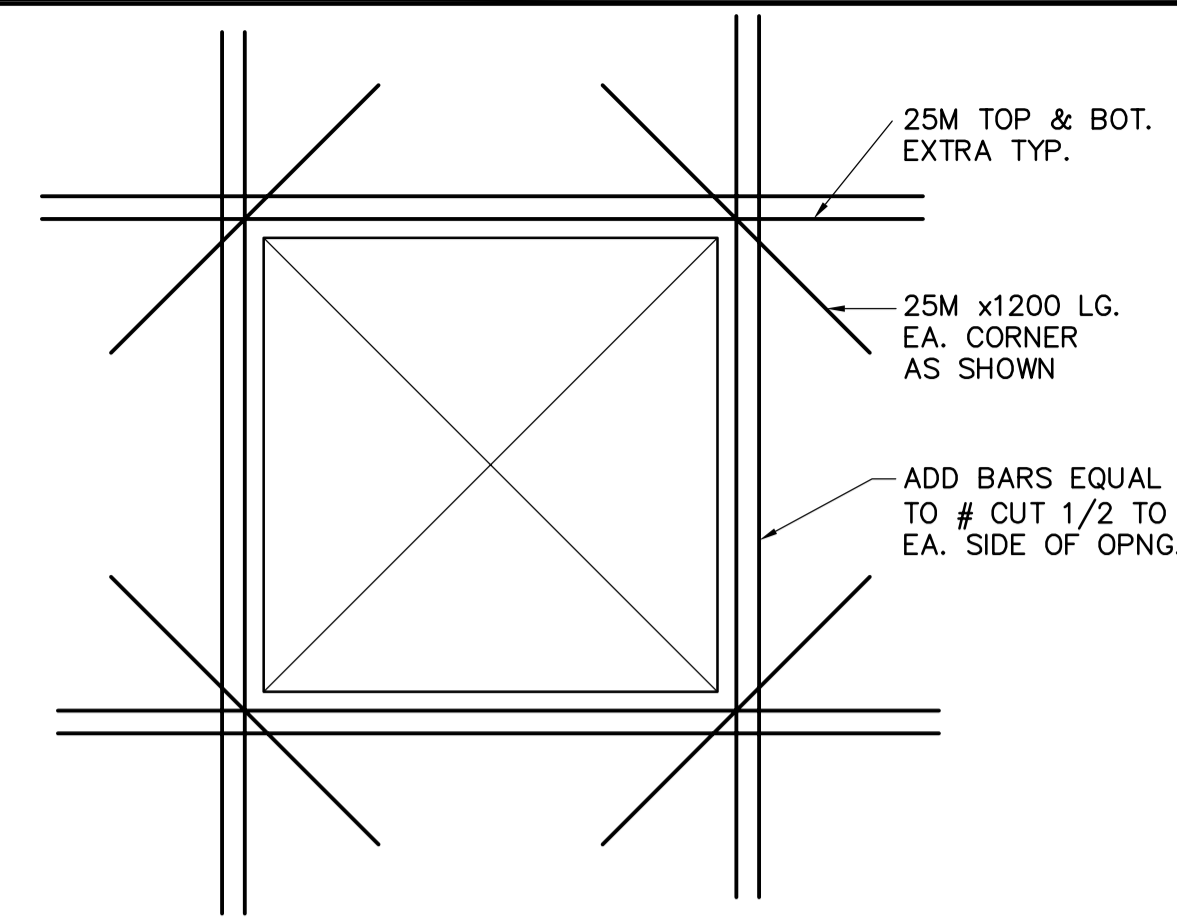
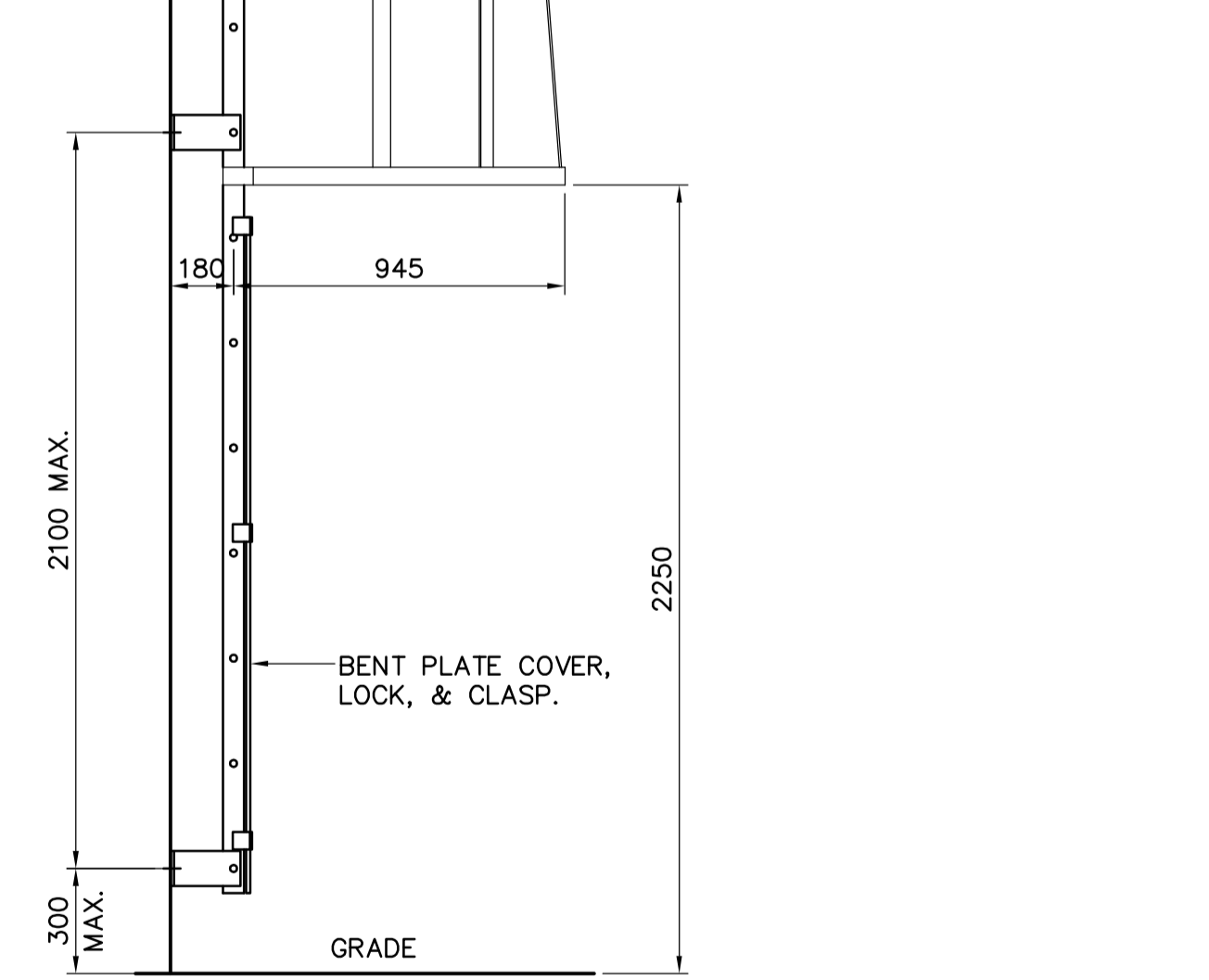
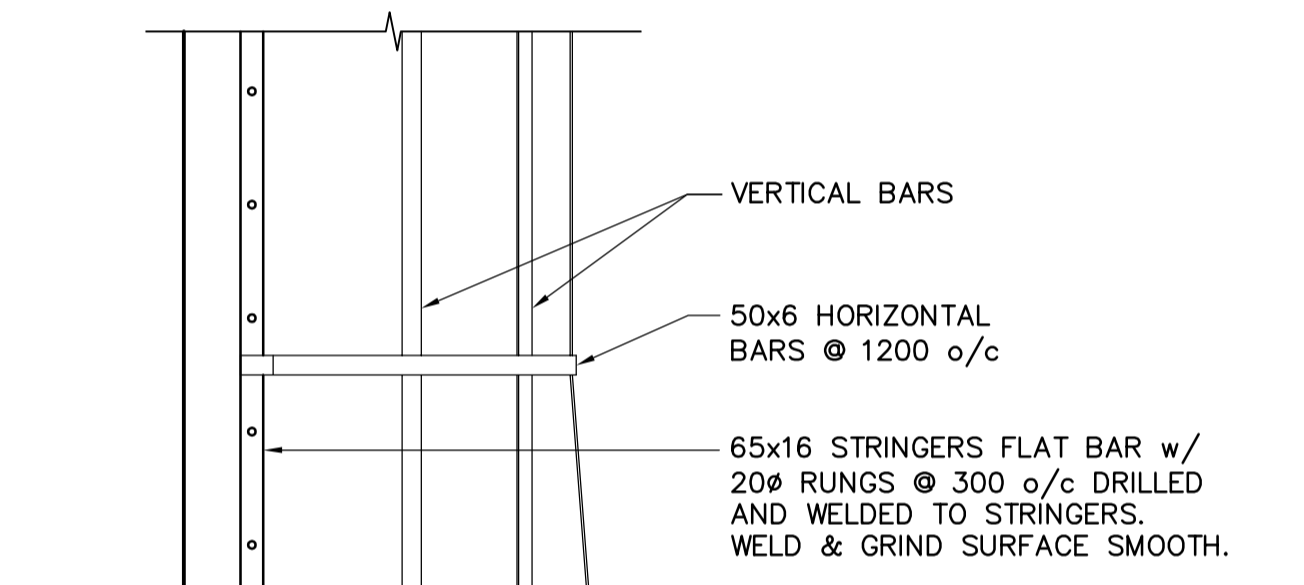
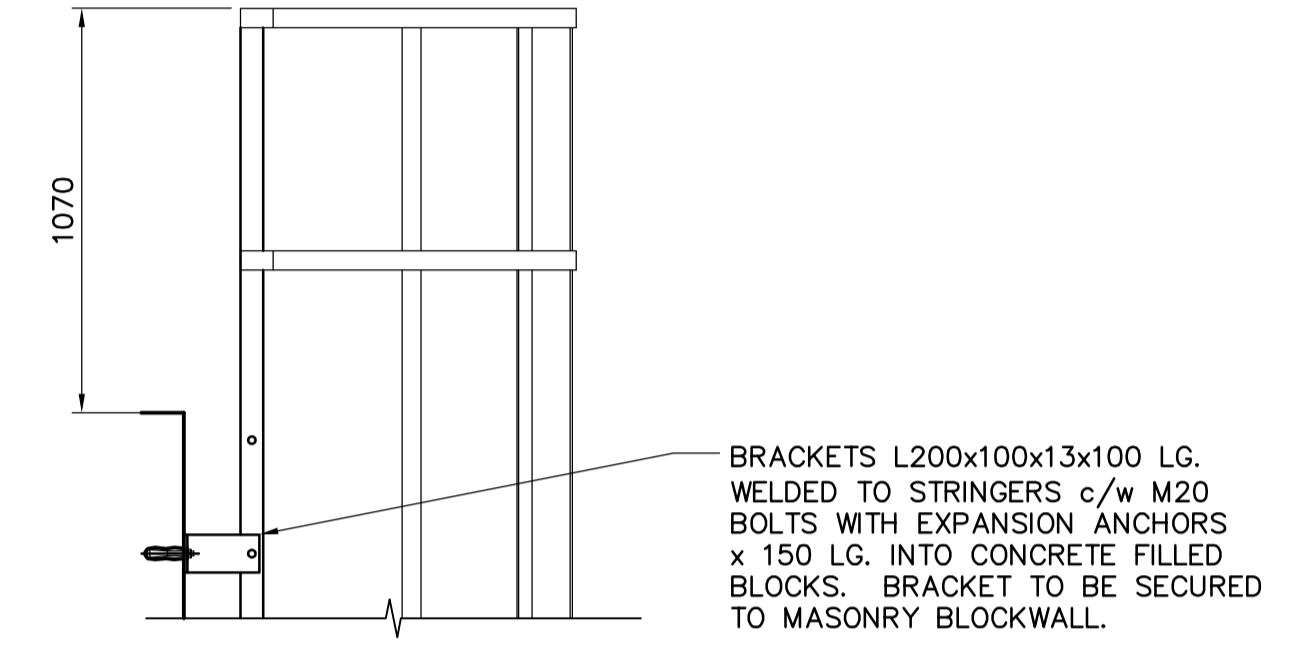
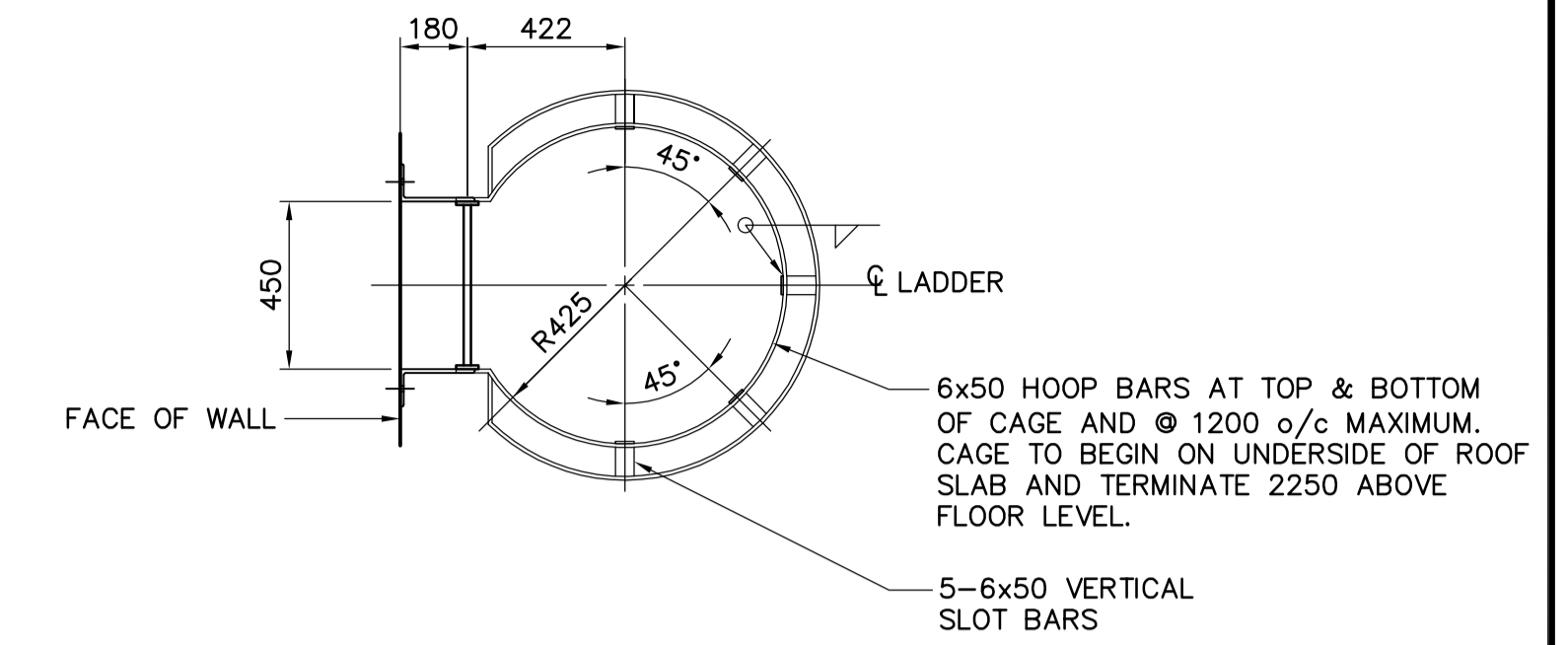


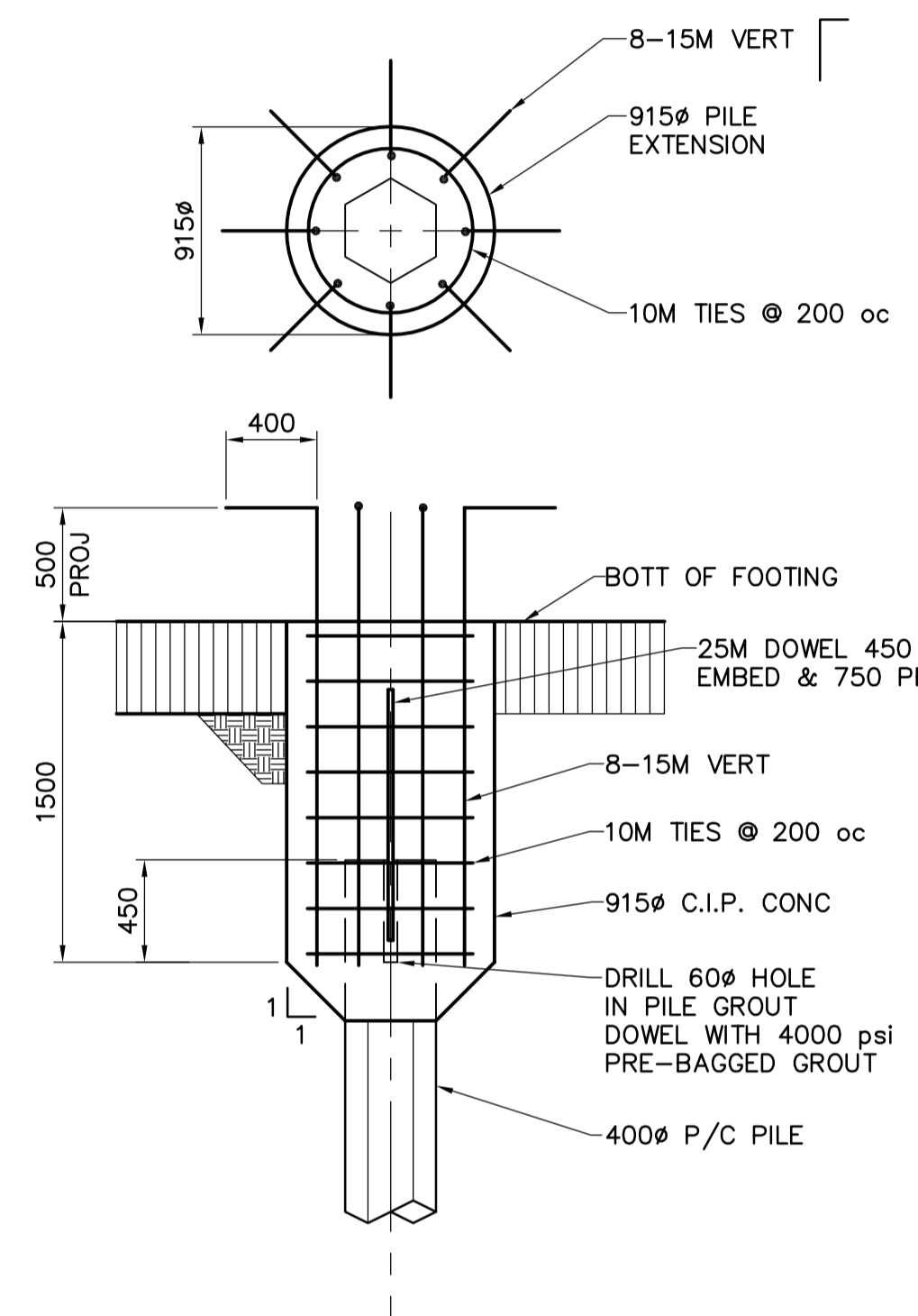
HOUSE KEEPING PADS FOR EQUIPMENT ON STRUCTURAL SLAB
SCALE N.T.S.



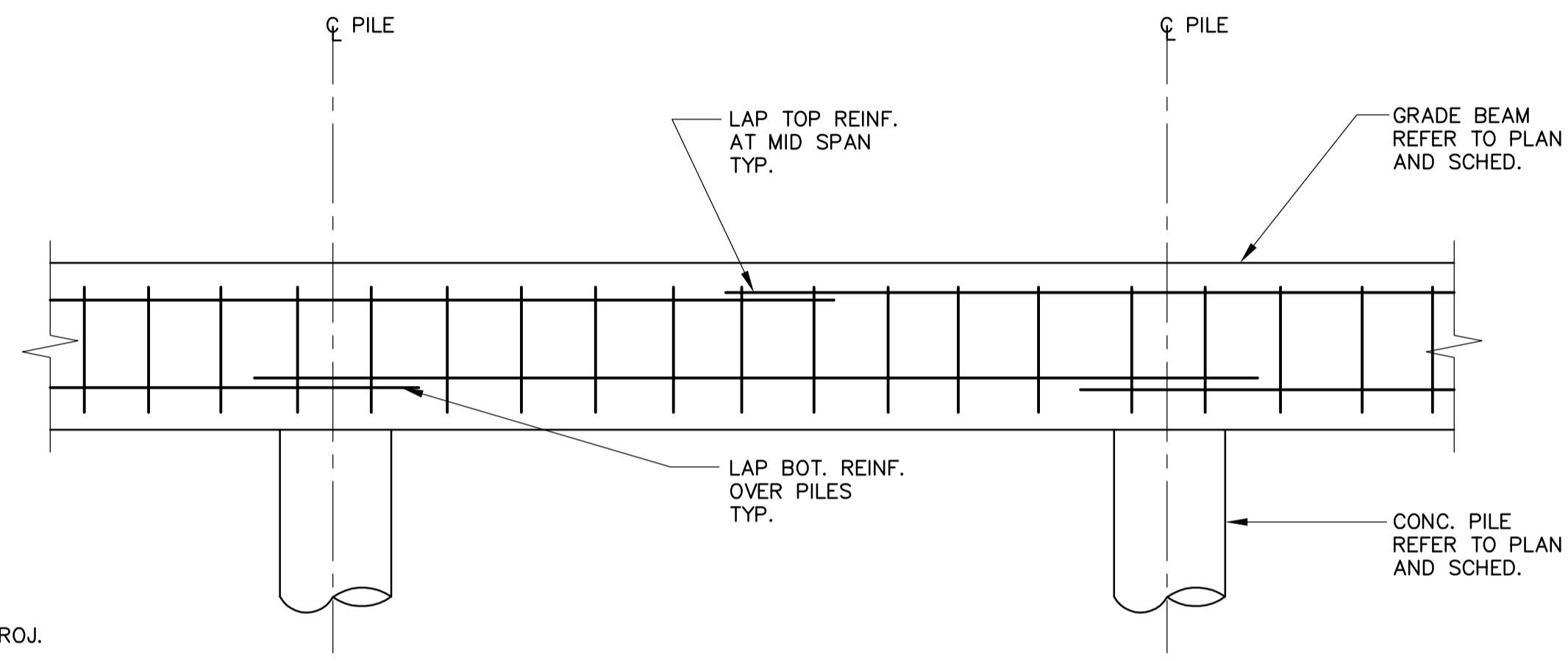
TYPICAL REINFORCING AROUND OPENINGS IN CONCRETE SLAB OR WALL
SCALE N.T.S.



ALUMINUM LADDER AND CAGE DETAIL
SCALE N.T.S.

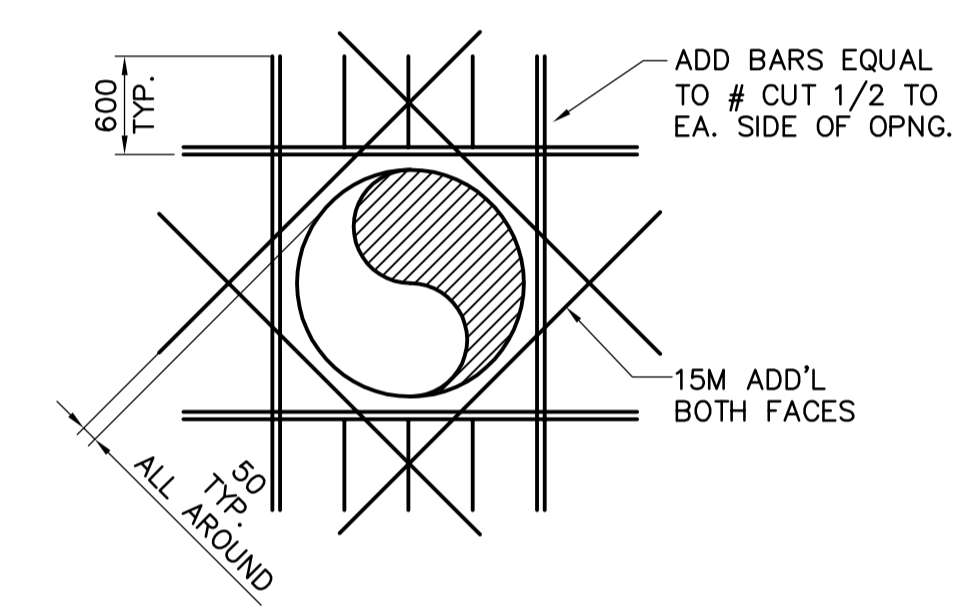


TYPE 1 - PILE EXTENSION DETAIL
N.T.S.

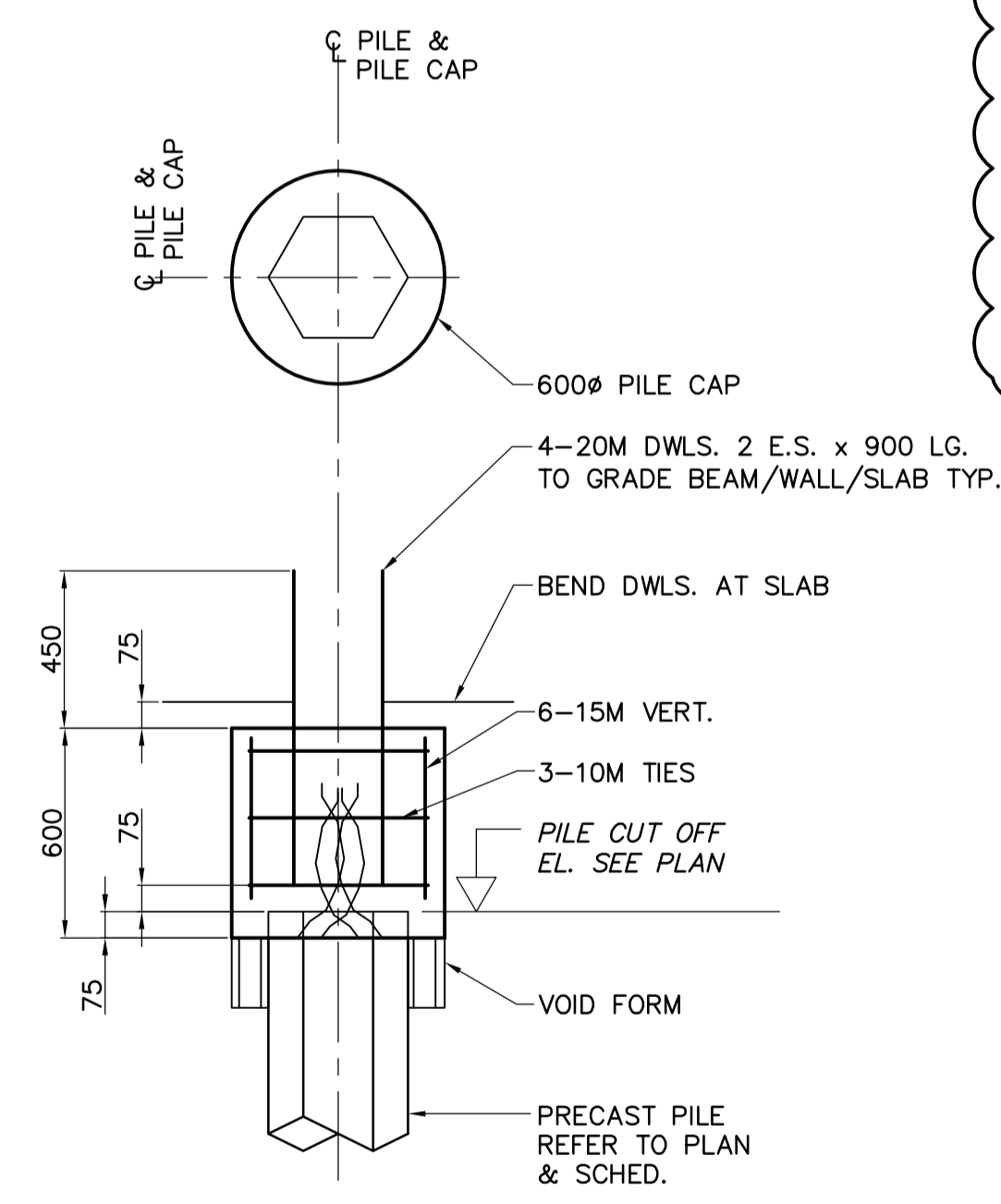


GRADE BEAM SPLICE DETAIL
SCALE N.T.S.

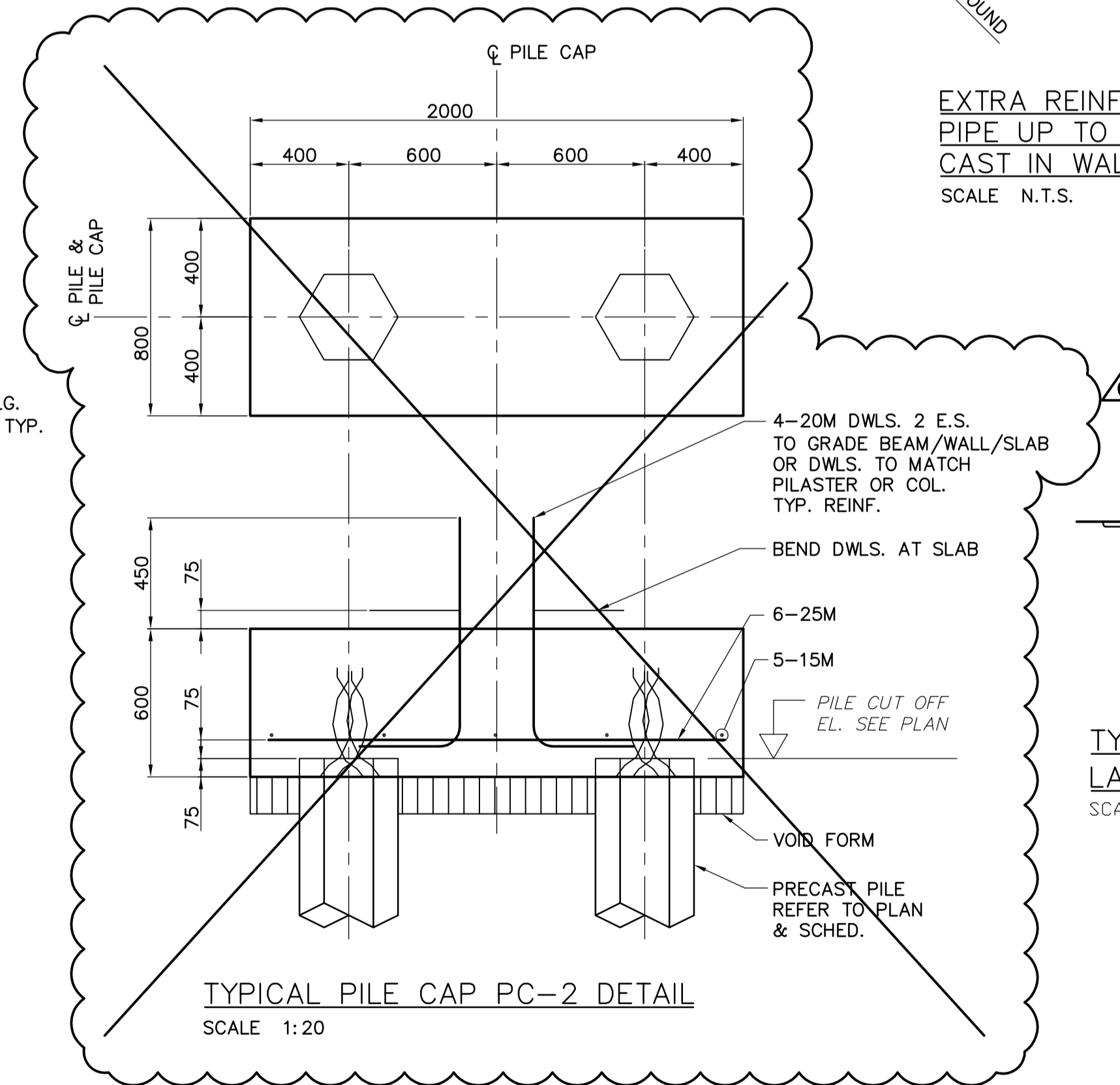
1. NUMBER OF REINFORCING BARS TO BE CUT AT OPENING TO BE KEPT AT A MINIMUM. REPLACE CUT BARS WITH BARS OF SAME SIZE, HALF TO EACH SIDE OF OPENING. DEFLECT AS MANY BARS AS POSSIBLE AROUND OPENING.
2. REINFORCING BARS TO BE KEPT MINIMUM 50 CLEAR OF OPENING.
3. CIRCULAR OPENINGS TO BE TREATED IN SAME MANNER AS RECTANGULAR UNLESS OTHERWISE DETAILED.



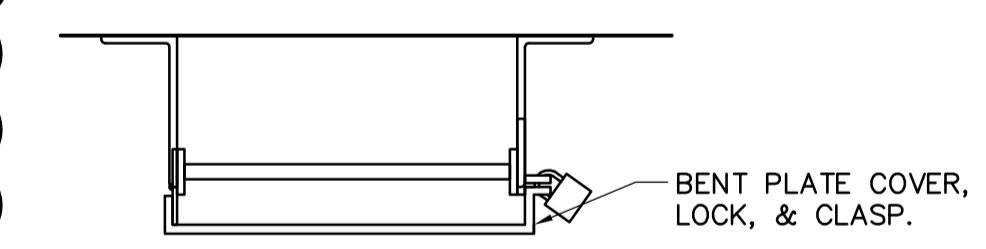
EXTRA REINFORCING AROUND PIPE UP TO 1250# MAX. CAST IN WALL OR FLOOR SLAB
SCALE N.T.S.



TYPICAL PILE CAP PC-1 DETAIL
SCALE 1:20



TYPICAL PILE CAP PC-2 DETAIL
SCALE 1:20



TYPICAL LOCKABLE LADDER COVER
SCALE N.T.S.



B.M. ELEV.					
DESIGNED BY	AP/GGP	CHECKED BY	MK		
DRAWN BY	KK	APPROVED BY	AHL		
SCALE:	AS SHOWN	RELEASED FOR CONSTRUCTION BY:	R. SOROKOWSKI		
NO. REVISIONS	DATE	BY	DATE	2006/06/16	2006/08/30

ENGINEER'S SEAL	
ORIGINAL SIGNED BY	A. POCHANART
	2006/08/30
CONSULTANT DRAWING NO.	WG-S0003

THE CITY OF WINNIPEG WATER AND WASTE DEPARTMENT ENGINEERING DIVISION	
WATER TREATMENT PLANT STANDBY POWER GENERATOR	CITY FILE NUMBER SHEET OF
STRUCTURAL STANDARD DETAILS	CITY DRAWING NUMBER 1-0601G-A-S0003-001-01D