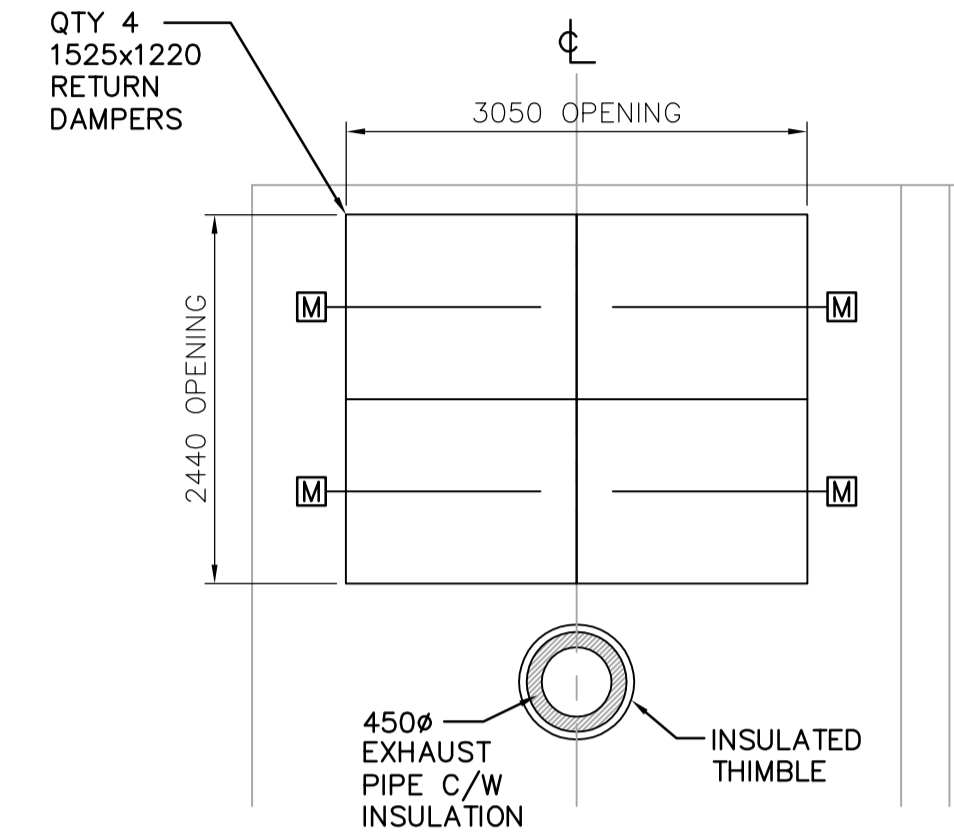


**G SECTION**  
WG-H0120 1:50



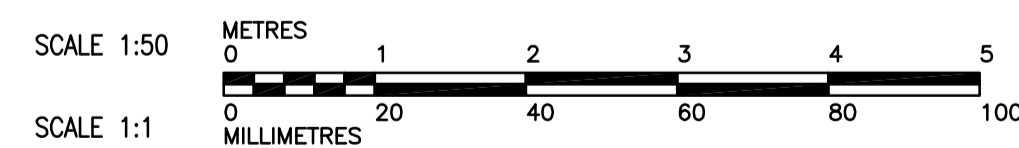
**H SECTION (TYPICAL FOR RETURN DAMPERS)**  
WG-H0120 1:50

**DRAWING NOTES**

- 1 13mm SQUARE WIRE MESH WELDED TO END.
- 2 EXHAUST PIPE AND MUFFLER INSULATION SUPPLIED BY DIVISION 15 CONTRACTOR.
- 3 CONDENSATE DRAIN PIPE FROM GENERATOR EXHAUST MUFFLER C/W A BALL VALVE TO PAIL ON FLOOR. INCLUDE 5 GALLON PLASTIC PAIS IN CONTRACT (TYPICAL 3).

**GENERAL NOTES**

- 1. COORDINATE WITH OTHER TRADES SO AS TO PREVENT CONFLICTS.
- 2. ALL DUCTWORK SHALL BE SUPPORTED AND SUSPENDED AS PER SPECIFICATIONS AND LOCAL CODES (SEE DETAILS).



B.M. ELEV.		<b>CH2M HILL</b> Frederickson Cooper ARCHITECTS		<b>EarthTech</b> A Tyco International Ltd. Company	
DESIGNED BY	AB/LJW	CHECKED BY	AMA, PVL	ENGINEER'S SEAL	
DRAWN BY	LJW	APPROVED BY	AHL	ORIGINAL SIGNED BY	
SCALE:	AS NOTED	RELEASED FOR CONSTRUCTION BY:	R. SOROKOWSKI	A. BURACHYNSKY	
NO. REVISIONS	DATE	BY	DATE	2006/08/30	
01	498-2006 ADDENDUM 4	06/10/10	DC	CONSULTANT DRAWING NO. WG-H0204	
00	ISSUED FOR TENDER	06/08/28	LJW		
				2006/05/29	

**THE CITY OF WINNIPEG**  
WATER AND WASTE DEPARTMENT  
ENGINEERING DIVISION

WATER TREATMENT PLANT  
STANDBY POWER GENERATOR

MECHANICAL  
VENTILATION SECTIONS

CITY FILE NUMBER  
SHEET OF  
CITY DRAWING NUMBER  
1-0601G-A-H0204-001-01D