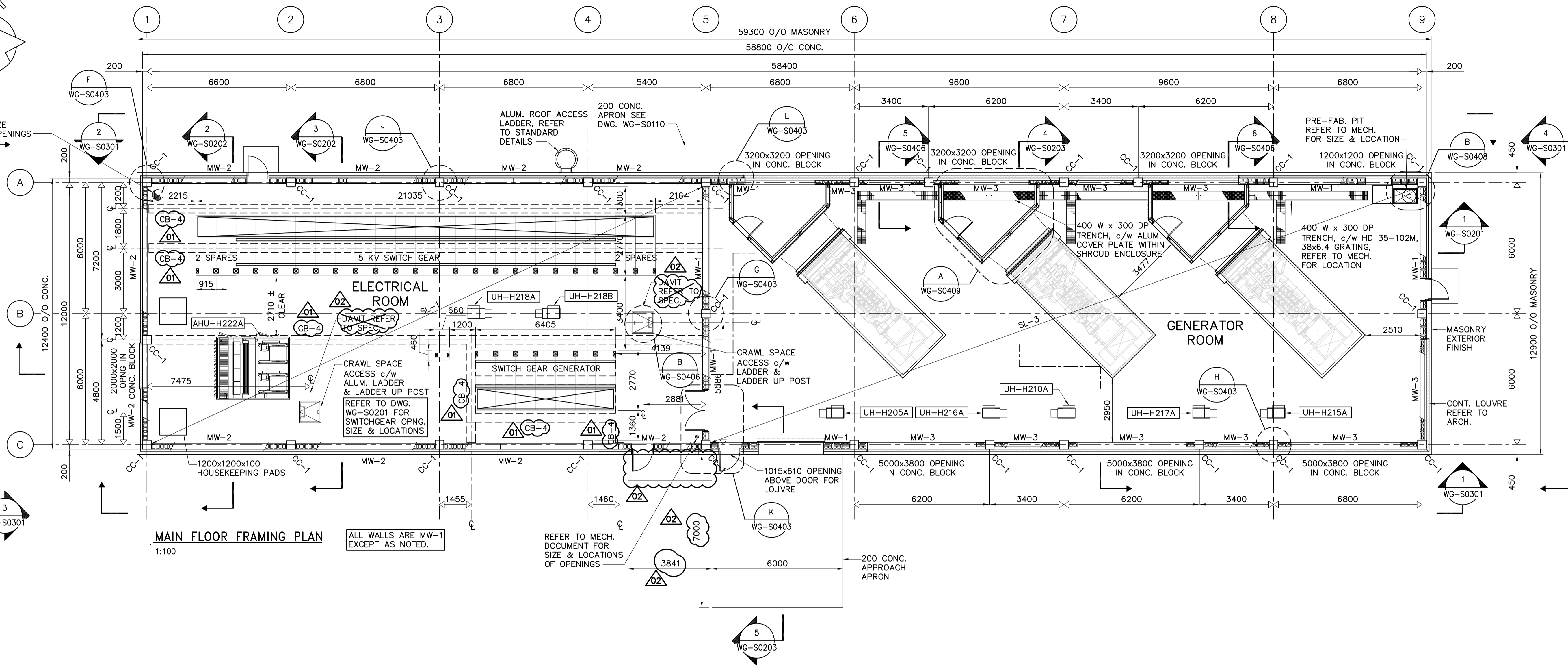


REFER TO MECH. DOCUMENT FOR SIZE & LOCATION OF OPENINGS

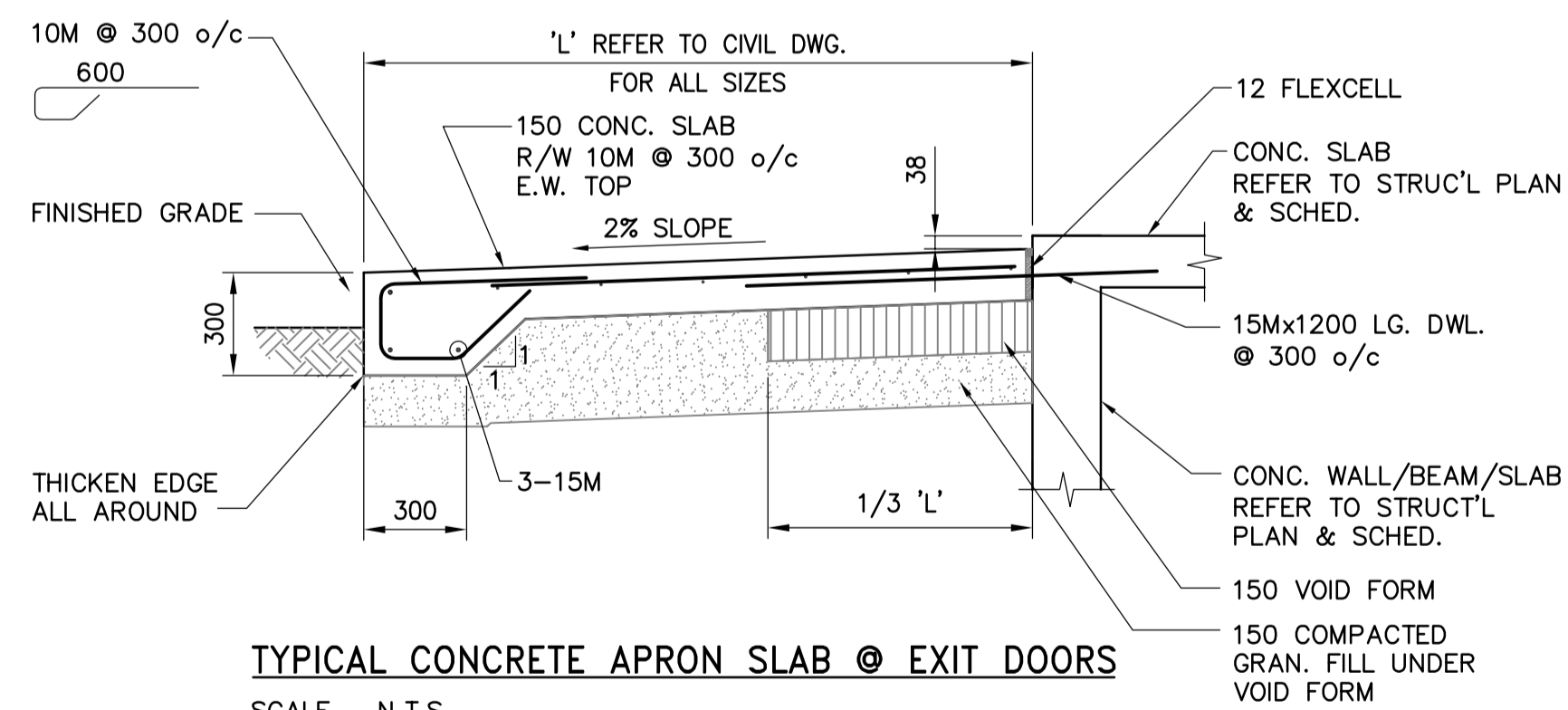


MAIN FLOOR FRAMING PLAN
1:100

ALL WALLS ARE MW-1 EXCEPT AS NOTED.

REFER TO MECH. DOCUMENT FOR SIZE & LOCATION OF OPENINGS

DESIGN LOADS:			
ELECTRICAL ROOM			
A.) DEAD LOADS:	.1) STRUCTURE SELF WEIGHT		
	.2) SUPERIMPOSED =	0.75 kPa	
	.3) SWITCH GEAR (EACH UNIT) =	1,350 kg	
B.) LIVE LOADS:	.1) OCCUPANCY (ELECT., SAMPLE & CONTROL RMS)	4.8 kPa	
	.2) OCCUPANCY (BLOWER RM.)	4.8 kPa	
C.) CONCENTRATED LOADS:		36 kN	
GENERATOR ROOM			
A.) DEAD LOADS:	.1) STRUCTURE SELF WEIGHT		
	.2) SUPERIMPOSED =	0.25 kPa	
B.) LIVE LOADS:	.1) OCCUPANCY	4.8 kPa	
C.) CONCENTRATED LOADS:		54 kN	



TYPICAL CONCRETE APRON SLAB @ EXIT DOORS

SCALE N.T.S.
BUILDING SLAB/WALL & BEAM REINFORCING NOT SHOWN FOR CLARITY.



 Frederickson Cooper ARCHITECTS	 A Tyco International Ltd. Company	ENGINEER'S SEAL	 WATER AND WASTE DEPARTMENT ENGINEERING DIVISION	CITY FILE NUMBER		
		DESIGNED BY AP/GGP		CHECKED BY MK	A. POCHANART	SHEET OF
		DRAWN BY KK		APPROVED BY AHL	2006/08/30	CITY DRAWING NUMBER
		SCALE: AS SHOWN		RELEASED FOR CONSTRUCTION BY: R. SOROKOWSKI	CONSULTANT DRAWING NO. WG-S0110	1-0601G-A-S0110-001-020
B.M. ELEV. NO. REVISIONS DATE BY	DATE 2006/06/16	DATE 2006/08/30	WATER TREATMENT PLANT STANDBY POWER GENERATOR STRUCTURAL MAIN FLOOR FRAMING PLAN			