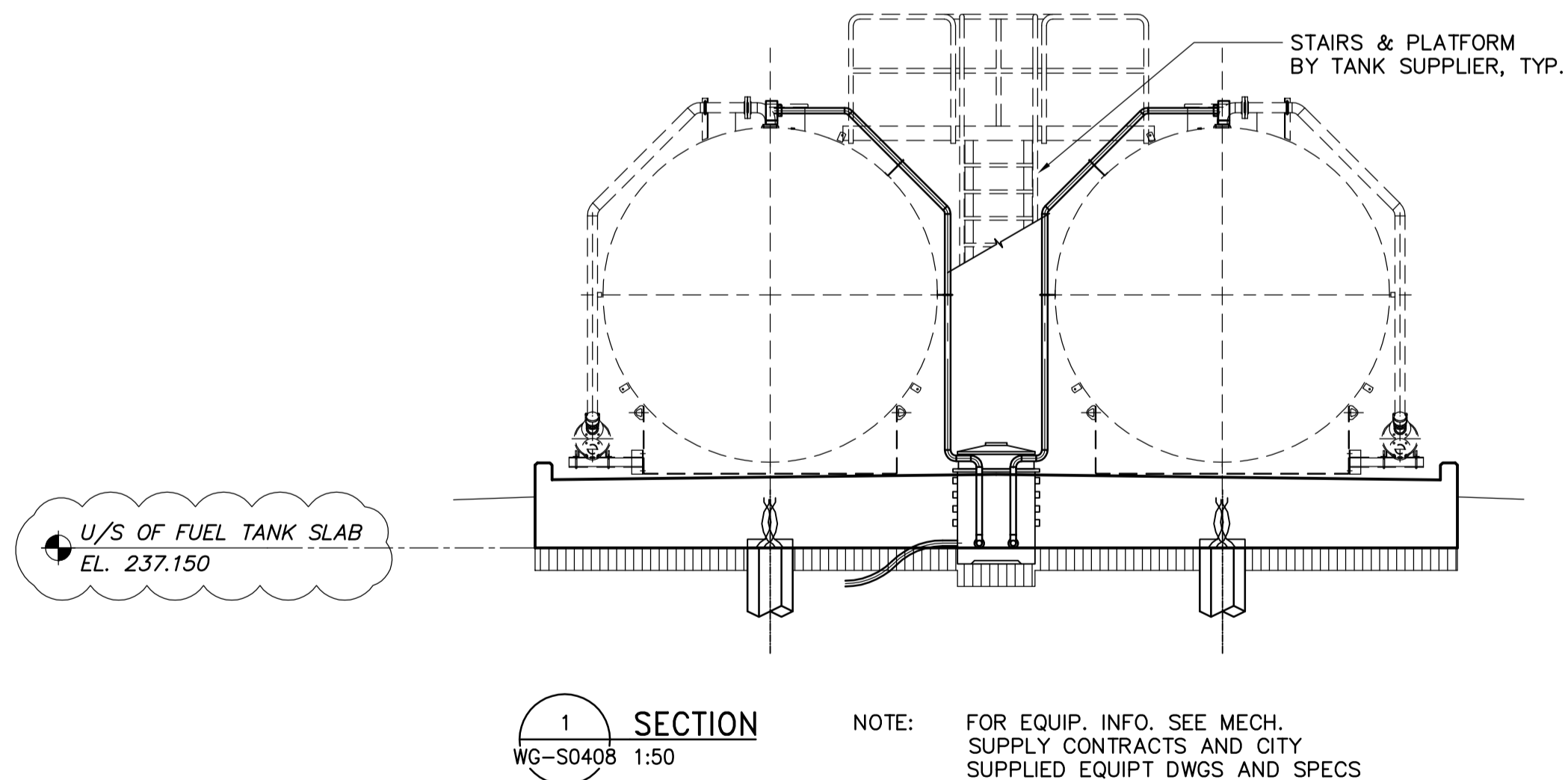
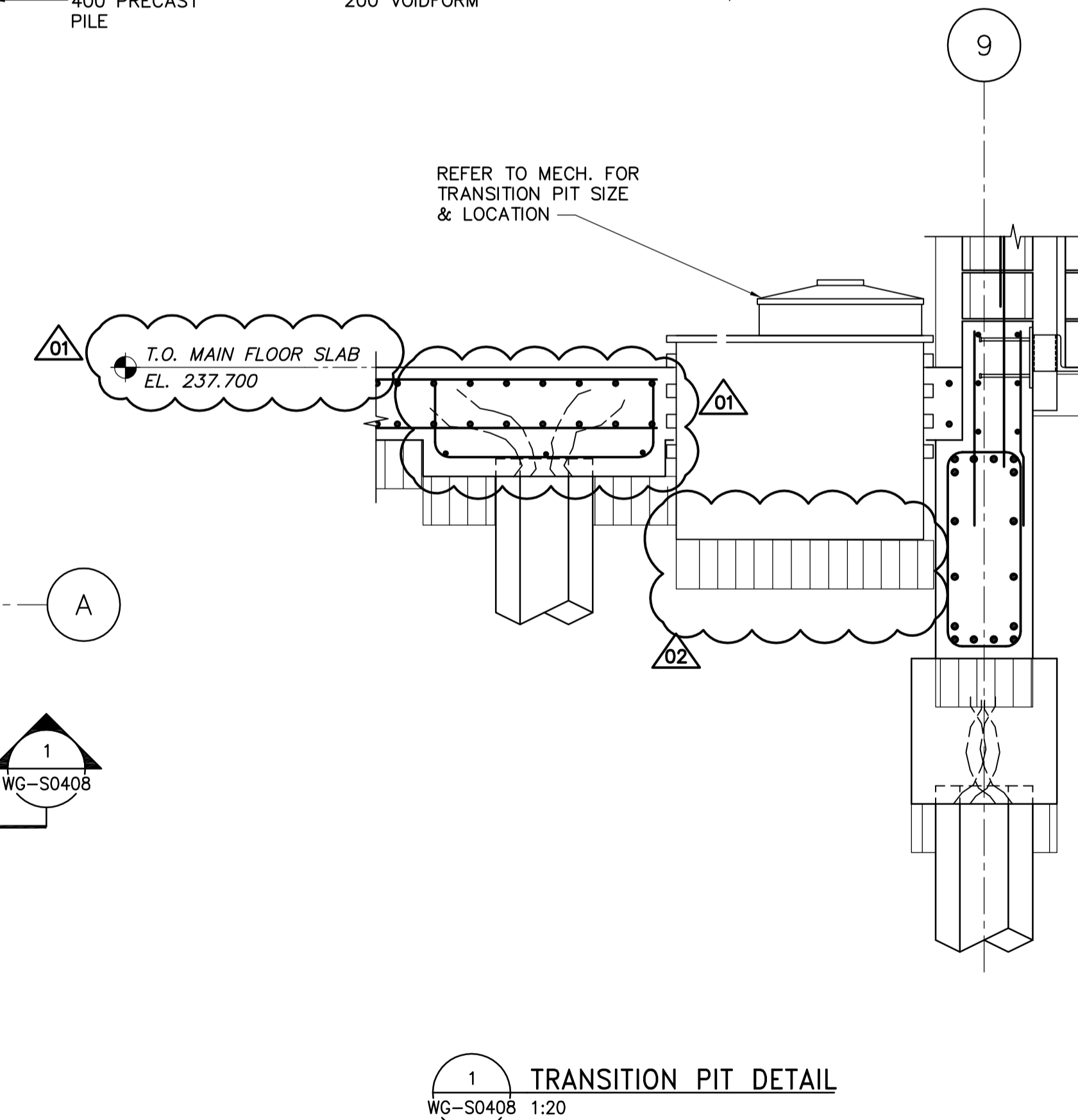


**A** DETAIL TYP.  
WG-S0408 1:20



**B** TRANSITION PIT PLAN DETAIL  
WG-S0110 1:20



B.M. ELEV.	CH2MHILL Frederickson Cooper ARCHITECTS		EarthTech A Tyco International Ltd. Company	
	DESIGNED BY: AP/GGP	CHECKED BY: MK	ENGINEER'S SEAL	
	DRAWN BY: KK	APPROVED BY: AHL	ORIGINAL SIGNED BY: A. POCHANART	
	SCALE: AS SHOWN	RELEASED FOR CONSTRUCTION BY: R. SOROKOWSKI	2006/08/30	
02 498-2006 ADDENDUM 6 06/10/16 KK	DATE	DATE	CONSULTANT DRAWING NO. WG-S0408	
01 498-2006 ADDENDUM 2 06/09/22 KK	DATE	DATE		
00 ISSUED FOR TENDER 06/08/28 KK	DATE	DATE		
NO. REVISIONS	DATE	DATE		
	2006/06/16	2006/08/30		

<b>THE CITY OF WINNIPEG</b> WATER AND WASTE DEPARTMENT ENGINEERING DIVISION	
WATER TREATMENT PLANT STANDBY POWER GENERATOR	CITY FILE NUMBER SHEET OF
STRUCTURAL FUEL TANKS SECTIONS & DETAILS	CITY DRAWING NUMBER 1-0601G-A-S0408-001-02D