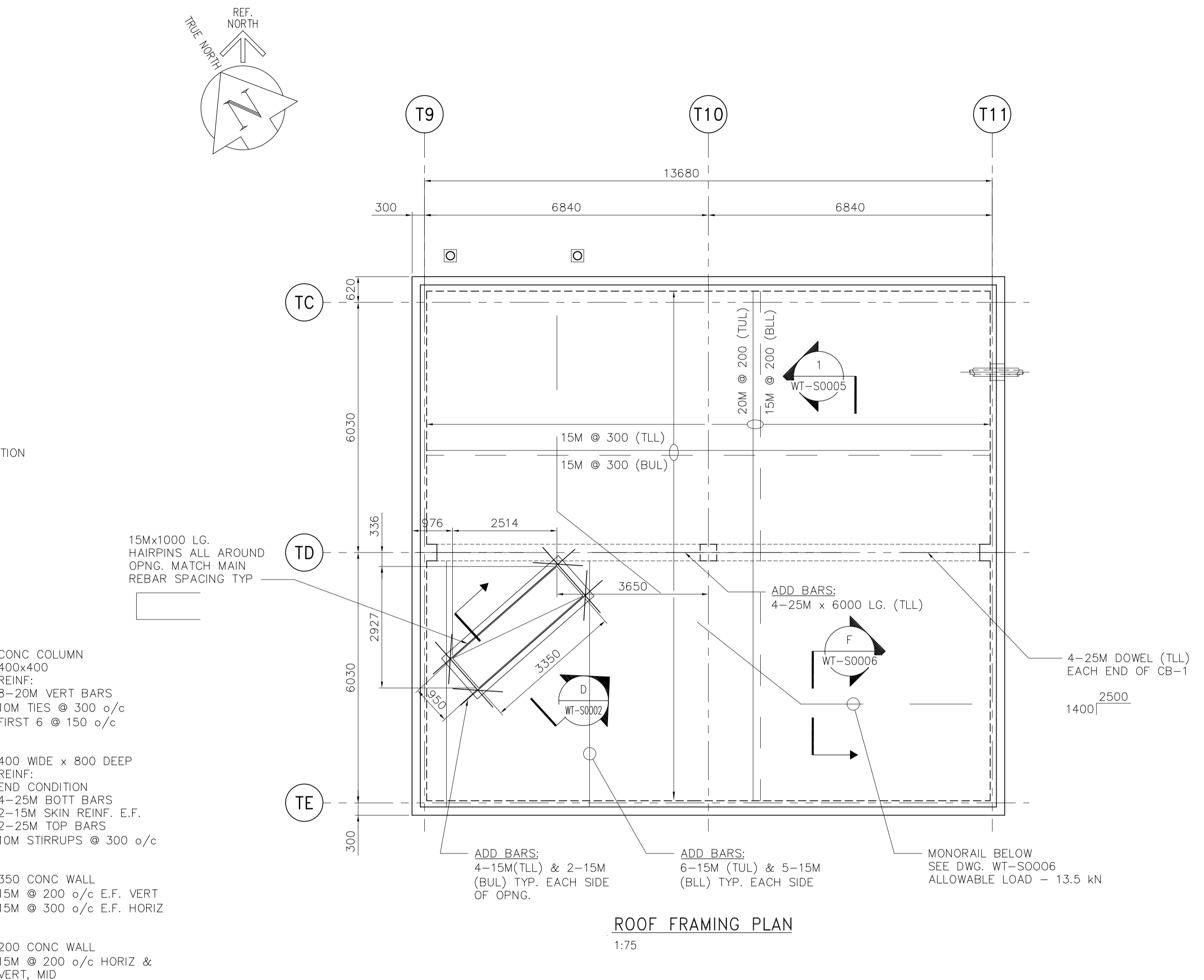
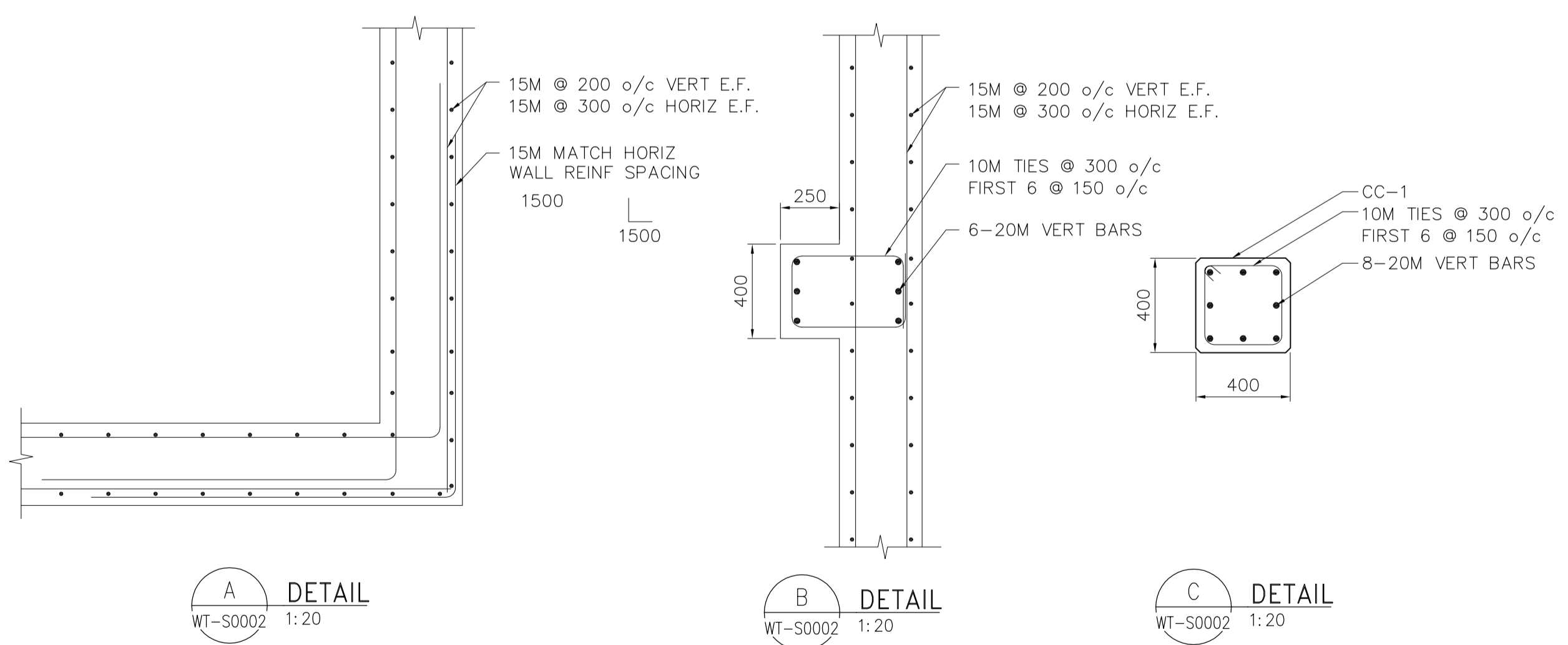


MAIN FLOOR FRAMING PLAN
1:75



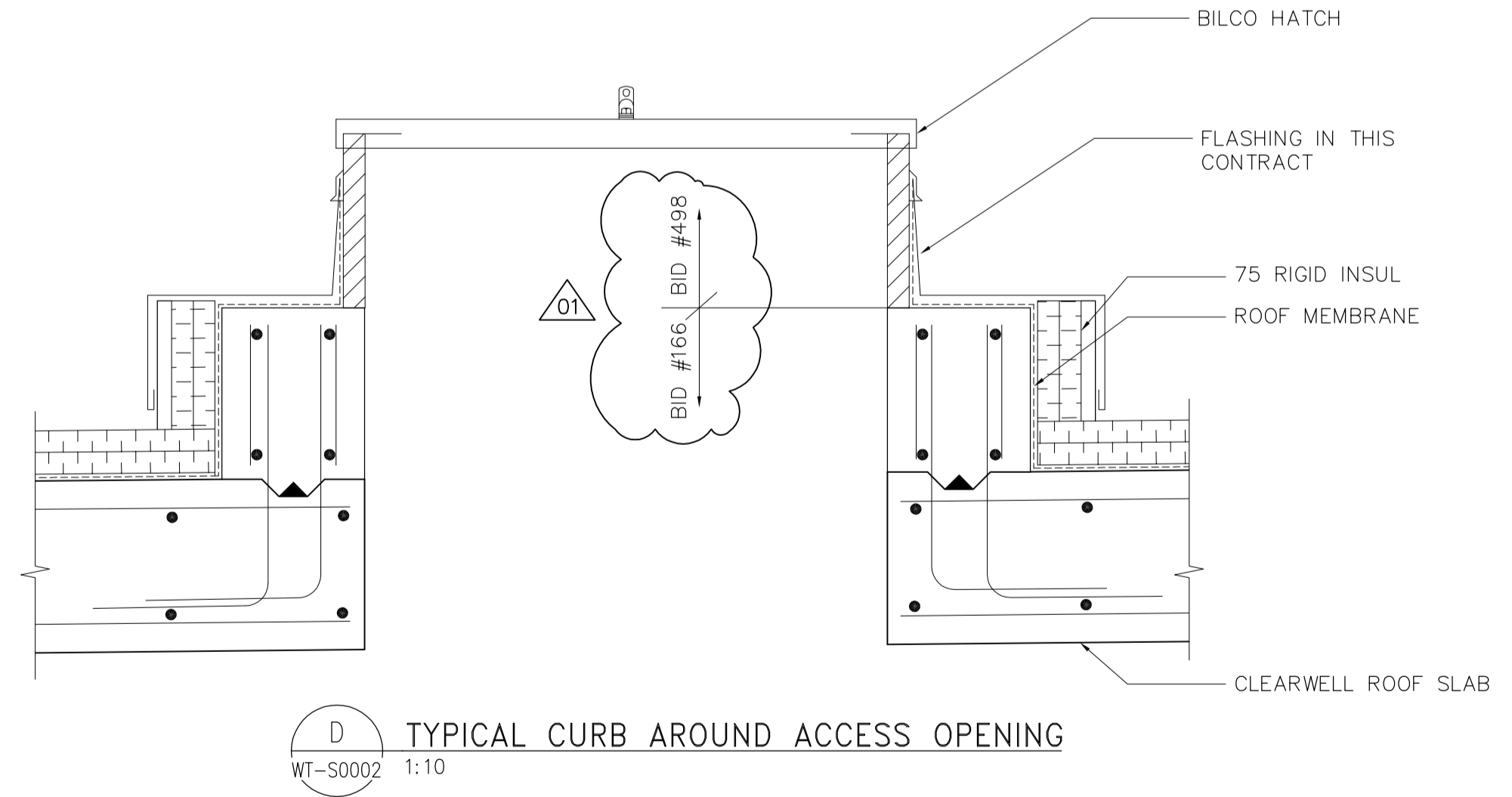
ROOF FRAMING PLAN
1:75



A DETAIL
WT-S0002 1:20

B DETAIL
WT-S0002 1:20

C DETAIL
WT-S0002 1:20



D TYPICAL CURB AROUND ACCESS OPENING
WT-S0002 1:10



| | | | | | |
|------------------------|---|----------|---|---------------|---------------------------------|
| B.M. ELEV. | CH2MHILL Frederickson Cooper ARCHITECTS | | EarthTech A Tyco International Ltd. Company | | ENGINEER'S SEAL |
| | DESIGNED BY | RE | CHECKED BY | MK | ORIGINAL SIGNED BY |
| | DRAWN BY | WDB | APPROVED BY | AHL | R. ERIC |
| | SCALE: | AS NOTED | RELEASED FOR CONSTRUCTION BY: | R. SOROKOWSKI | 2006/08/30 |
| 01 498-2006 ADDENDUM 6 | 06/10/16 | KK | DATE | 2005/12/21 | DATE |
| 00 ISSUED FOR TENDER | 06/08/28 | WDB | DATE | 2006/08/30 | DATE |
| NO. REVISIONS | DATE | BY | DATE | 2005/12/21 | DATE |
| | | | | | CONSULTANT DRAWING NO. WT-S0002 |

THE CITY OF WINNIPEG
WATER AND WASTE DEPARTMENT
ENGINEERING DIVISION

Winnipeg

WATER TREATMENT PLANT
TREATED WATER STORAGE
INLET BUILDING

STRUCTURAL PLANS

CITY FILE NUMBER
SHEET OF
CITY DRAWING NUMBER
1-0601T-A-S0002-001-0D