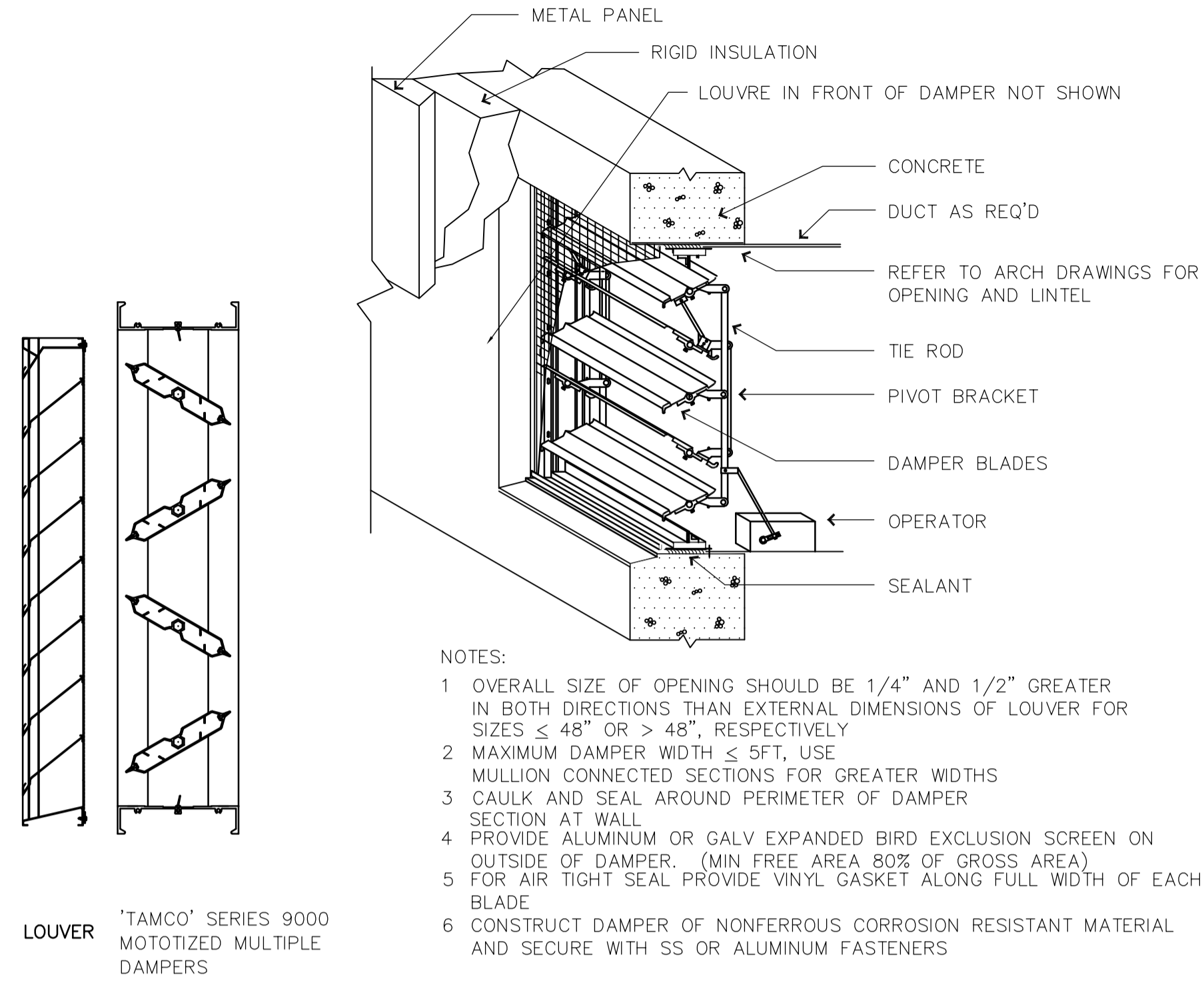
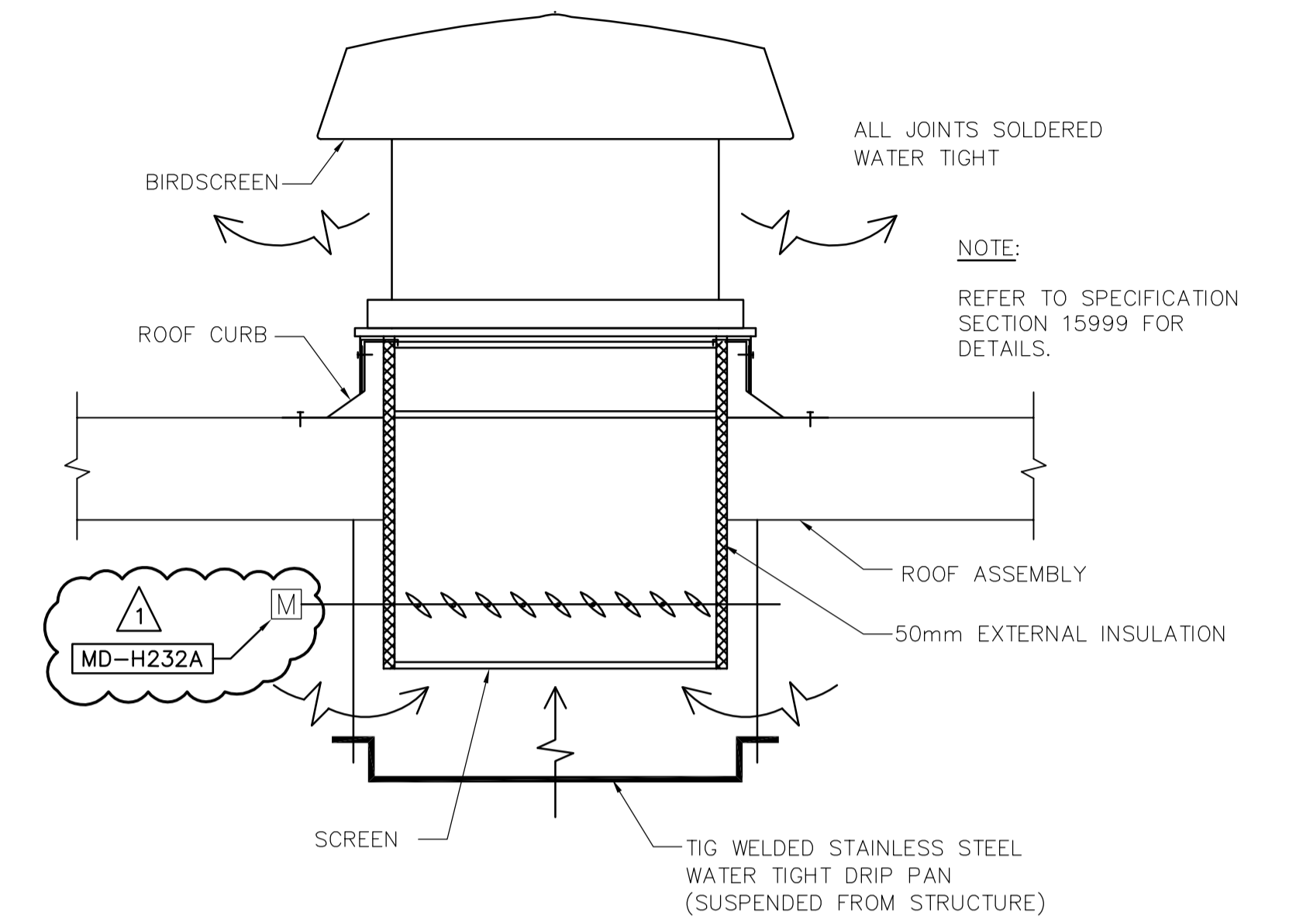


1 WALL MOUNTED EXHAUST FAN DETAIL
N.T.S.

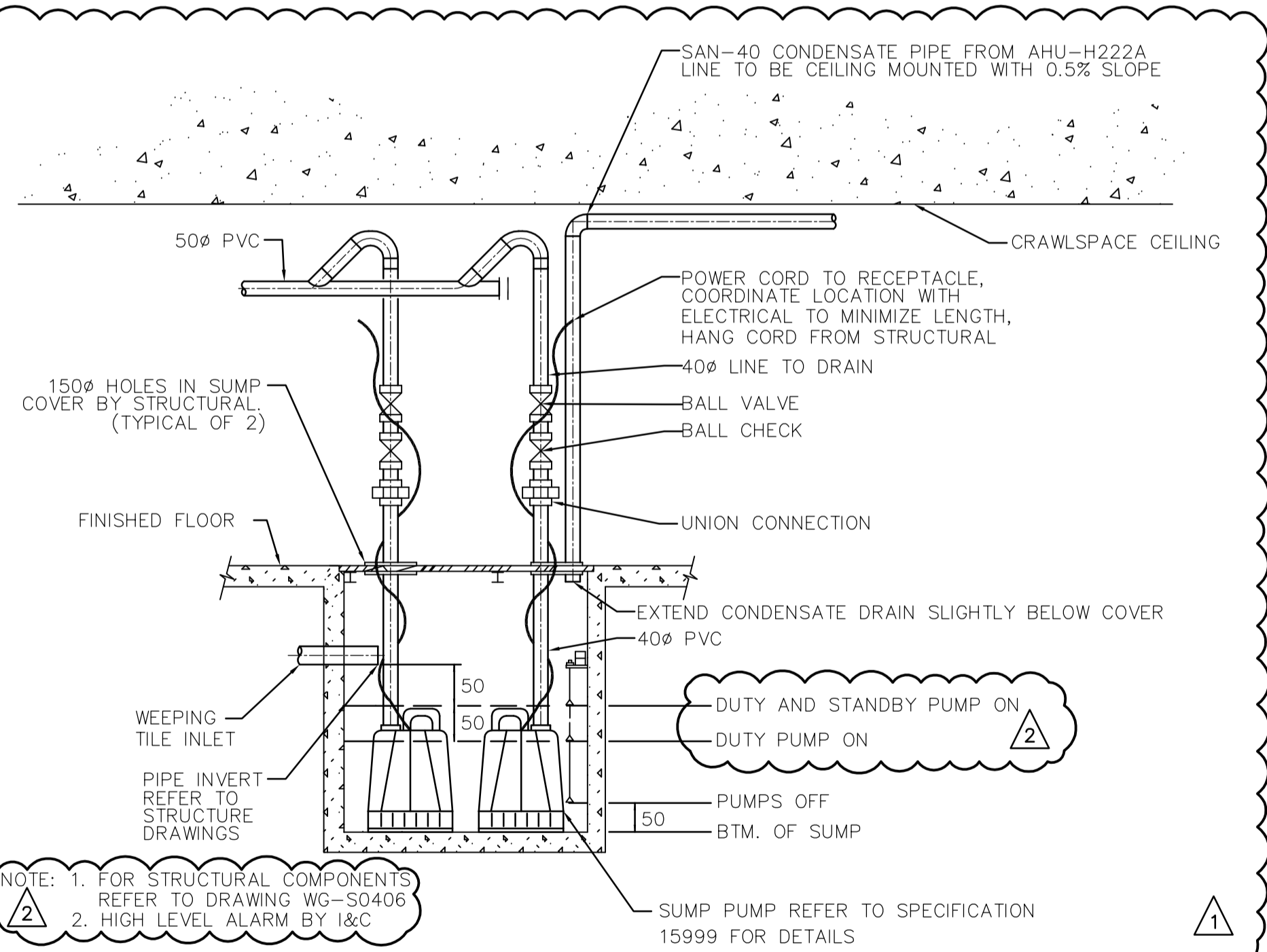


- NOTES:
- 1 OVERALL SIZE OF OPENING SHOULD BE 1/4" AND 1/2" GREATER IN BOTH DIRECTIONS THAN EXTERNAL DIMENSIONS OF LOUVER FOR SIZES ≤ 48" OR > 48", RESPECTIVELY
 - 2 MAXIMUM DAMPER WIDTH ≤ 5FT, USE MULLION CONNECTED SECTIONS FOR GREATER WIDTHS
 - 3 CAULK AND SEAL AROUND PERIMETER OF DAMPER SECTION AT WALL
 - 4 PROVIDE ALUMINUM OR GALV EXPANDED BIRD EXCLUSION SCREEN ON OUTSIDE OF DAMPER. (MIN FREE AREA 80% OF GROSS AREA)
 - 5 FOR AIR TIGHT SEAL PROVIDE VINYL GASKET ALONG FULL WIDTH OF EACH BLADE
 - 6 CONSTRUCT DAMPER OF NONFERROUS CORROSION RESISTANT MATERIAL AND SECURE WITH SS OR ALUMINUM FASTENERS

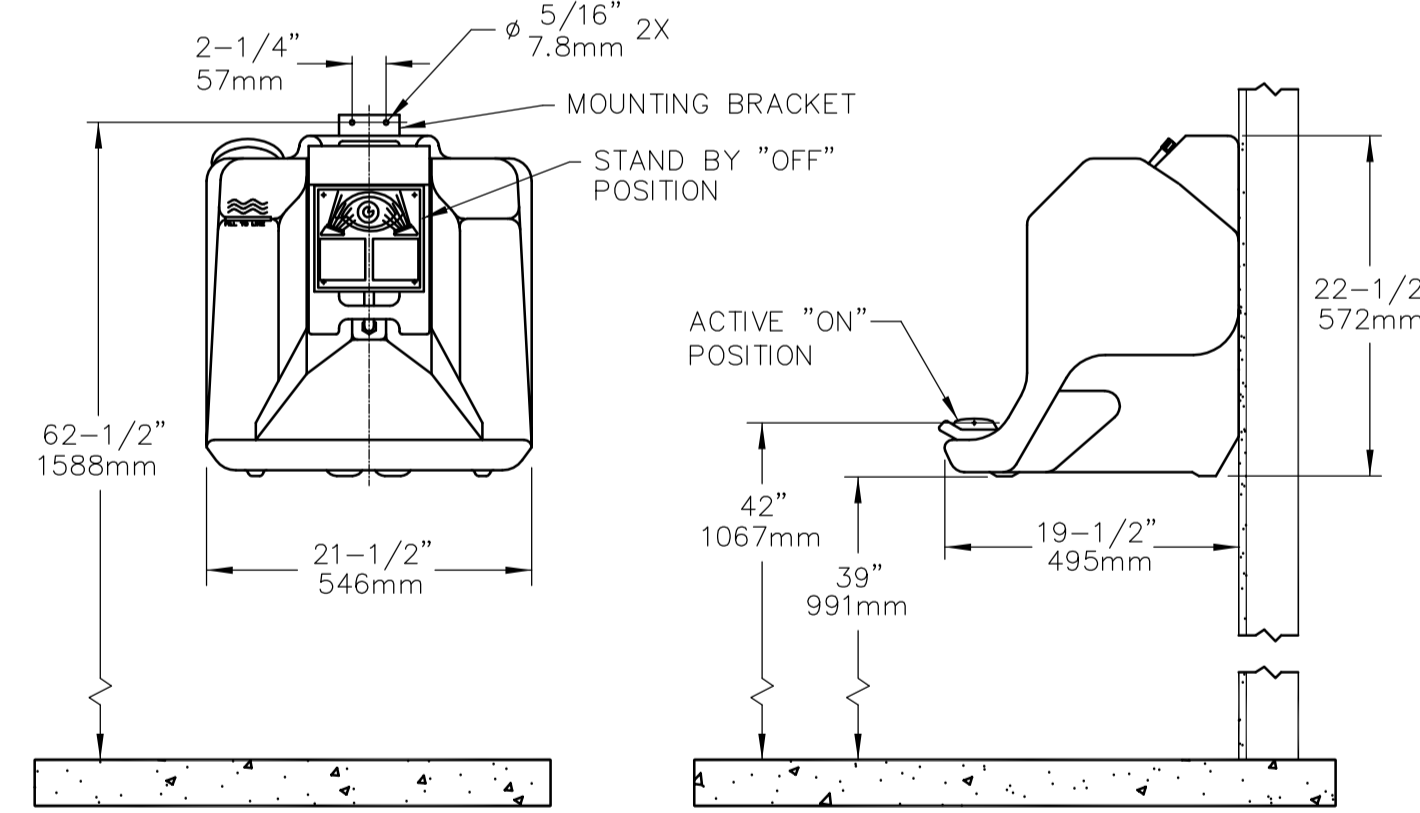
2 LOUVER AND DAMPER IN MASONRY WALL
N.T.S.



5 GRAVITY RELIEF HOOD DETAIL
N.T.S.



3 SANITARY PUMP DETAIL
N.T.S.



THESE ROUGH-IN DIMENSIONS MAY VARY 1" [25mm]

4 PORTABLE EYE WASH DETAIL (EEW)
N.T.S.



B.M. ELEV.			
DESIGNED BY	AB/LJW	CHECKED BY	AMA, PVL
DRAWN BY	LJW	APPROVED BY	AHL
SCALE:	N.T.S.	RELEASED FOR CONSTRUCTION BY:	R. SOROKOWSKI
NO. REVISIONS	DATE	BY	DATE
02	498-2006 ADDENDUM 7	06/10/19	DC
01	498-2006 ADDENDUM 4	06/10/10	DC
00	ISSUED FOR TENDER	06/08/28	LJW
DATE	2006/05/29	DATE	2006/08/30



ENGINEER'S SEAL

ORIGINAL SIGNED BY

A. BURACHYNSKY

2006/08/30

CONSULTANT DRAWING NO.

WG-H0402



WATER TREATMENT PLANT
STANDBY POWER GENERATOR

MECHANICAL

STANDARD DETAIL

CITY FILE NUMBER

SHEET OF

CITY DRAWING NUMBER

1-0601G-A-H0402-001-02D