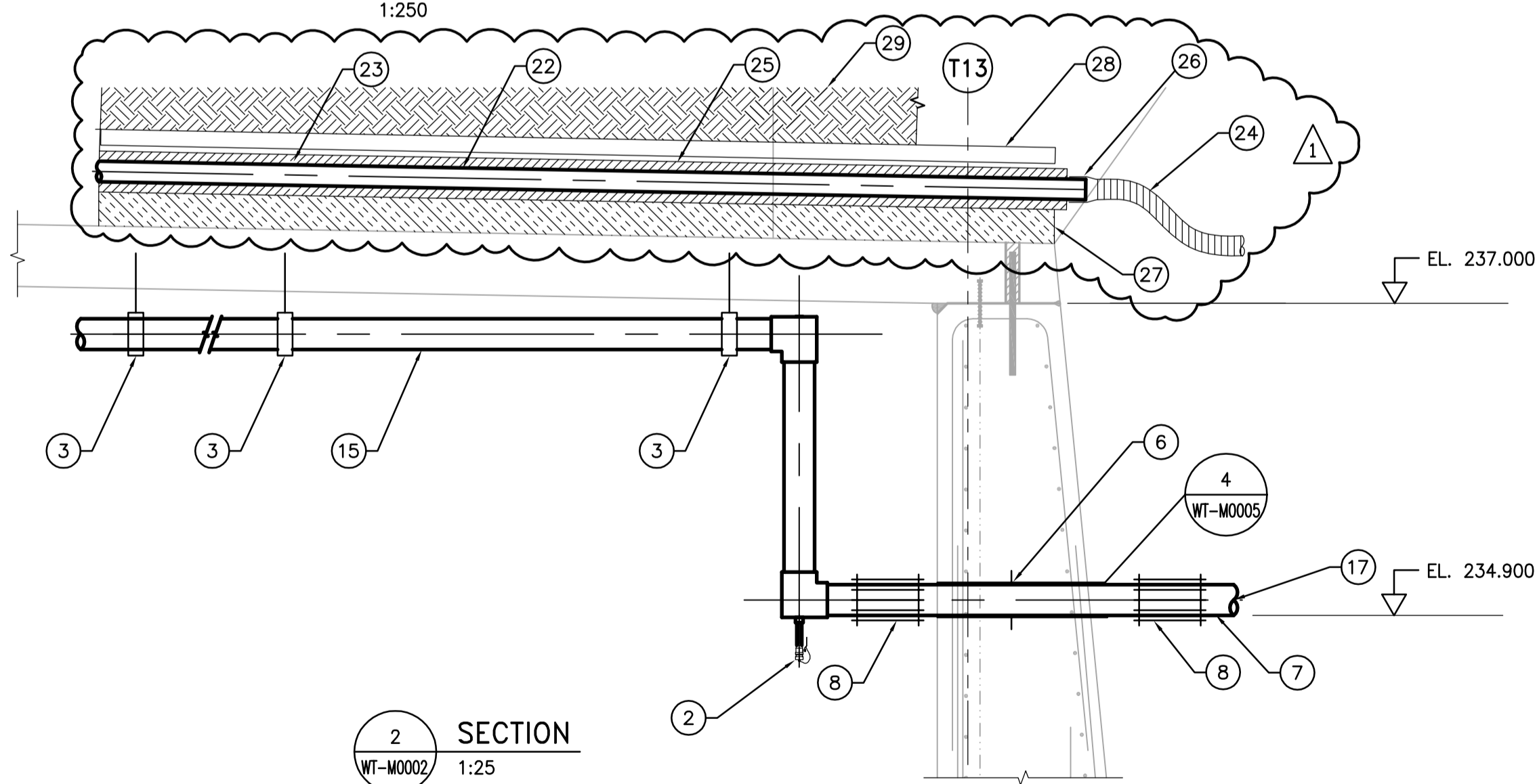
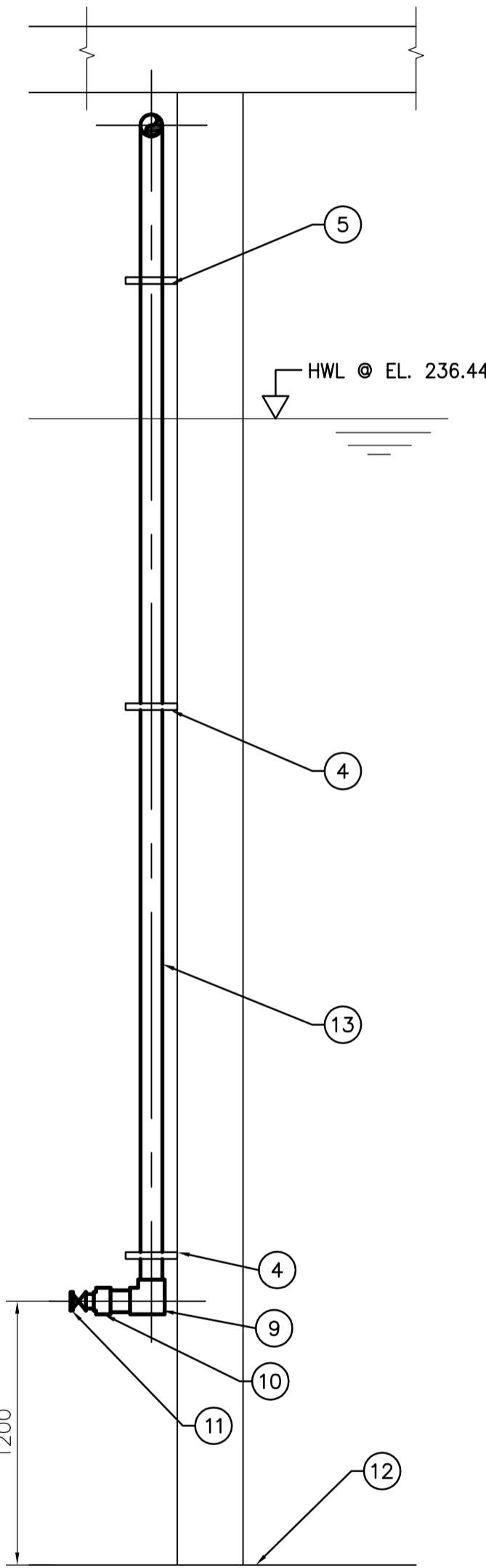


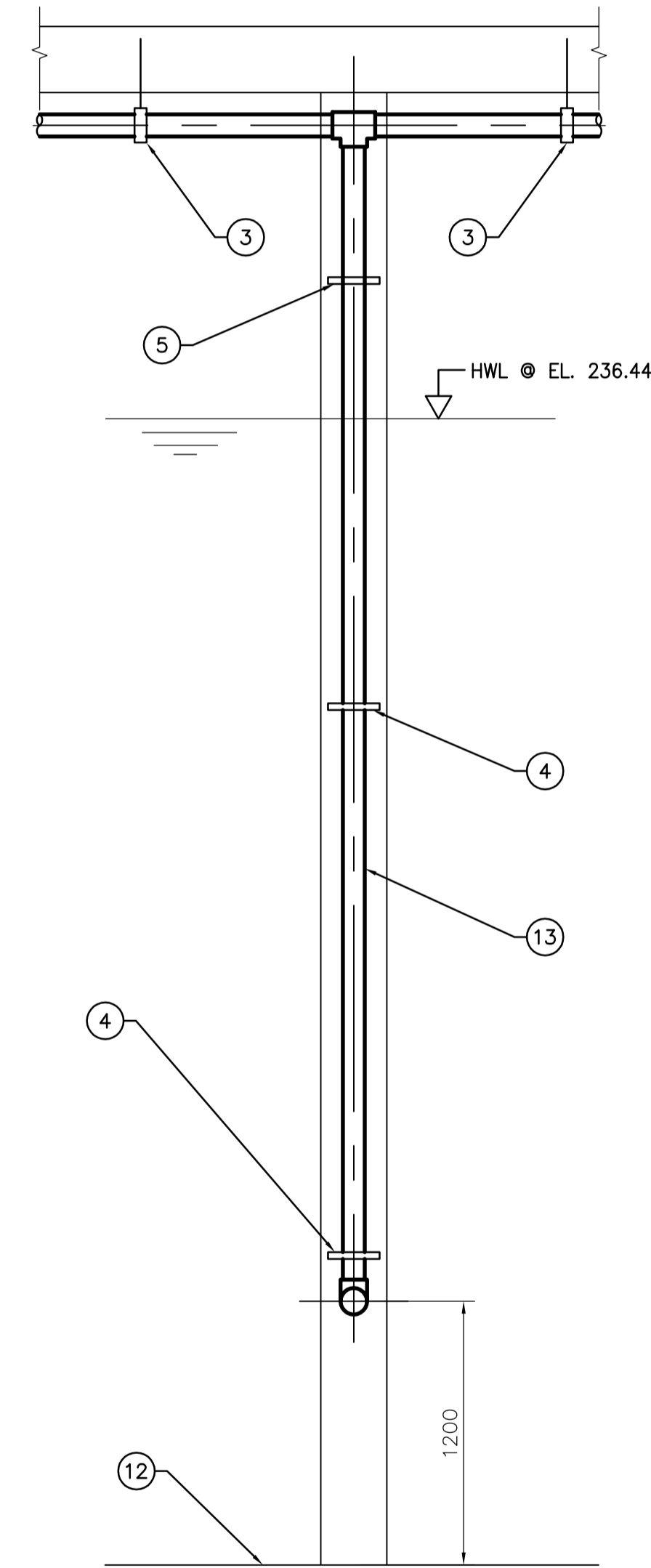
CLEARWELL - MECHANICAL PLAN
1:250



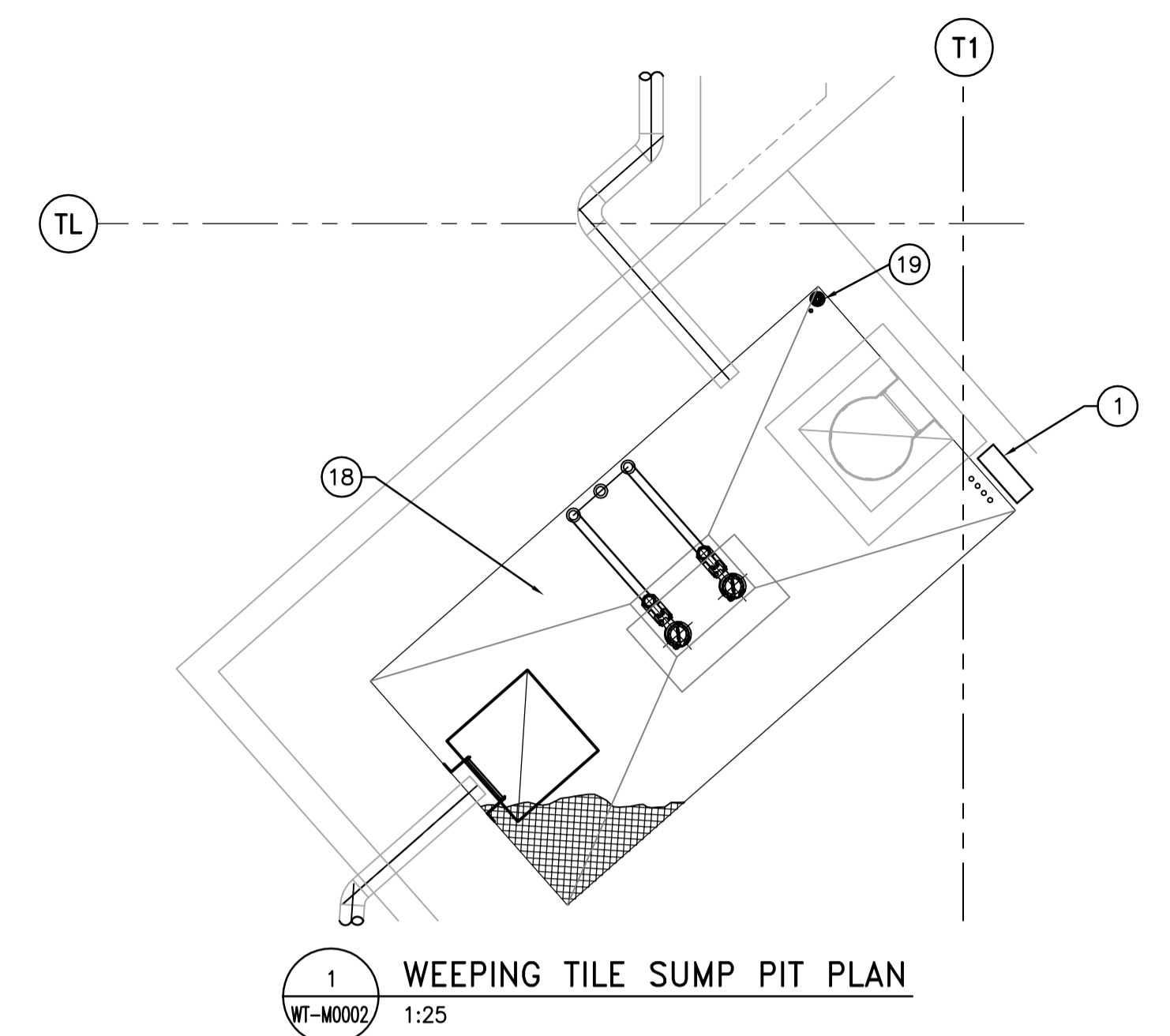
SECTION
2
WT-M0002
1:25



TYPICAL HOSE STATION SECTION
3
WT-M0002
1:25



TYPICAL HOSE STATION SECTION
4
WT-M0002
1:25



WEeping TILE SUMP PIT PLAN
1
WT-M0002
1:25

DRAWING NOTES

- 1 DUPLEX PUMP CONTROLLER LOCATED ABOVE GRADE. REFER TO ELECTRICAL.
- 2 DRAIN c/w BALL VALVE AND CAP.
- 3 PVC PIPE HANGER SUPPORT. (ABOVE HIGH WATER LEVEL)
- 4 PVC PIPE SUPPORT TYPE 1 AND BRACKET. SEE DWG WT-M0005 FOR DETAIL.
- 5 PVC PIPE SUPPORT TYPE 2. SEE DWG WT-M0005 FOR DETAIL.
- 6 EXISTING 150Ø STAINLESS STEEL PIPE SLEEVE. (NIC)
- 7 150Ø WASHDOWN.
- 8 150Ø SLEEVE COUPLING.
- 9 100Ø - 90° ELBOW.
- 10 100mm x 65mm REDUCING BUSHING.
- 11 65mm PVC HOSE VALVE c/w THREADED END CAP.
- 12 FLOOR SLAB - ELEVATION VARIES.
- 13 100Ø WASHDOWN PIPING (SCH. 40 PVC).
- 14 HOSE STATION. TYPICAL OF 8.
- 15 150Ø WASHDOWN PIPING (SCH. 40 PVC).
- 16 150Ø POTABLE WATER SUPPLY FROM WTP. LOCATE 2.0 METERS FROM GRIDLINE "TD."
- 17 REFER TO CIVIL FOR CONTINUATION.
- 18 SEE WT-M0005 FOR SUMP PUMP AND SUMP PIT DETAILS.
- 19 SUMP PIT VENT PIPE THROUGH ROOF. SEE DRAWING WT-M0005 FOR DETAILS.
- 20 MANUAL VALVES CONTROLLED FROM VALVE FLOOR BOX ABOVE IN INLET BUILDING.
- 21 150Ø TO 100Ø REDUCERS.
- 22 100Ø INSTRUMENTATION PIPE DRAIN. REFER TO SPECIFICATION SECTION 15201.
- 23 INSULATED PIPE TO LAY ON TOP OF 100mm THICK ROOF INSULATION.
- 24 PIPE EXTENSION BY OTHERS.
- 25 50mm THICK INSULATION WITH JACKET ON EXTERIOR PORTION OF PIPE UP TO EXTERIOR WALL SURFACE. REFER TO SPECIFICATION SECTION 15201.
- 26 END PIPE NEAR EDGE OF CLEARWELL WALL.
- 27 100mm THICK ROOF INSULATION BY OTHERS.
- 28 PLACE 2"x8" PRESSURE TREATED LUMBER ON TOP OF PIPE FOR PROTECTION.
- 29 DIRT BY STRUCTURAL.

GENERAL NOTES

1. COORDINATE WITH OTHER TRADES SO AS TO PREVENT CONFLICTS.
2. PROVIDE MINIMUM 0.5% SLOPE ON ALL HORIZONTAL PIPING TO DRAIN ALL PIPING WASHDOWN.

<p>Certificate of Authorization Earth Tech Canada Inc. No. 730 Expiry: April 30, 2007</p>	B.M. ELEV.	<p>Frederickson Cooper ARCHITECTS</p>	<p>A Tyco International Ltd. Company</p>	ENGINEER'S SEAL	<p>THE CITY OF WINNIPEG WATER AND WASTE DEPARTMENT ENGINEERING DIVISION</p>			
				DESIGNED BY DC		CHECKED BY AB	ORIGINAL SIGNED BY A. BURACHYNSKY	
				DRAWN BY DC		APPROVED BY AHL	2006/08/30	
				SCALE: AS SHOWN		RELEASED FOR CONSTRUCTION BY: R. SOROKOWSKI	CONSULTANT DRAWING NO. WT-M0002	
	NO. REVISIONS	DATE	DATE	2005/02/11	DATE	2006/08/30	<p>WATER TREATMENT PLANT TREATED WATER STORAGE INLET BUILDING</p> <p>MECHANICAL WASHDOWN PIPING SYSTEM PLAN AND SECTIONS</p>	<p>CITY FILE NUMBER</p> <p>SHEET OF</p> <p>CITY DRAWING NUMBER</p> <p>1-0601T-A-M0002-001-01D</p>