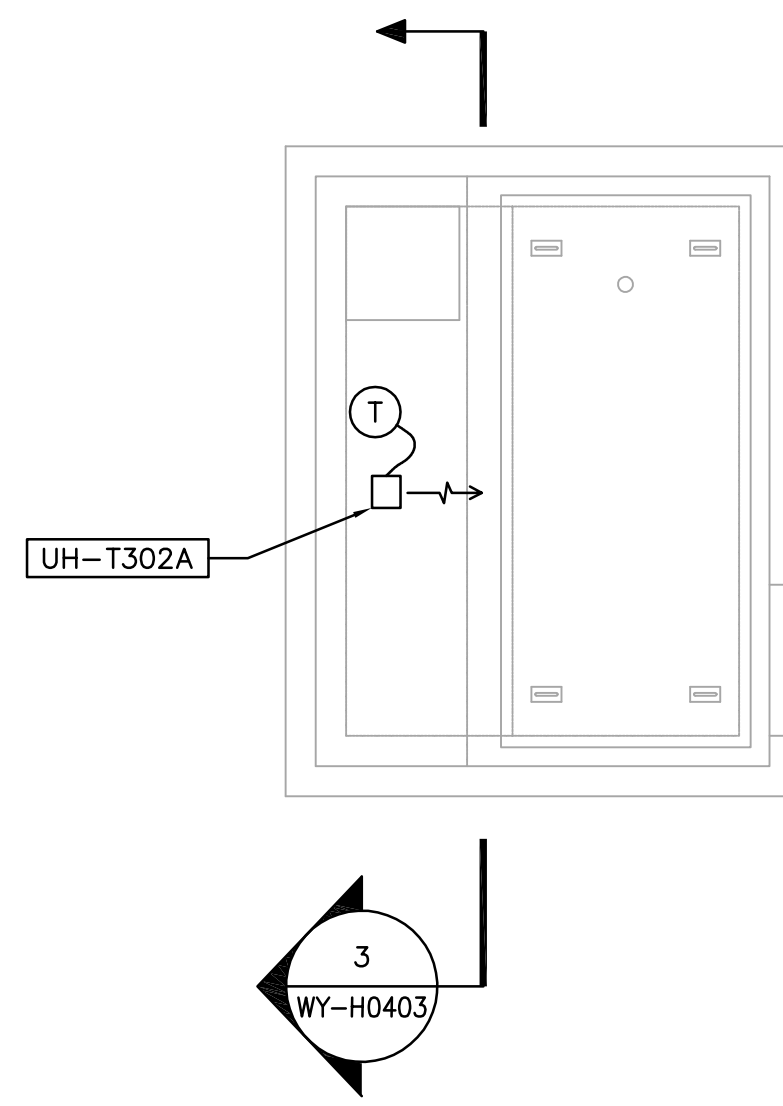
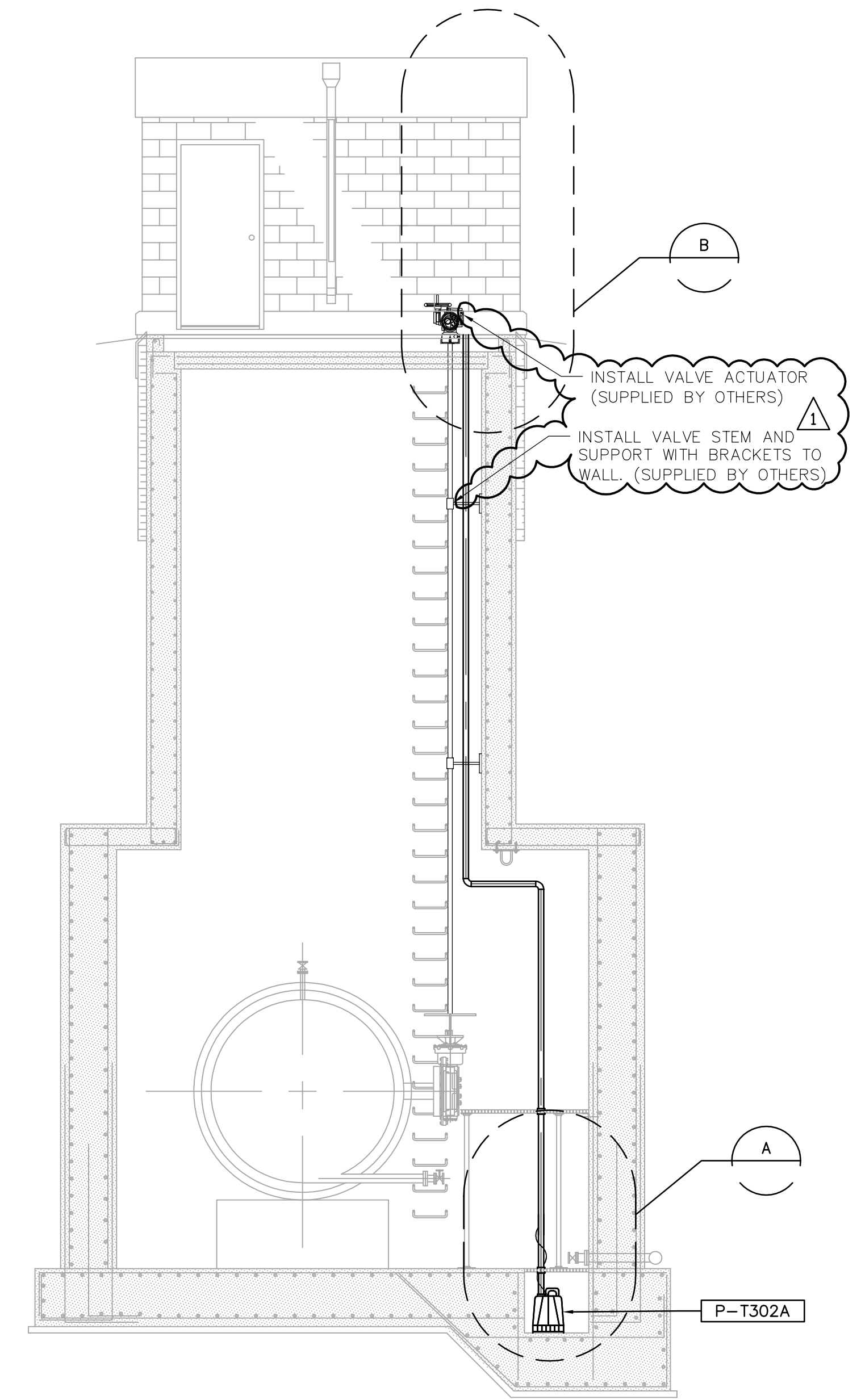


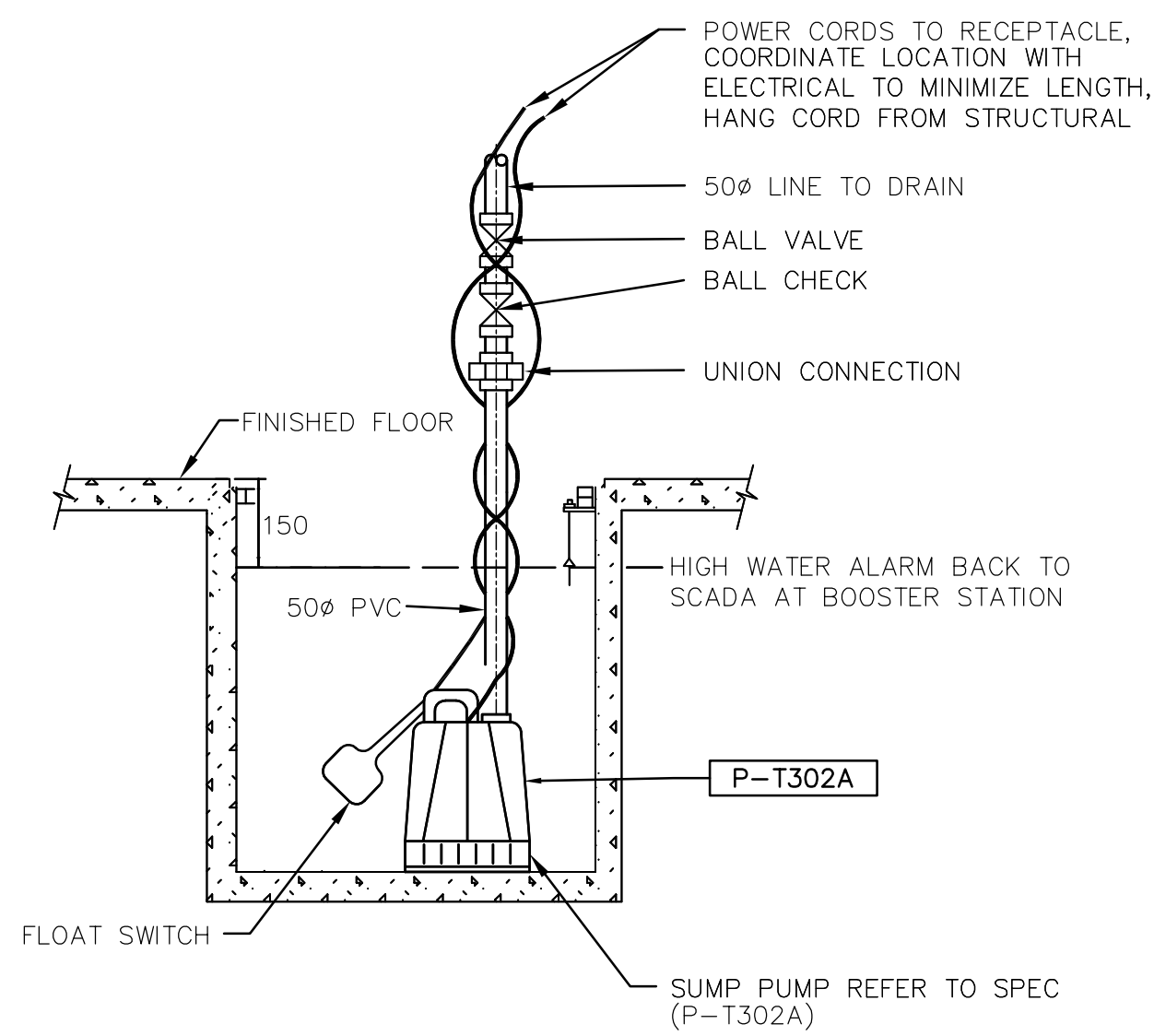
1 PLAN AT EL 228.35
WY-H0403 1:50



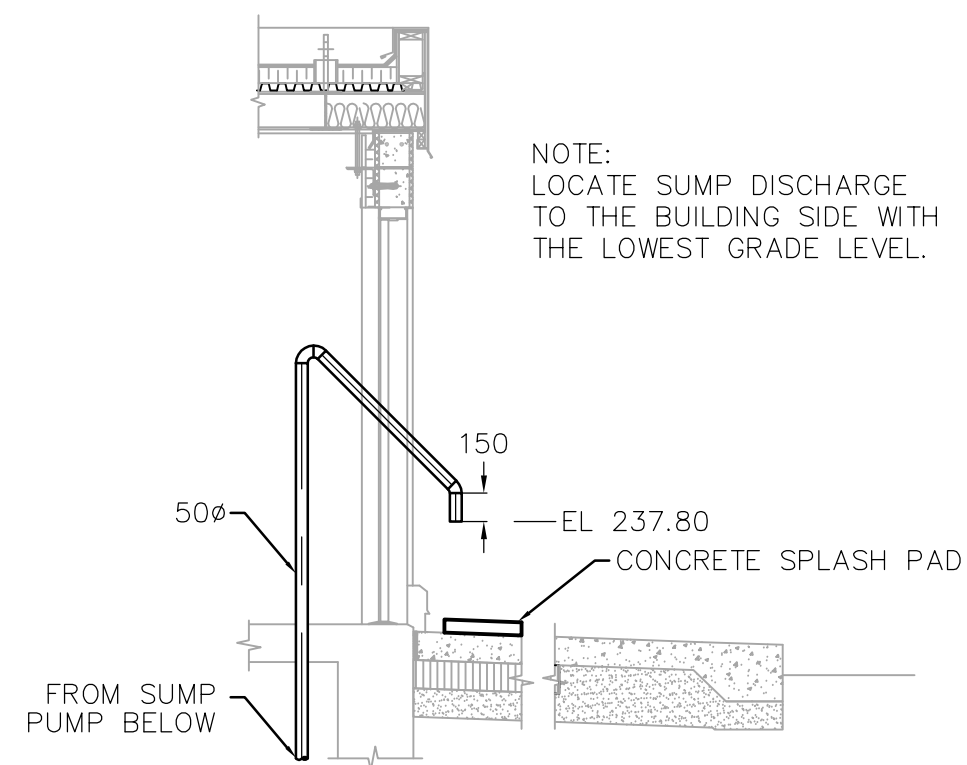
2 MAIN FLOOR PLAN
WY-H0403 1:50



3 SECTION
WY-H0403 1:50



A SUMP PUMP DETAIL
NTS



B SUMP DISCHARGE DETAIL
NTS

**CELL 3 TREATED WATER
VALVE CHAMBER**

 APEGM Certificate of Authorization Earth Tech Canada Inc. No. 730 Expiry: April 30, 2007	B.M. ELEV.	 Frederickson Cooper ARCHITECTS	 EarthTech A Tyco International Ltd. Company	ENGINEER'S SEAL	 THE CITY OF WINNIPEG WATER AND WASTE DEPARTMENT ENGINEERING DIVISION	CITY FILE NUMBER		
				DESIGNED BY DC		CHECKED BY AB	ORIGINAL SIGNED BY A. BURACHYNSKY	SHEET OF
				DRAWN BY DJ		APPROVED BY AHL	2006/08/30	
				SCALE: AS NOTED		RELEASED FOR CONSTRUCTION BY: R. SOROKOWSKI	CONSULTANT DRAWING NO. WY-H0403	CITY DRAWING NUMBER 1-0601Y-A-H0403-001-01D
	01 498-2006 ADDENDUM 8 06/10/23 DC							
	00 ISSUED FOR TENDER 06/08/28 DC							
	NO. REVISIONS DATE BY	DATE 2006/06/01	DATE 2006/08/30					