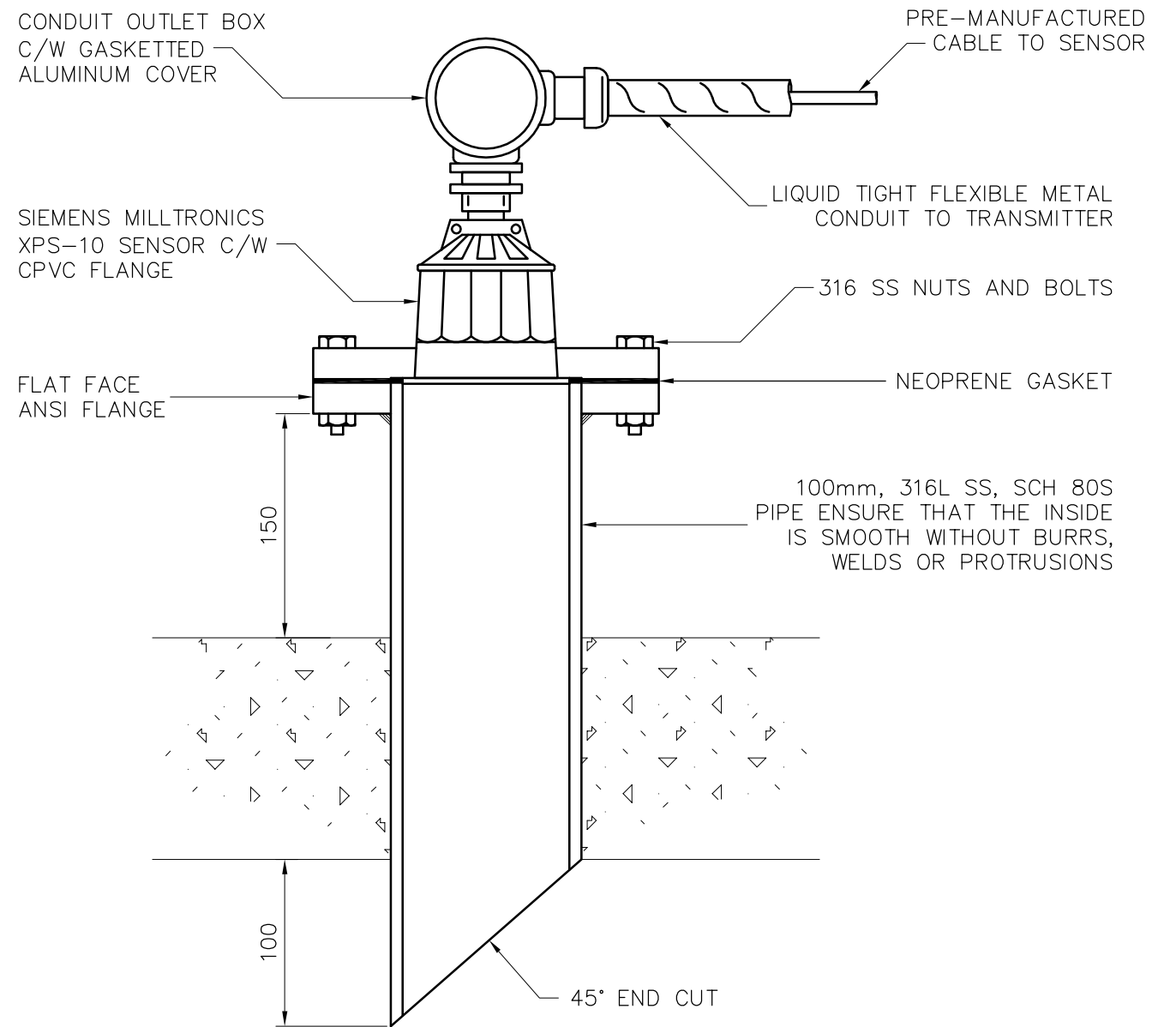


**NOTES:**

- 1) SENSOR MUST BE MOUNTED IN HORIZONTAL PLANE WITH RESPECT TO INFLUENT FLOW.
- 2) ALL BRACKET COMPONENTS TO BE 304 S.S. BRACKET TO BE MOUNTED WHERE ONLY ONE SECTION OF GRATING IS REQUIRED TO BE REMOVED FOR SENSOR ACCESS.
- 3) RG62U COAXIAL SIGNAL CABLE TO BE RUN INSIDE FLEXIBLE LIQUID TIGHT METALLIC CONDUIT AND FASTENED TO BRACKET WITH "P" CLAMPS.
- 4) SENSOR ELEVATION TO BE AS REQUIRED TO PROVIDE BLANKING SPACE.
- 5) CABLE TO RUN TO TRANSMITTER INDICATOR.

ULTRASONIC LEVEL TRANSDUCER



**NOTE:**

1. THE CONTRACTOR SHALL ENSURE THAT EACH SENSOR IS SUITABLE FOR ITS APPLICATION.

ULTRASONIC LEVEL TRANSDUCER

<p>Certificate of Authorization Earth Tech Canada Inc. No. 730 Expiry: April 30, 2007</p>	<table border="1"> <tr> <th>B.M. ELEV.</th> <th>DATE</th> <th>BY</th> </tr> <tr> <td> </td> <td> </td> <td> </td> </tr> </table>	B.M. ELEV.	DATE	BY				<p>Frederickson Cooper ARCHITECTS</p>	<p>EarthTech A Type International Ltd. Company</p>	<p>ENGINEER'S SEAL</p> <p>ORIGINAL SIGNED BY S.W. TORMEY 2006/03/29</p>	<p>THE CITY OF WINNIPEG WATER AND WASTE DEPARTMENT ENGINEERING DIVISION</p>	<p>CITY FILE NUMBER</p> <p>SHEET OF</p>									
		B.M. ELEV.	DATE	BY																	
<table border="1"> <tr> <th>NO.</th> <th>REVISIONS</th> <th>DATE</th> <th>BY</th> </tr> <tr> <td> </td> <td> </td> <td> </td> <td> </td> </tr> </table>	NO.	REVISIONS	DATE	BY					<table border="1"> <tr> <td>DESIGNED BY</td> <td>NT</td> <td>CHECKED BY</td> <td>SWT</td> </tr> <tr> <td>DRAWN BY</td> <td>GLG</td> <td>APPROVED BY</td> <td>AHL</td> </tr> </table>	DESIGNED BY	NT	CHECKED BY	SWT	DRAWN BY	GLG	APPROVED BY	AHL	<p>SCALE: NTS</p> <p>RELEASED FOR CONSTRUCTION BY: R. SOROKOWSKI</p> <p>DATE 2006/01/03 DATE 2006/03/29</p>	<p>CONSULTANT DRAWING NO. WB-A0401</p>	<p>WATER TREATMENT PLANT MAIN BUILDING MECHANICAL AND ELECTRICAL</p>	<p>CITY DRAWING NUMBER 1-0601B-D-A0401-001-02B</p>
NO.	REVISIONS	DATE	BY																		
DESIGNED BY	NT	CHECKED BY	SWT																		
DRAWN BY	GLG	APPROVED BY	AHL																		