

FIG. 1 FLOOR MOUNT

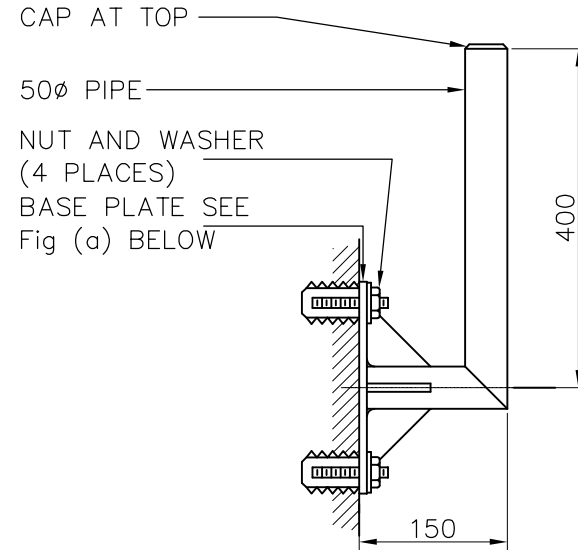


FIG. 2 WALL MOUNT

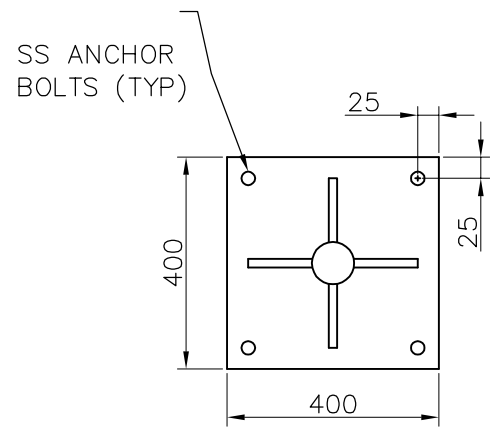


FIG. (a) MOUNTING PLATE

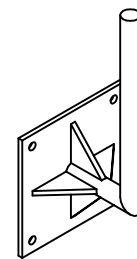


FIG. (b) WALL MOUNT EXTERNAL VIEW

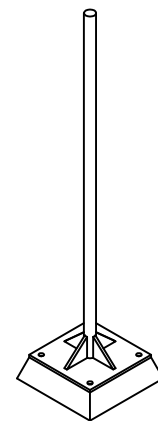


FIG. (c) FLOOR MOUNT EXTERNAL VIEW

NOTES:

- 1) PIPE AND MOUNTING PLATE COPPER FREE ALUMINUM, OR GALVANIZED STEEL.
- 2) TOP OF PIPE TO BE 1400 (NOMINAL) ABOVE SERVICE FLOOR.
- 3) GROUTING TO BE POURED ONCE FLOOR MOUNT STAND PLUMBED FASTENED IN PLACE.

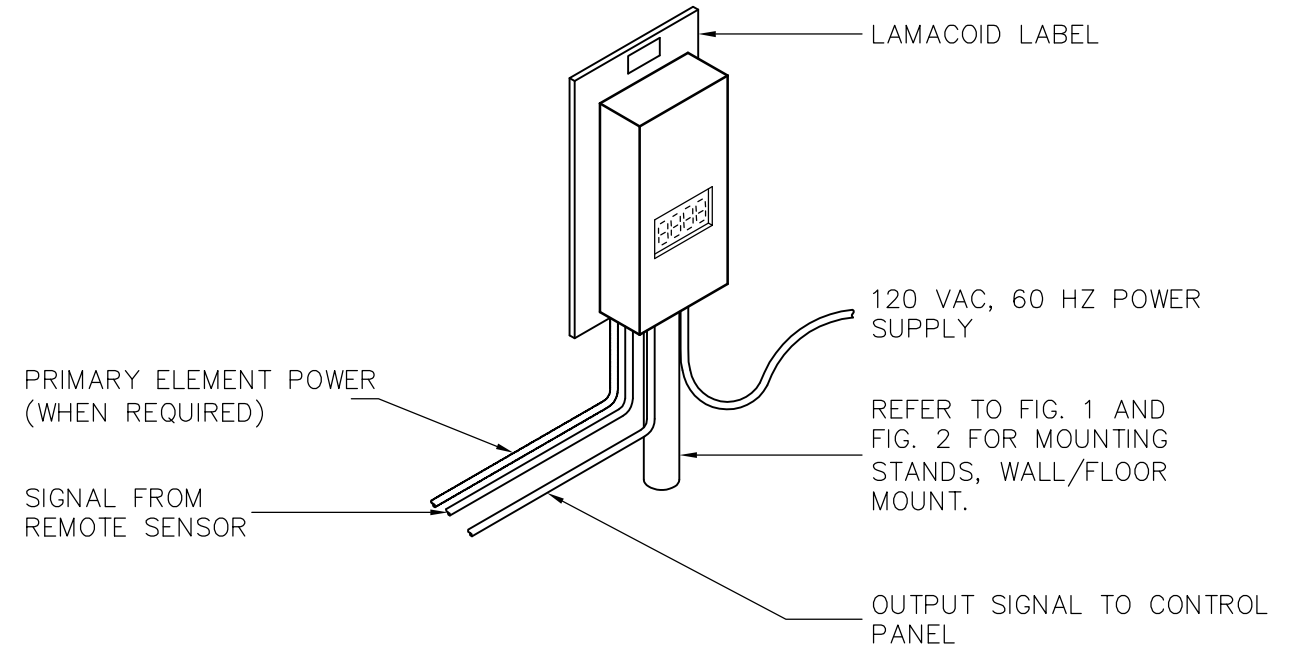


FIG. 3 REMOTE INDICATING TRANSMITTER (SELF POWERED)

REFER TO FIG. 1 AND FIG. 2 FOR MOUNTING STANDS, WALL/FLOOR MOUNT.

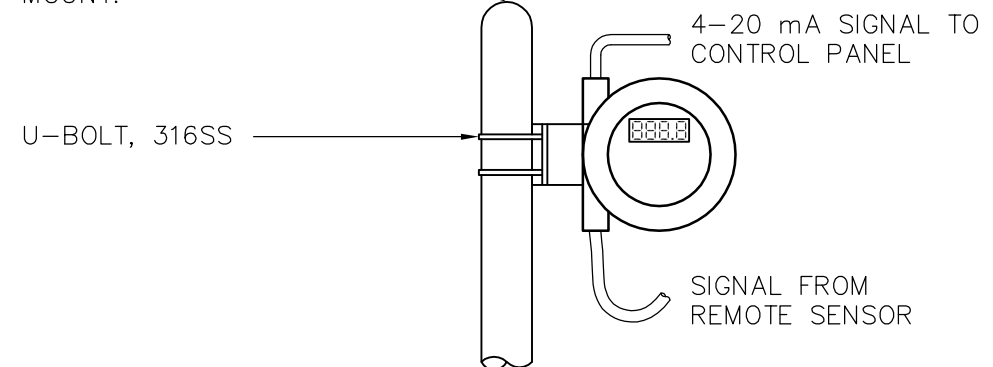


FIG. 4 REMOTE INDICATING TRANSMITTER (LOOP POWERED)

	B.M. ELEV.	 		ENGINEER'S SEAL	
				DESIGNED BY: NT	
		DRAWN BY: GLG	APPROVED BY: AHL	2006/03/29	
		SCALE: NTS	RELEASED FOR CONSTRUCTION BY: R. SOROKOWSKI	CONSULTANT DRAWING NO. WB-A0402	
	NO. REVISIONS	DATE	DATE	DATE	WATER TREATMENT PLANT MAIN BUILDING MECHANICAL AND ELECTRICAL AUTOMATION / I&C LOOP POWERED REMOTE INDICATING TRANSMITTER INSTALLATION DETAILS CITY FILE NUMBER: 1-0601B-D-A0402-001-02B SHEET OF: