

FIG. 1 SELECTOR SWITCH WITH INDICATOR

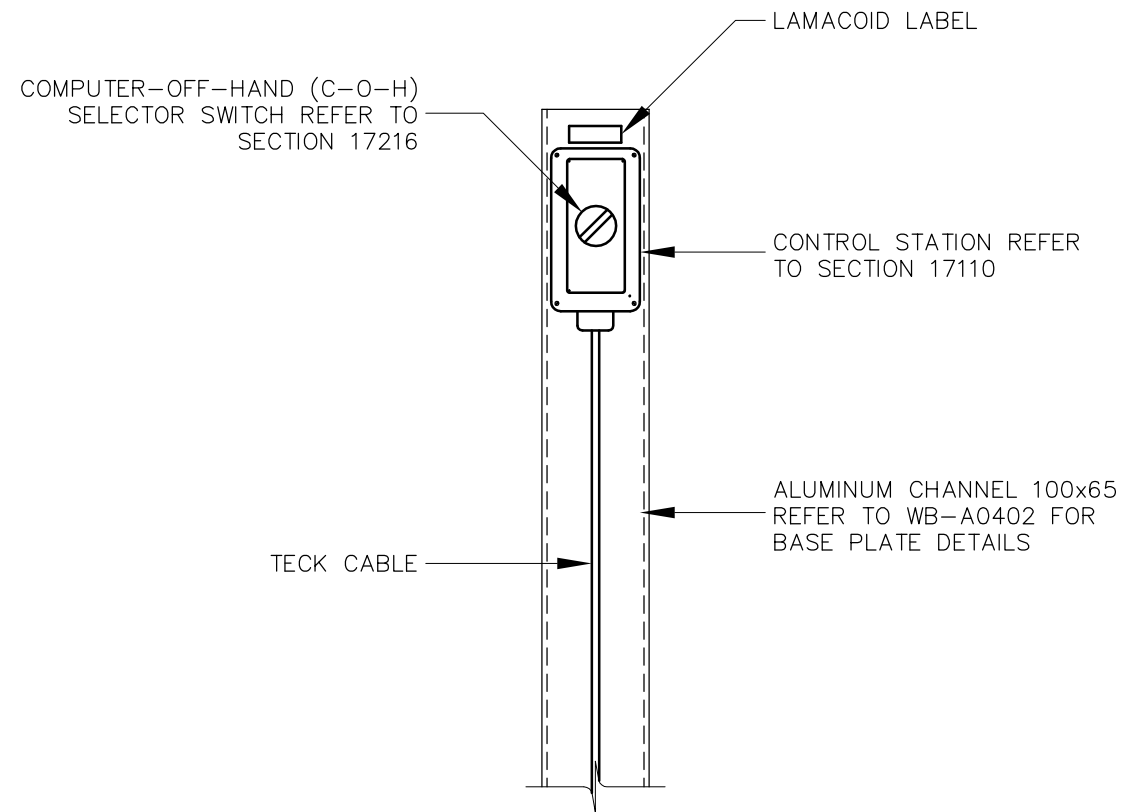


FIG. 2 SELECTOR SWITCH

 Certificate of Authorization Earth Tech Canada Inc. No. 730 Expiry: April 30, 2007	B.M. ELEV.		 Frederickson Cooper [A S O W I T E C O]	 A Type International Ltd. Company	ENGINEER'S SEAL	 THE CITY OF WINNIPEG WATER AND WASTE DEPARTMENT ENGINEERING DIVISION
	DESIGNED BY: NT DRAWN BY: GLG				ORIGINAL SIGNED BY S.W. TORMEY 2006/03/29	
02 498-2006 ISSUED FOR TENDER 06/09/05 LAE 01 ISSUED FOR CONSTRUCTION 06/07/28 JBC 00 ISSUED FOR TENDER 06/03/29 GLG		SCALE: NTS RELEASED FOR CONSTRUCTION BY: R. SOROKOWSKI	CONSULTANT DRAWING NO. WB-A0403		CITY FILE NUMBER SHEET OF	
NO. REVISIONS DATE BY		DATE 2006/01/03 DATE 2006/03/29	AUTOMATION / I&C HAND SWITCH MOUNTING INSTALLATION DETAILS		CITY DRAWING NUMBER 1-0601B-D-A0403-001-02B	