

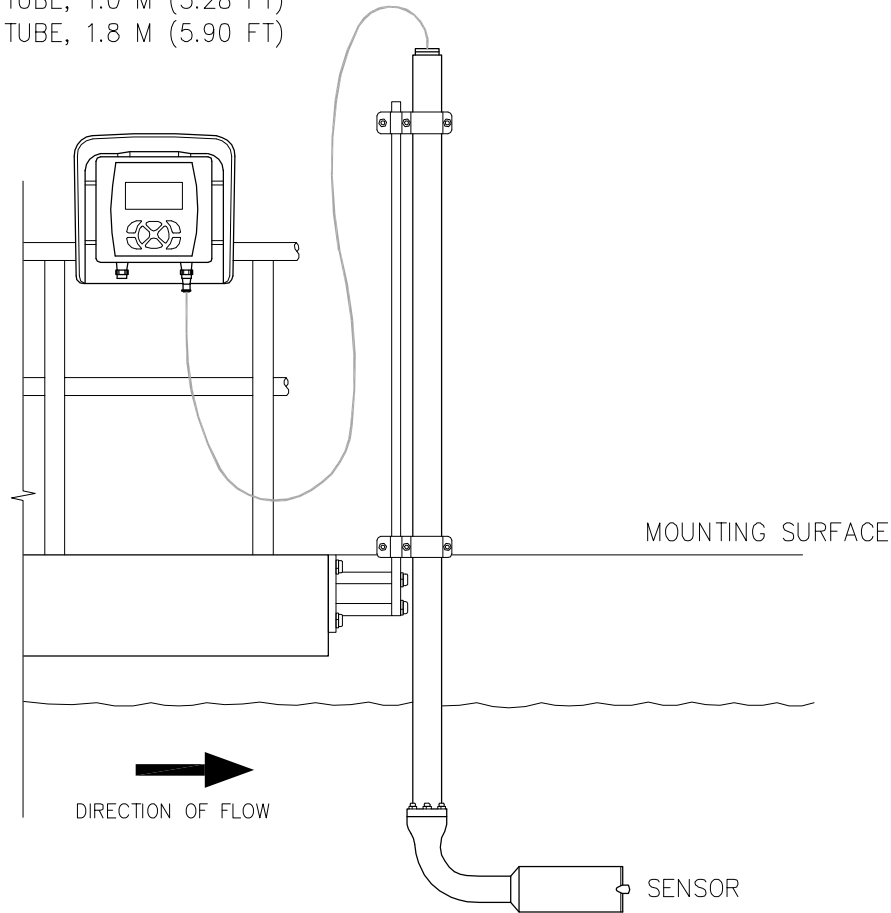
TURBIDITY/TSS INSTALLATION

INSTALLATION OVERVIEW

THE MAXIMUM DISTANCE FROM THE MOUNTING SURFACE TO THE SENSOR WITHOUT THE USE OF AN EXTENSION TUBE IS 1.5 M (4.9 FT), AS SHOWN.

WHEN THAT DISTANCE EXCEEDS 1.5 M (4.9 FT), ONE OF THE FOLLOWING EXTENSION TUBES IS REQUIRED:

- EXTENSION TUBE, 35 CM (1.15 FT)
- EXTENSION TUBE, 1.0 M (3.28 FT)
- EXTENSION TUBE, 1.8 M (5.90 FT)

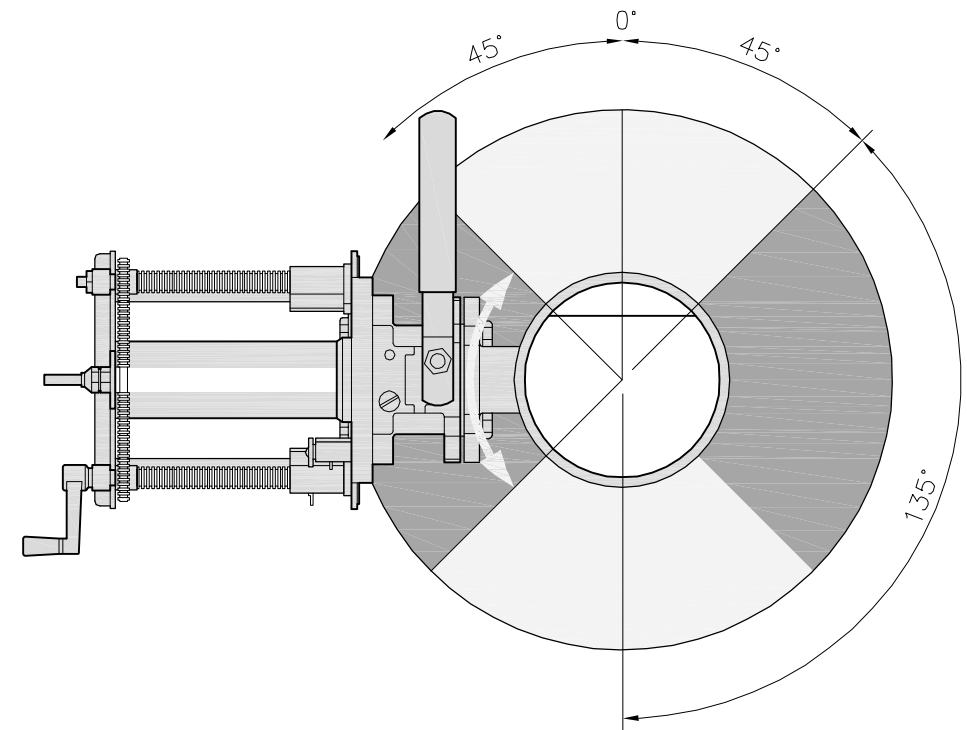


TO ENSURE A SUITABLE MEASURING POSITION, INSTALL THE PROBE TO THE FOLLOWING CONDITIONS:

- THE PROBE OPTICAL WINDOW MUST HAVE A GROUND CLEARANCE OF AT LEAST 30 CM (11.8 IN.).
- INSTALL THE PROBE WITH THE OPTICAL WINDOW FACING (DOWNSTREAM) IN THE DIRECTION OF THE FLOW TO MINIMIZE THE RISK OF FOULING.
- AVOID INSTALLATION SITES WHERE AIR BUBBLES ARE INCONSISTENT. IF THIS IS NOT POSSIBLE, TRY MOVING THE PROBE SLIGHTLY OR ADJUSTING ITS ALIGNMENT TO MINIMIZE THE BUBBLE EFFECT.
- PROTECT THE PROBE AGAINST THE ONCOMING FLOW OF LARGE OBJECTS, SUCH AS BRANCHES OR ICE AND AGAINST FLOW SURGES.
- AVOID INSTALLING THE PROBE WITH THE OPTICAL WINDOW FACING INTO DIRECT LIGHT OR FACING A HIGHLY-REFLECTIVE SURFACE.

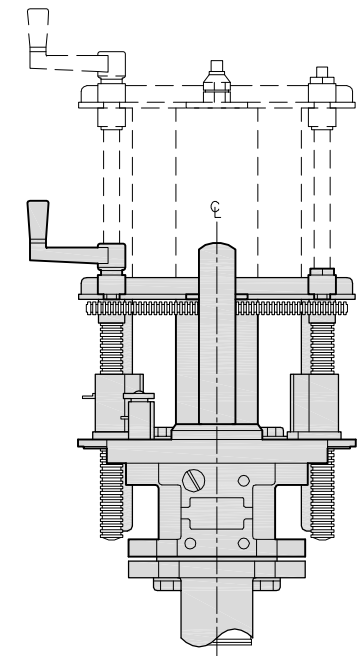
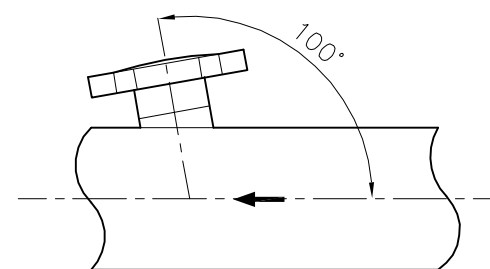
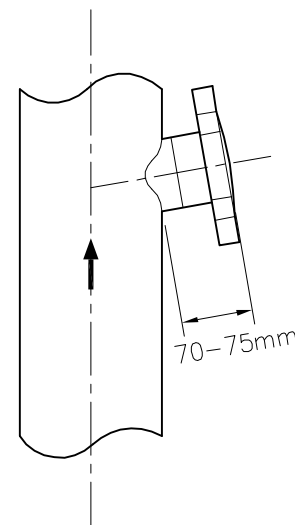
PIPE INSTALLATION





FOR INSTALLING SENSOR IN A PIPE THE FOLLOWING INSTALLATION KIT SHOULD BE USED.



NOTES:

1. IT IS RECOMMENDED TO COAT THE CARBON STEEL FLANGE WITH A PROTECTIVE COATING TO PROHIBIT RUST.
2. RECOMMENDED INSTALLATION ANGLE 45-135°
3. WELDED FLANGE CARBON STEEL LZx703
4. PIPE INSTALLATION LZx337
5. NO ONSITE WELDING ALLOWED. FABRICATE CARBON STEEL MOUNTING SYSTEM IN FACTORY.
6. EPOXY COAT INSIDE AND OUT AS PER SPECIFICATIONS.



 Certificate of Authorization Earth Tech Canada Inc. No. 730 Expiry: April 30, 2006	B.M. ELEV.		 Frederikson Cooper ARCHITECTS		 A Time Warner Company		ENGINEER'S SEAL ORIGINAL SIGNED BY S.W. TORMEY 2006/03/29		 THE CITY OF WINNIPEG WATER AND WASTE DEPARTMENT ENGINEERING DIVISION	
	DESIGNED BY: NT CHECKED BY: SWT DRAWN BY: SRP APPROVED BY: AHL SCALE: NTS RELEASED FOR CONSTRUCTION BY: R. SOROKOWSKI DATE: 2006/01/03 DATE: 2006/03/29	CONSULTANT DRAWING NO. WB-A0410		WATER TREATMENT PLANT MAIN BUILDING MECHANICAL AND ELECTRICAL		CITY FILE NUMBER SHEET OF		CITY DRAWING NUMBER 1-0601B-D-A0410-001-008		
NO. ISSUED FOR TENDER: 06/03/29 SRP NO. REVISIONS:	DATE: 2006/01/03 BY:		DATE: 2006/03/29 DATE:		AUTOMATION / I&C TURBIDITY / TSS SENSOR INSTALLATION DETAILS					