

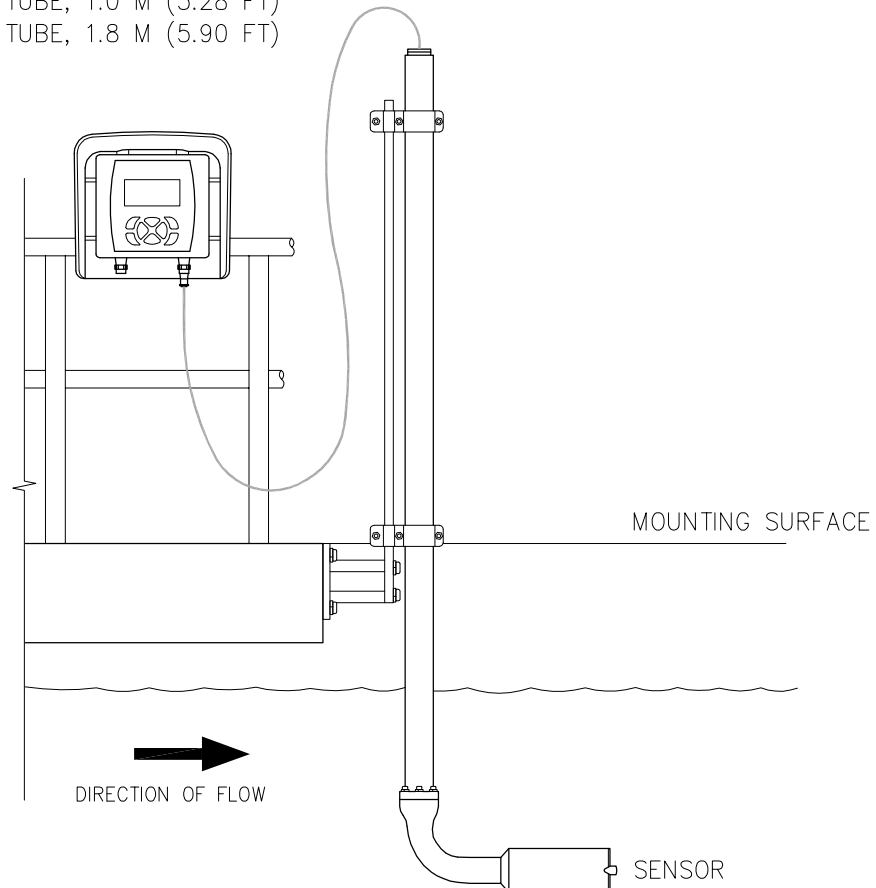
# TURBIDITY/TSS INSTALLATION

## INSTALLATION OVERVIEW

THE MAXIMUM DISTANCE FROM THE MOUNTING SURFACE TO THE SENSOR WITHOUT THE USE OF AN EXTENSION TUBE IS 1.5 M (4.9 FT), AS SHOWN.

WHEN THAT DISTANCE EXCEEDS 1.5 M (4.9 FT), ONE OF THE FOLLOWING EXTENSION TUBES IS REQUIRED:

- EXTENSION TUBE, 35 CM (1.15 FT)
- EXTENSION TUBE, 1.0 M (3.28 FT)
- EXTENSION TUBE, 1.8 M (5.90 FT)

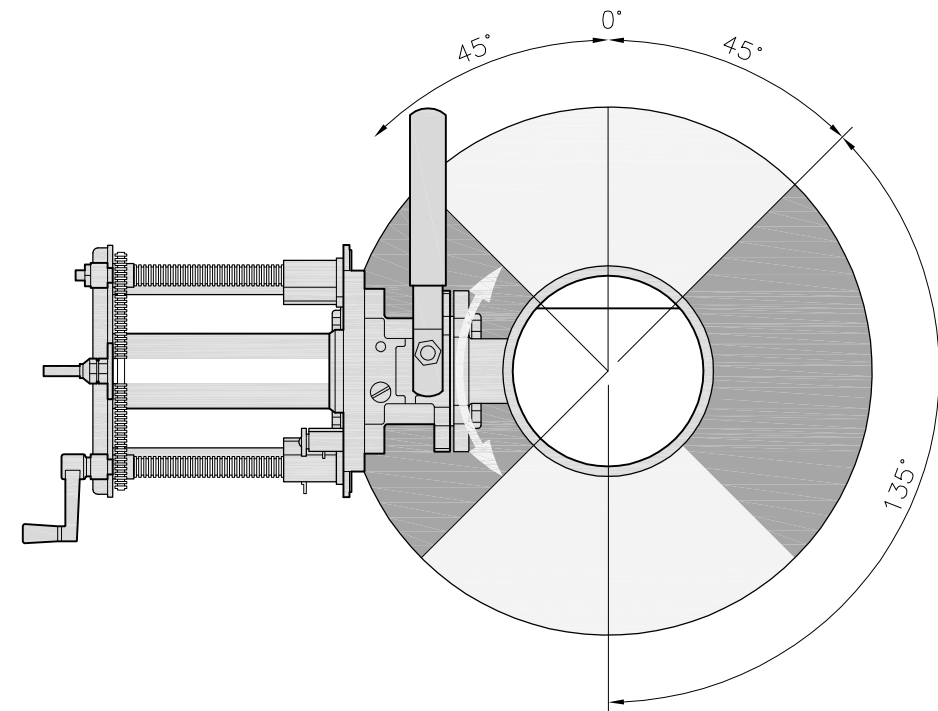


TO ENSURE A SUITABLE MEASURING POSITION, INSTALL THE PROBE TO THE FOLLOWING CONDITIONS:

- THE PROBE OPTICAL WINDOW MUST HAVE A GROUND CLEARANCE OF AT LEAST 30 CM (11.8 IN.).
- INSTALL THE PROBE WITH THE OPTICAL WINDOW FACING (DOWNSTREAM) IN THE DIRECTION OF THE FLOW TO MINIMIZE THE RISK OF FOULING.
- AVOID INSTALLATION SITES WHERE AIR BUBBLES ARE INCONSISTENT. IF THIS IS NOT POSSIBLE, TRY MOVING THE PROBE SLIGHTLY OR ADJUSTING ITS ALIGNMENT TO MINIMIZE THE BUBBLE EFFECT.
- PROTECT THE PROBE AGAINST THE ONCOMING FLOW OF LARGE OBJECTS, SUCH AS BRANCHES OR ICE AND AGAINST FLOW SURGES.
- AVOID INSTALLING THE PROBE WITH THE OPTICAL WINDOW FACING INTO DIRECT LIGHT OR FACING A HIGHLY-REFLECTIVE SURFACE.

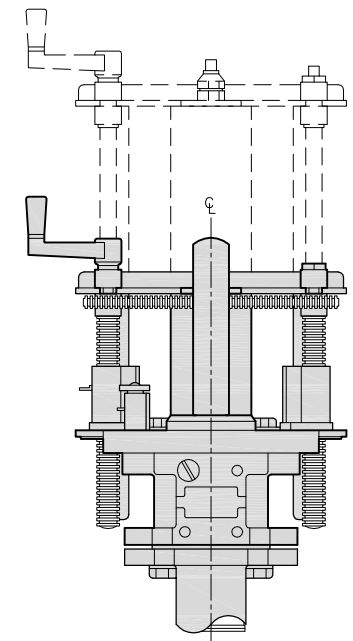
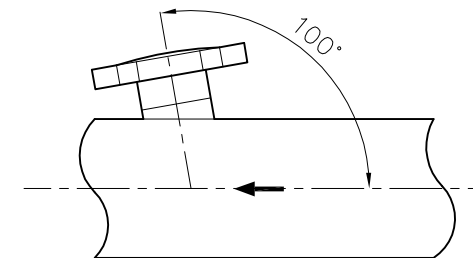
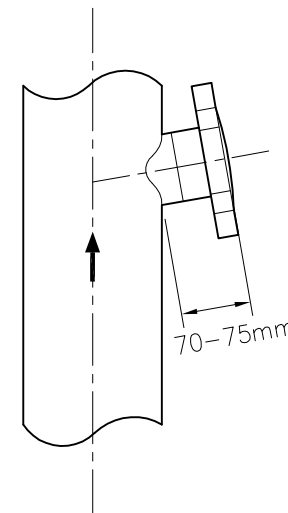
## PIPE INSTALLATION





FOR INSTALLING SENSOR IN A PIPE THE FOLLOWING INSTALLATION KIT SHOULD BE USED.



### NOTES:

1. IT IS RECOMMENDED TO COAT THE CARBON STEEL FLANGE WITH A PROTECTIVE COATING TO PROHIBIT RUST.
2. RECOMMENDED INSTALLATION ANGLE 45-135°
3. WELDED FLANGE CARBON STEEL LZx703
4. PIPE INSTALLATION LZx337
5. NO ONSITE WELDING ALLOWED. FABRICATE CARBON STEEL MOUNTING SYSTEM IN FACTORY.
6. EPOXY COAT INSIDE AND OUT AS PER SPECIFICATIONS.



 Certificate of Authorization Earth Tech Canada Inc. No. 730 Expiry: April 30, 2007	B.M. ELEV.	 Frederickson Cooper [ARCHITECTS]	 A Type International Ltd. Company	ENGINEER'S SEAL	 <b>THE CITY OF WINNIPEG</b> WATER AND WASTE DEPARTMENT ENGINEERING DIVISION
	DESIGNED BY: NT DRAWN BY: SRP SCALE: NTS			CHECKED BY: SWT APPROVED BY: AHL RELEASED FOR CONSTRUCTION BY: R. SOROKOWSKI	
02 498-2006 ISSUED FOR TENDER 06/09/05 LAE 01 ISSUED FOR CONSTRUCTION 06/07/28 JBC 00 ISSUED FOR TENDER 06/03/29 SRP NO. REVISIONS DATE BY	DATE 2006/01/03 DATE 2006/03/29			AUTOMATION / I&C TURBIDITY / TSS SENSOR INSTALLATION DETAILS	