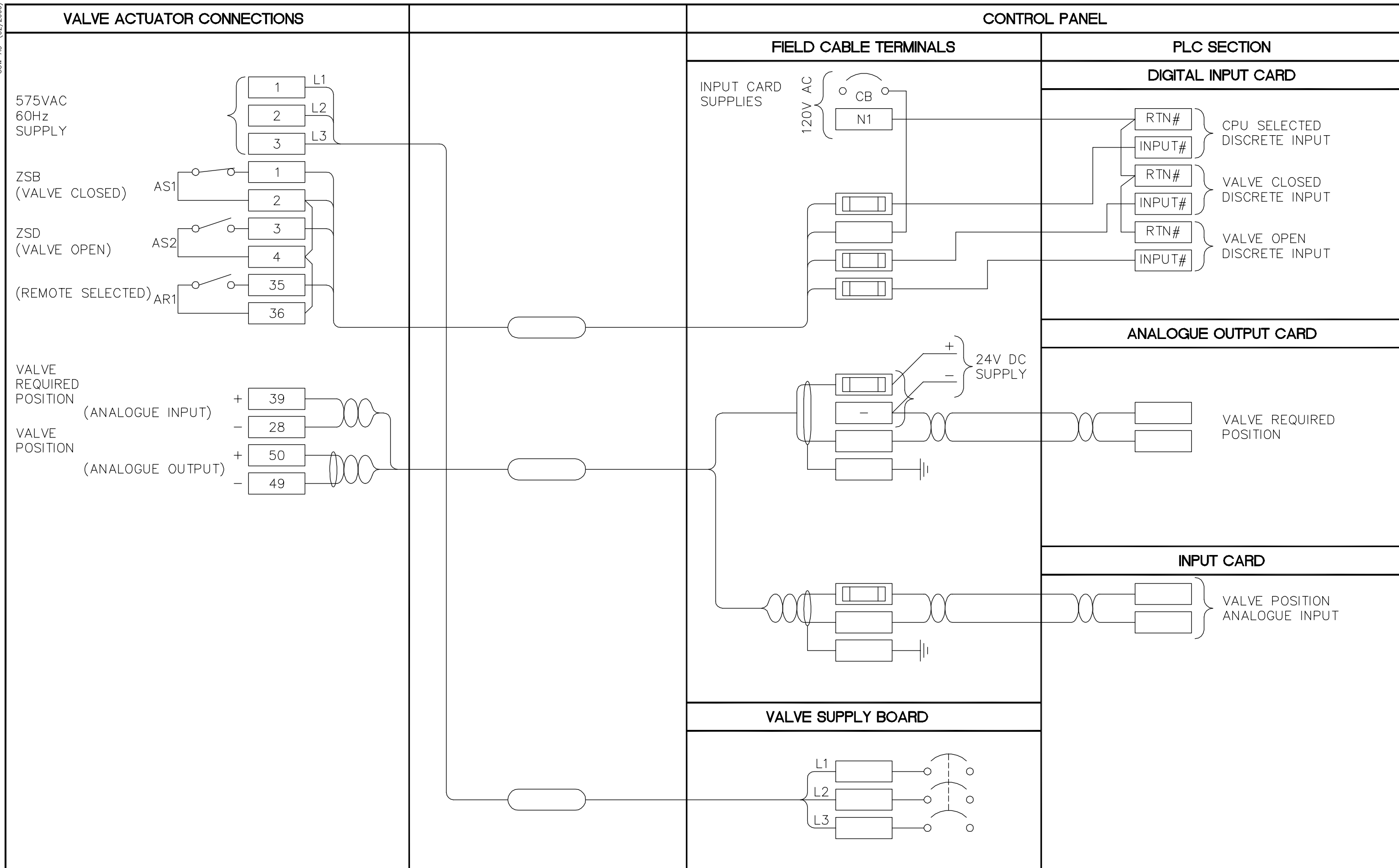


COW-A3 (02/2006)



NOTE:
1. RELAYS IN ACTUATOR TO BE PROGRAMMED AS ABOVE.

<p>Certificate of Authorization Earth Tech Canada Inc. No. 730 Expiry: April 30, 2006</p>	<p>Frederickson Cooper A COMMITMENT</p>	<p>A 100% MULTINATIONAL U.S. COMPANY</p>	<p>ENGINEER'S SEAL</p> <p>ORIGINAL SIGNED BY S.W. TORMEY 2006/03/29</p>	<p>THE CITY OF WINNIPEG WATER AND WASTE DEPARTMENT ENGINEERING DIVISION</p>	
	<p>DESIGNED BY: BM DRAWN BY: CPG SCALE: NTS</p>	<p>CHECKED BY: SWT APPROVED BY: AHL RELEASED FOR CONSTRUCTION BY: R. SOROKOWSKI</p>	<p>CONSULTANT DRAWING NO. WB-A0452</p>	<p>WATER TREATMENT PLANT MAIN BUILDING MECHANICAL AND ELECTRICAL</p>	<p>CITY FILE NUMBER SHEET OF CITY DRAWING NUMBER 1-0601B-H-A0452-001-00B</p>
	<p>00 ISSUED FOR TENDER 06/03/29 GLG NO. REVISIONS DATE BY DATE 2005/05/19 DATE 2006/03/29</p>	<p>AUTOMATION / I&C TYPICAL MOTORIZED VALVE MODULATING INSTRUMENTATION LOOP DIAGRAM</p>			