

DOOR SCHEDULE

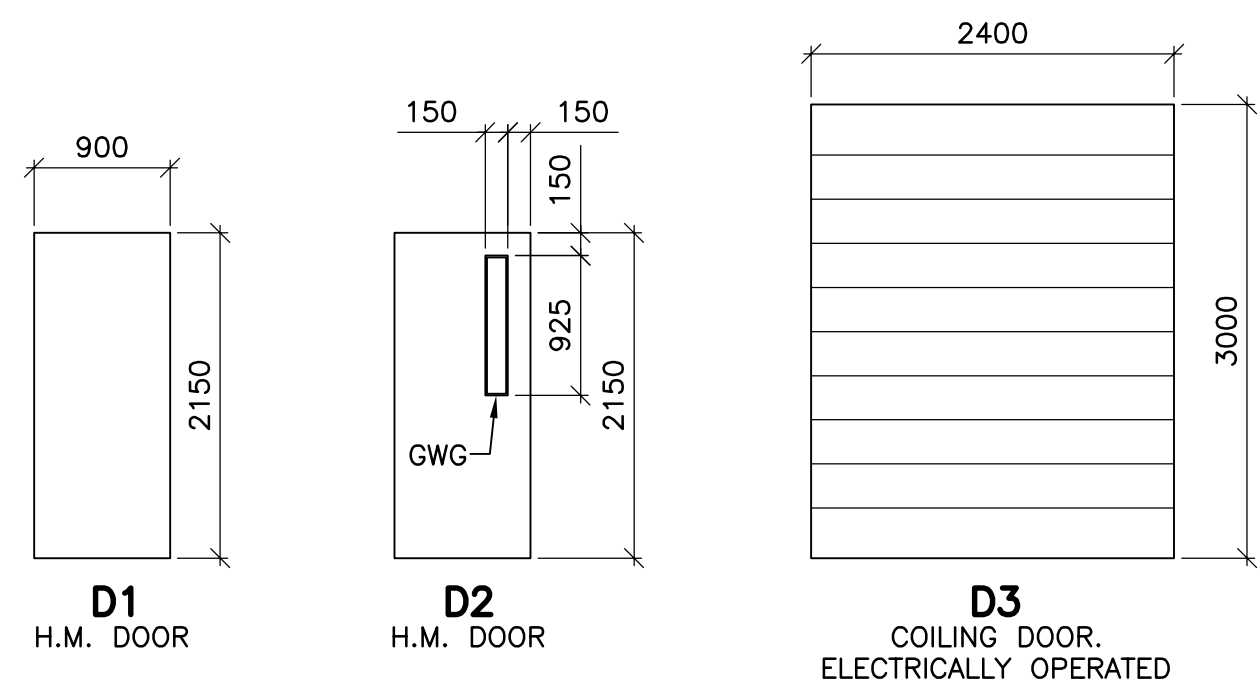
NO.	WIDTHxHEIGHTxTHICKNESS	DOOR					FRAME					RATING (HR)	REMARKS
		TYPE	MAT.	FINISH	GLASS	MAT.	FINISH	TYPE	JAMB	HEAD			
101A	3000x3600	D3	-	GALV	-	STL	PNT	-	J3	H3	-		
101B	900x2150x45	D1	HM	PNT	-	HM	PNT	F1	J2	H2	-		
101C	2-900x2150x45	D2	HM	PNT	GWG	HM	PNT	F2	J1	H1	3/4H FR		
101D	900x2150x45	D1	HM	PNT	-	HM	PNT	F1	J2	H2	-		
101E	900x2150x45	D1	HM	PNT	-	HM	PNT	F1	J4	H4	-		
101F	900x2150x45	D1	HM	PNT	-	HM	PNT	F1	J4	H4	-		
101G	900x2150x45	D1	HM	PNT	-	HM	PNT	F1	J4	H4	-		
102A	900x2150x45	D1	HM	PNT	-	HM	PNT	F1	J2	H2	-		
102B	900x2150x45	D1	HM	PNT	-	HM	PNT	F1	J2	H2	-		

ABBREVIATIONS:

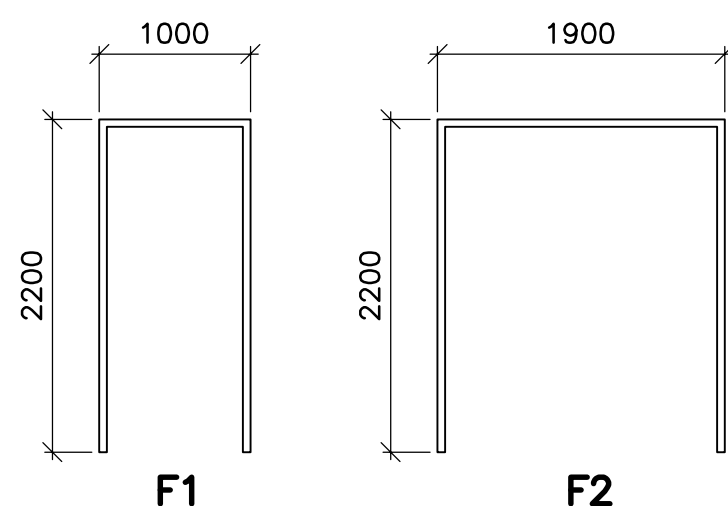
ALUM= ALUMINUM
 FR = FIRE RATING
 GYP BD = GYPSUM BOARD
 GWG = GEORGIAN WIRED GLASS
 HM = HOLLOW METAL
 MTL = METAL
 N/A = NOT APPLICABLE
 PNT = PAINTED
 PREFIN = PREFINISHED
 STL = STEEL
 TSG = TEMPERED SAFETY GLASS

ROOM FINISH SCHEDULE

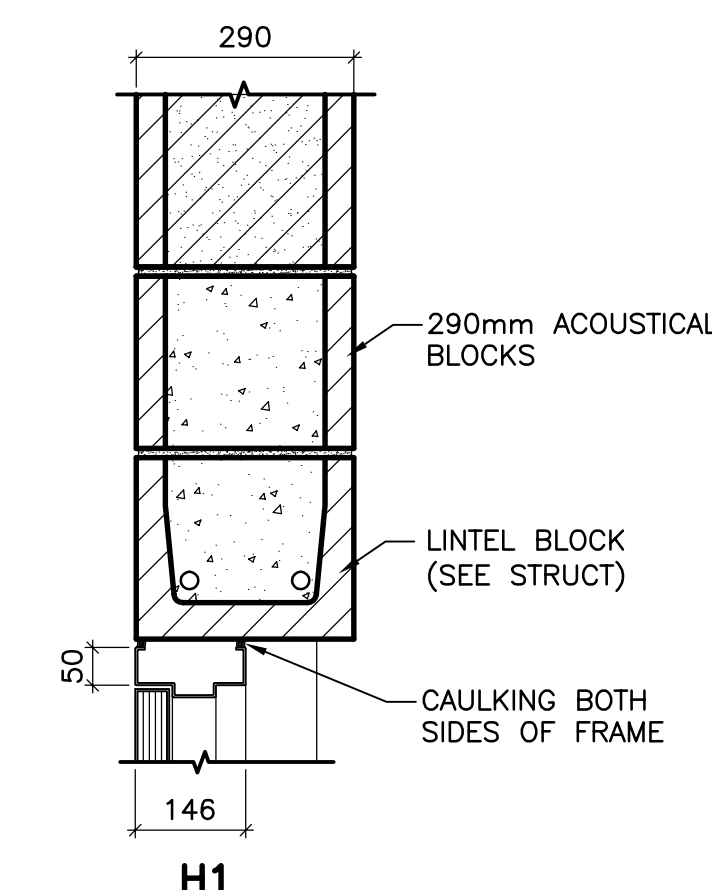
ROOM No.	ROOM NAME	FLOOR			NORTH WALL		SOUTH WALL		EAST WALL		WEST WALL		CEILING		HGT. AFF	REMARKS
		MAT.	FIN.	BASE	MAT.	FIN.	MAT.	FIN.	MAT.	FIN.	MAT.	FIN.	MAT.	FIN.		
GROUND FLOOR																
101	GENERATOR ROOM	CONC	SEAL	SEAL	CONC BLK	PNT	CONC BLK	PNT	CONC BLK	PNT	CONC BLK	PNT	CONC	PNT	8326	
102	ELECTRICAL ROOM	CONC	SEAL	SEAL	CONC BLK	PNT	CONC BLK	PNT	CONC BLK	PNT	CONC BLK	PNT	CONC	PNT	8326	



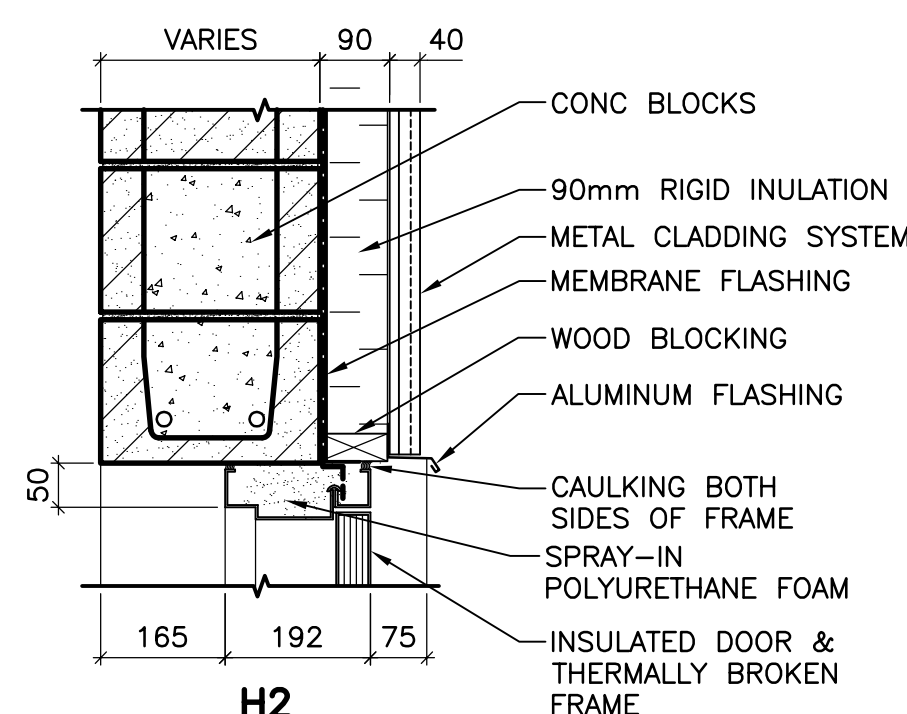
DOOR TYPES
SCALE 1:50



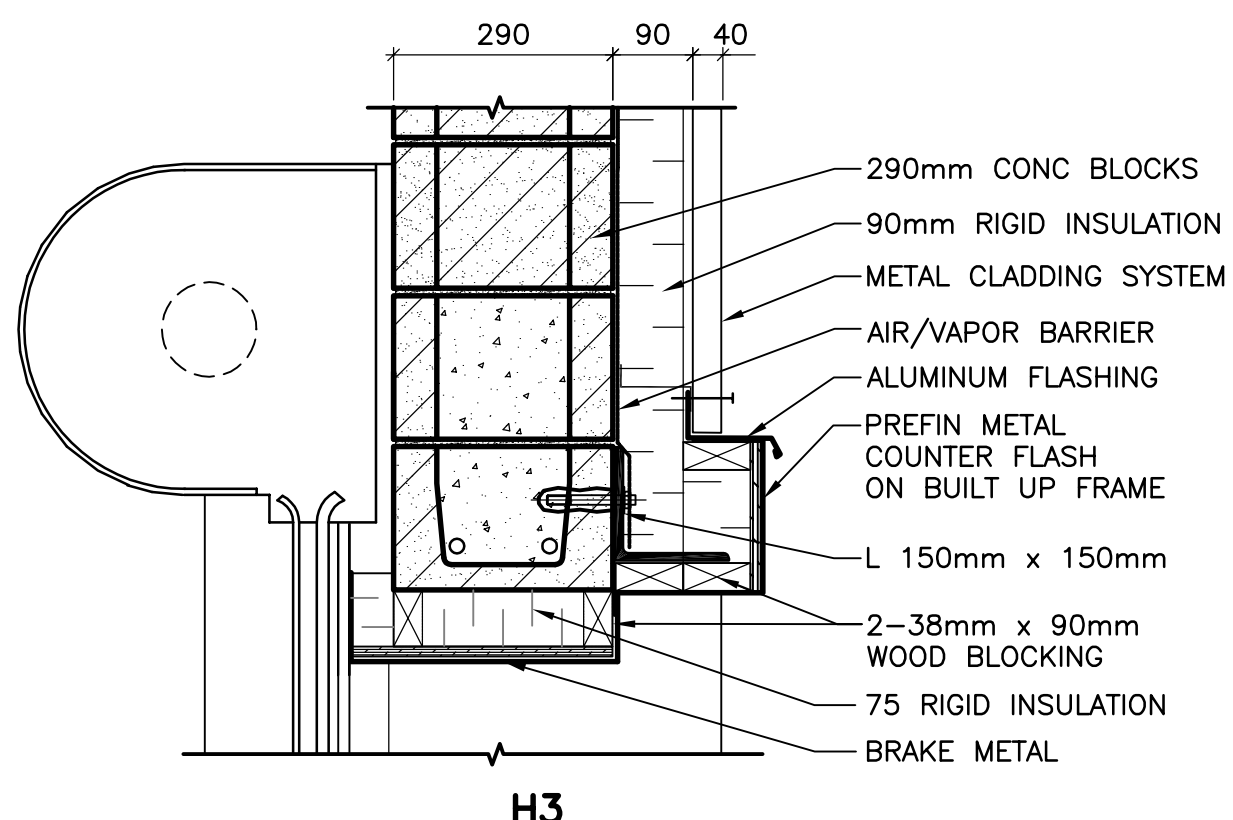
FRAME TYPES
SCALE 1:50



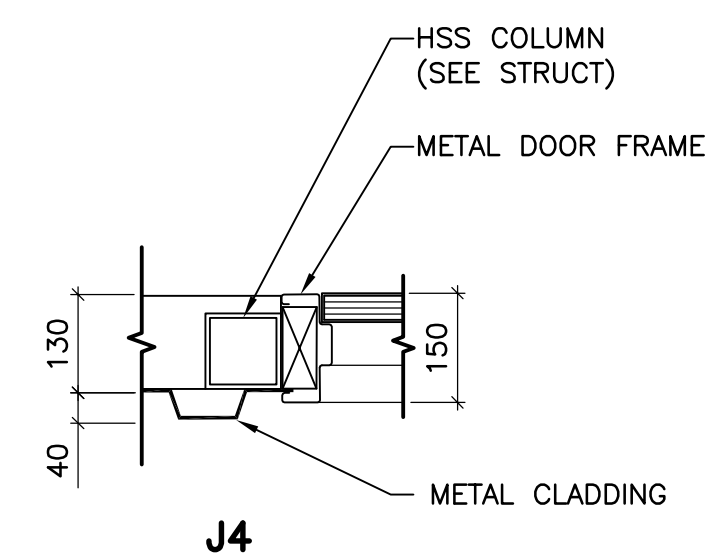
HEAD TYPES
SCALE 1:10



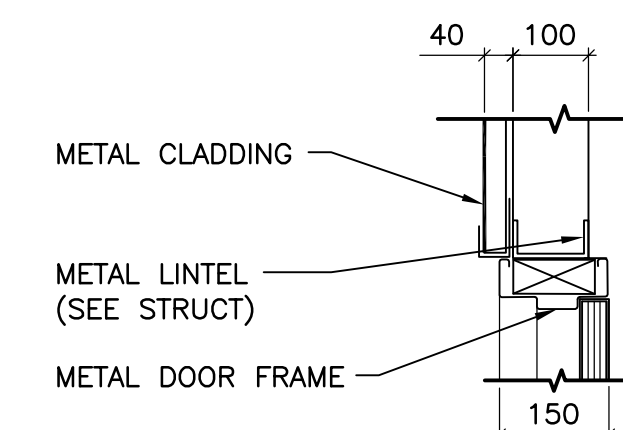
H2



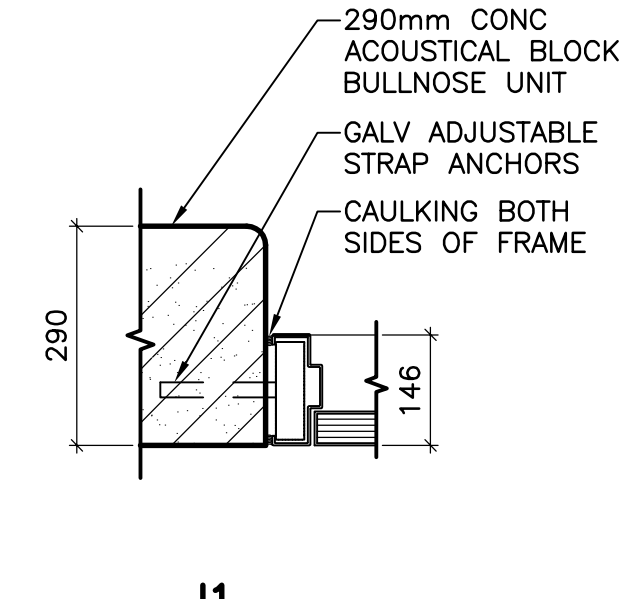
H3



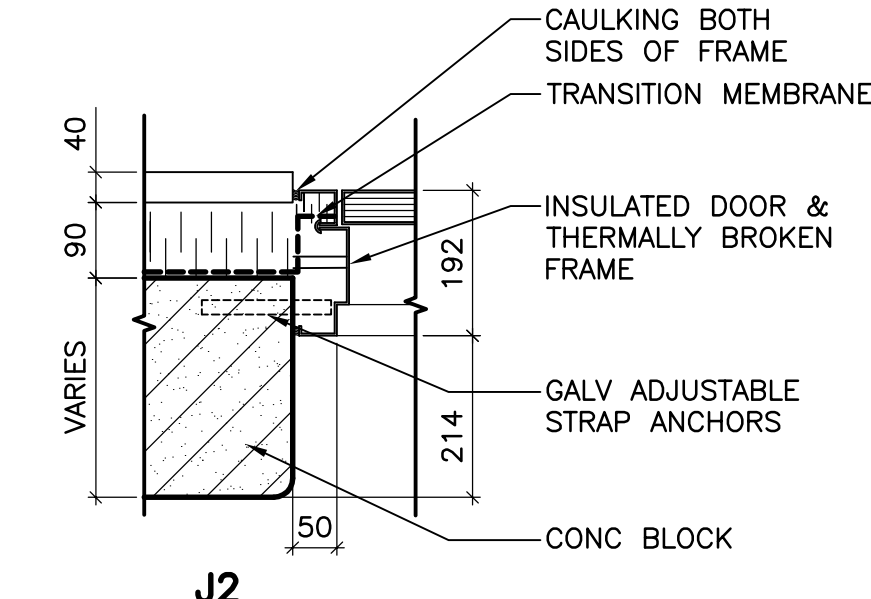
J4



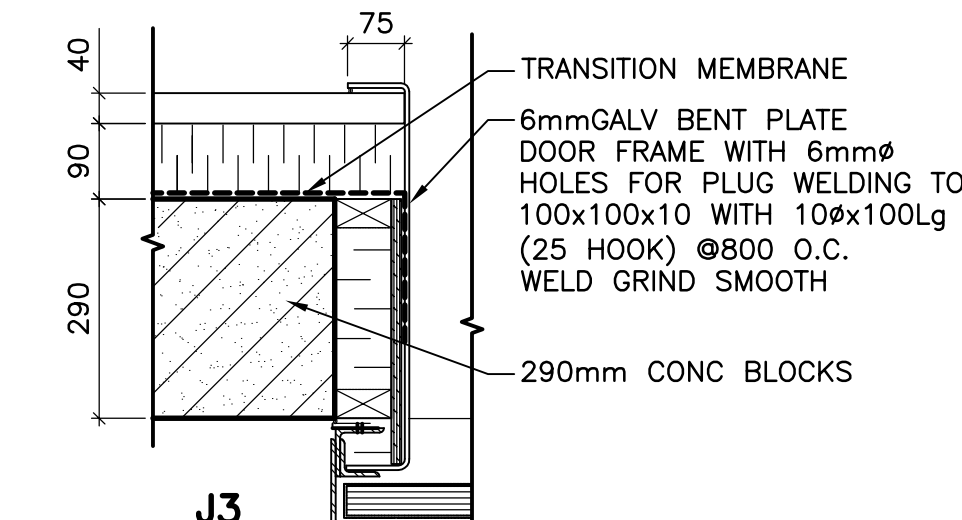
H4



J1



J2



J3

JAMB TYPES
SCALE 1:10

BUILDING CODE ANALYSIS

Winnipeg Water Treatment Plant Standby Power Generator Building
Winnipeg, Manitoba

Building Code Analysis

1.0 Description

- ◆ Building Area: 729.70 m2 (7,850.4 sf)
- ◆ Sprinklered: No
- ◆ Occupancy Type: Group F, Division 3
- ◆ Occupant Load: 4 (intermittent)
- ◆ Streets: (0)

2.0 Regulation

.1 This project may be regulated under **3.2.2.80., Group F, Division 3, One Storey**

.2 Classification

- .1 Requirements:
- ◆ 5,600 m2 (60,256 sf) Building Area (Conforms @ 729.70 m2)
 - ◆ (1) Stories (Conforms)
 - ◆ Unsprinklered (Conforms)
 - ◆ Type "F-3" Occupancy (Conforms)
 - ◆ (1) Street (Conforms)

.2 Stipulations:

- ◆ May be Combustible or Non-combustible construction
- ◆ Floor Assemblies - 45 minutes FRR. (Conforms)
- ◆ Load bearing Elements - 45 minutes FRR. (Conforms)

3.0 General Conformance

.1 3.4.2.4 - Travel Distance

.1 Maximum travel distance to an exit is 30 m (98') - Conforms (maximum travel of 20.5 m (67')).

.2 3.4.2.1 - Number of Exits

.1 Conforms (two (2) required - five (5) provided).

.3 3.2.3.1 - Limiting Distance

.1 No issues

.4 Fire Rating Separations

.1 1 HR FRR separation required between Electrical and Generator rooms (Generator Room contains fuel-fired appliances - diesel stand-by generators)

B.M. ELEV.	CH2MHILL		EarthTech		ENGINEER'S SEAL	
	Frederickson Cooper ARCHITECTS		A Geo International Ltd. Company		ORIGINAL SIGNED BY	
	DESIGNED BY	NC	CHECKED BY	LK	N. COOPER	
	DRAWN BY	AL	APPROVED BY	AHL	2006/08/30	
SCALE:	AS SHOWN		RELEASED FOR CONSTRUCTION BY:		CONSULTANT DRAWING NO.	
00 ISSUED FOR TENDER	06/08/28	AL	R. SOROKOWSKI		ROOM FINISH SCHEDULE, DOOR SCHEDULE & CODE ANALYSIS	
NO. REVISIONS	DATE	BY	DATE	DATE	WG-B0501	
			2006/06/01	2006/08/30	CITY FILE NUMBER	
					SHEET OF	
					CITY DRAWING NUMBER	
					1-0601G-A-B0501-001-000	