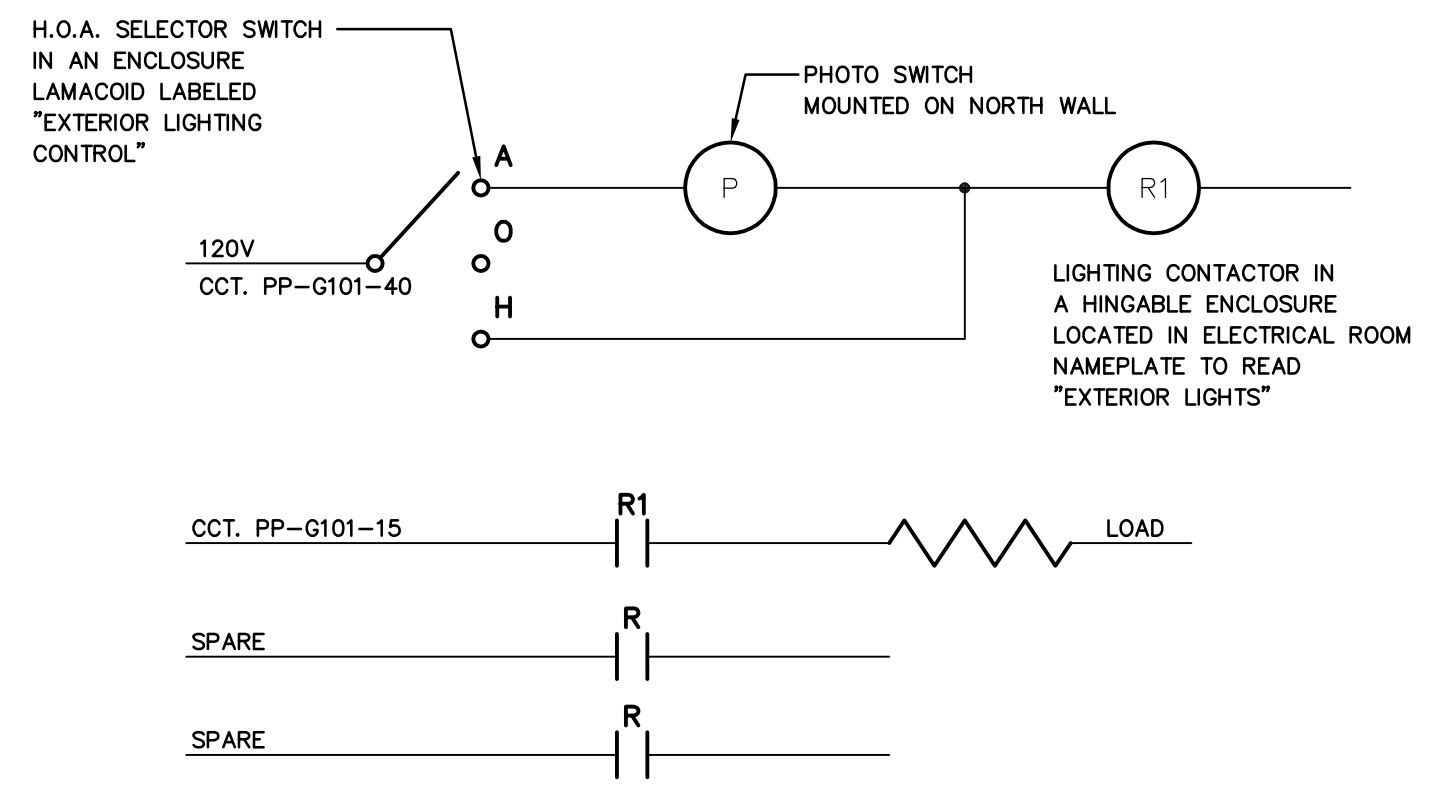


MAIN FLOOR PLAN
1:100



1 DETAIL - EXTERIOR LIGHTING CONTROL
WG-E0111 NTS

- DRAWING NOTES**
- COORDINATE LUMINAIRE CONNECTIONS WITH MECHANICAL PIPING AND DUCTWORK. WHERE REQUIRED SUSPEND LUMINAIRES BELOW SUCH EQUIPMENT.
 - PROVIDE LIGHTING CONTACTORS FOR ELECTRICAL ROOM AND GENERATOR ROOM SWITCHING.

- GENERAL NOTES**
- COORDINATE WITH OTHER TRADES TO PREVENT CONFLICTS.
 - USE PVC JACKETED TECK CABLE FOR ALL POWER WIRING.
 - ALL CONDUIT TO BE 21mmØ MINIMUM UNLESS OTHERWISE NOTED.

| | | | | | | | |
|---|-----------------------------------|---|--|------------------|---|---|---------------------------------|
| <p>Certificate of Authorization Earth Tech Canada Inc. No. 730 Expiry: April 30, 2007</p> | B.M. ELEV. | <p>Frederickson Cooper ARCHITECTS</p> | <p>A Tyco International Ltd. Company</p> | ENGINEER'S SEAL | <p>THE CITY OF WINNIPEG WATER AND WASTE DEPARTMENT ENGINEERING DIVISION</p> | | |
| | | | | DESIGNED BY: BLM | | CHECKED BY: PS | ORIGINAL SIGNED BY: B.L. MOORE |
| | | | | DRAWN BY: ERC | | APPROVED BY: AHL | 2006/08/30 |
| | | | | SCALE: NTS | | RELEASED FOR CONSTRUCTION BY: R. SOROKOWSKI | CONSULTANT DRAWING NO. WG-E0111 |
| | 00 ISSUED FOR TENDER 06/08/30 ERC | DATE 2005/10/03 | DATE 2006/08/30 | | <p>WATER TREATMENT PLANT STANDBY POWER GENERATOR GENERATOR BUILDING</p> | CITY FILE NUMBER | |
| | NO. REVISIONS | DATE | DATE | | <p>ELECTRICAL MAIN FLOOR LIGHTING PLAN</p> | SHEET OF | |
| | | | | | | CITY DRAWING NUMBER | |
| | | | | | | 1-0601G-A-E0111-001-00D | |