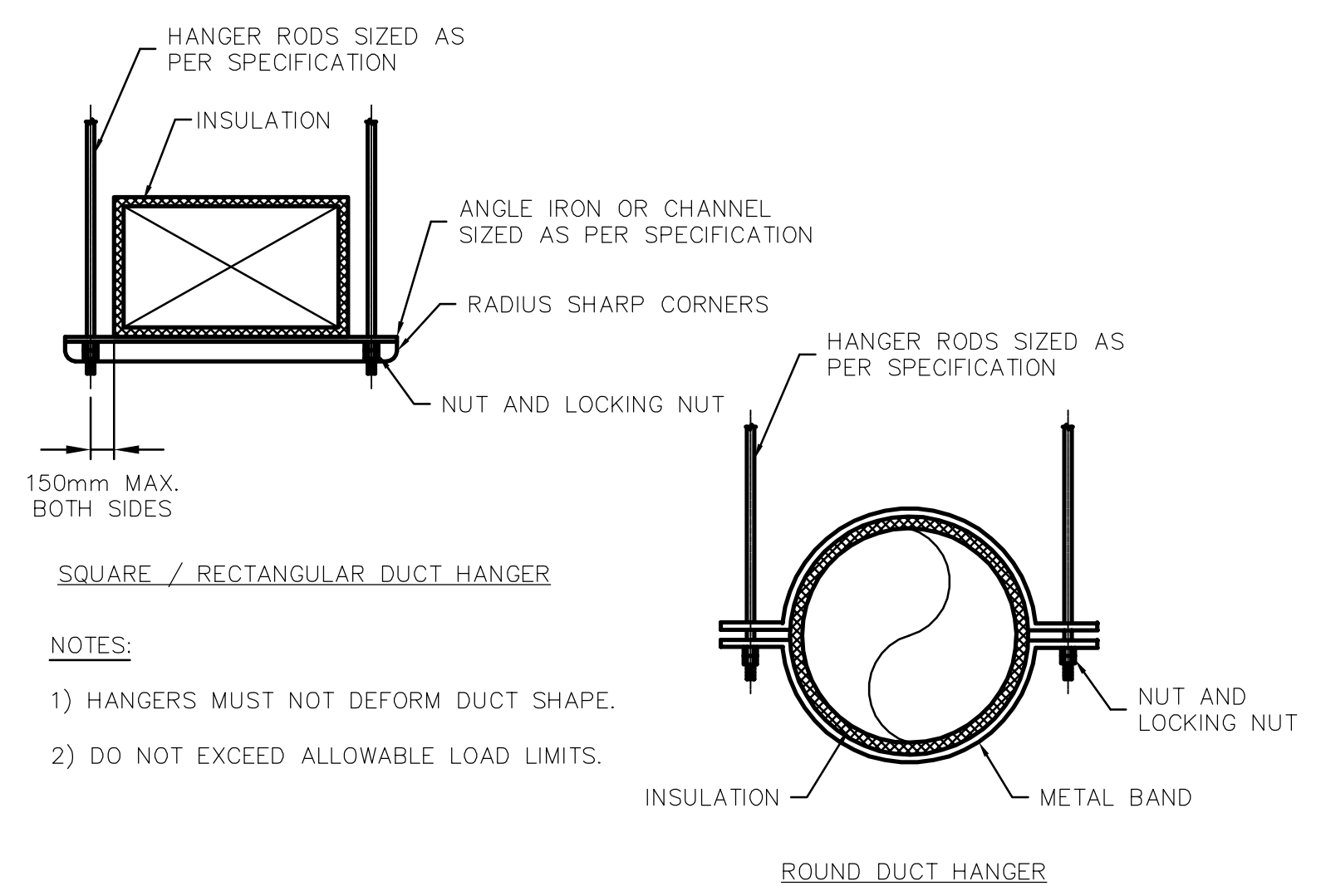
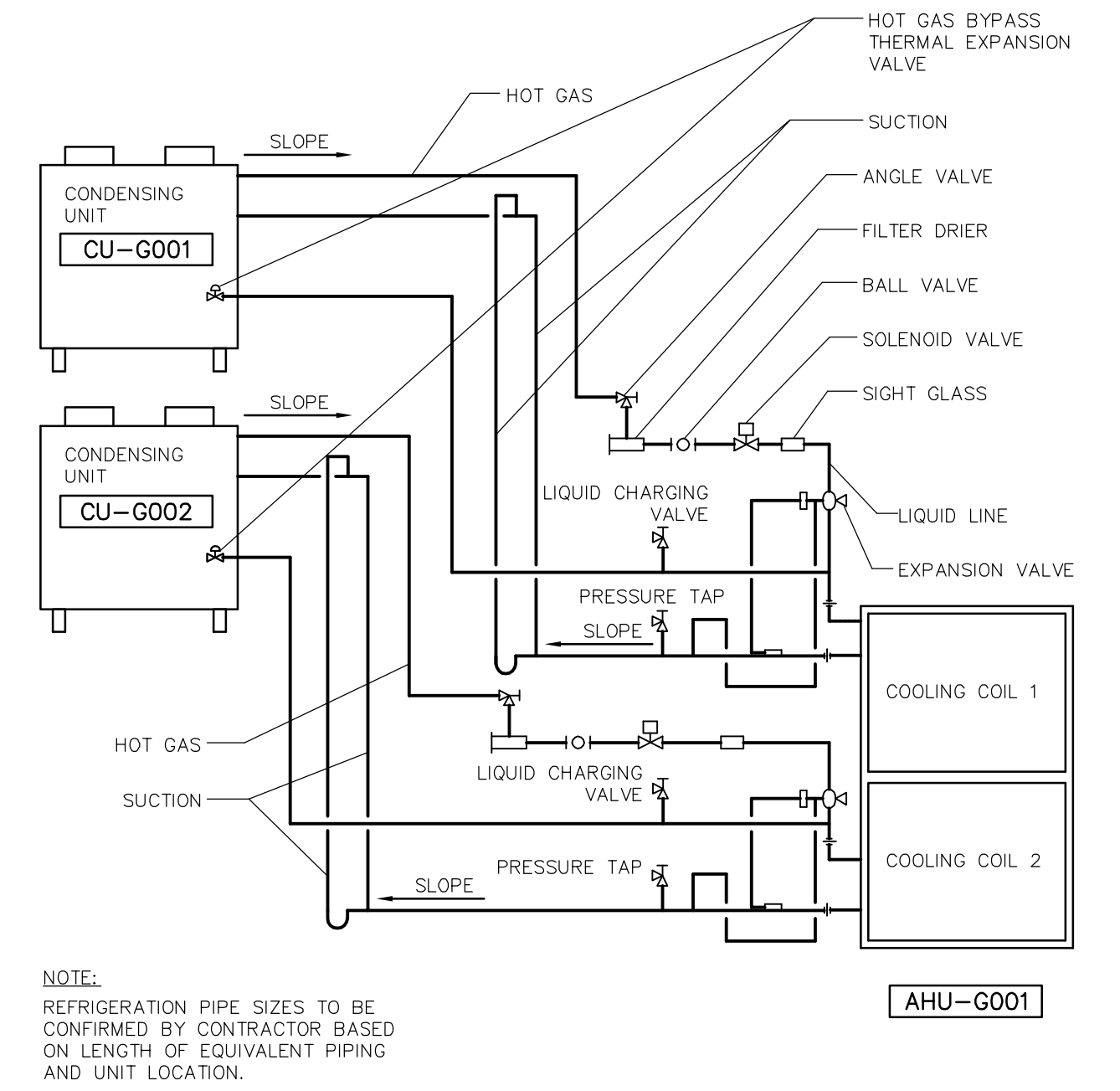


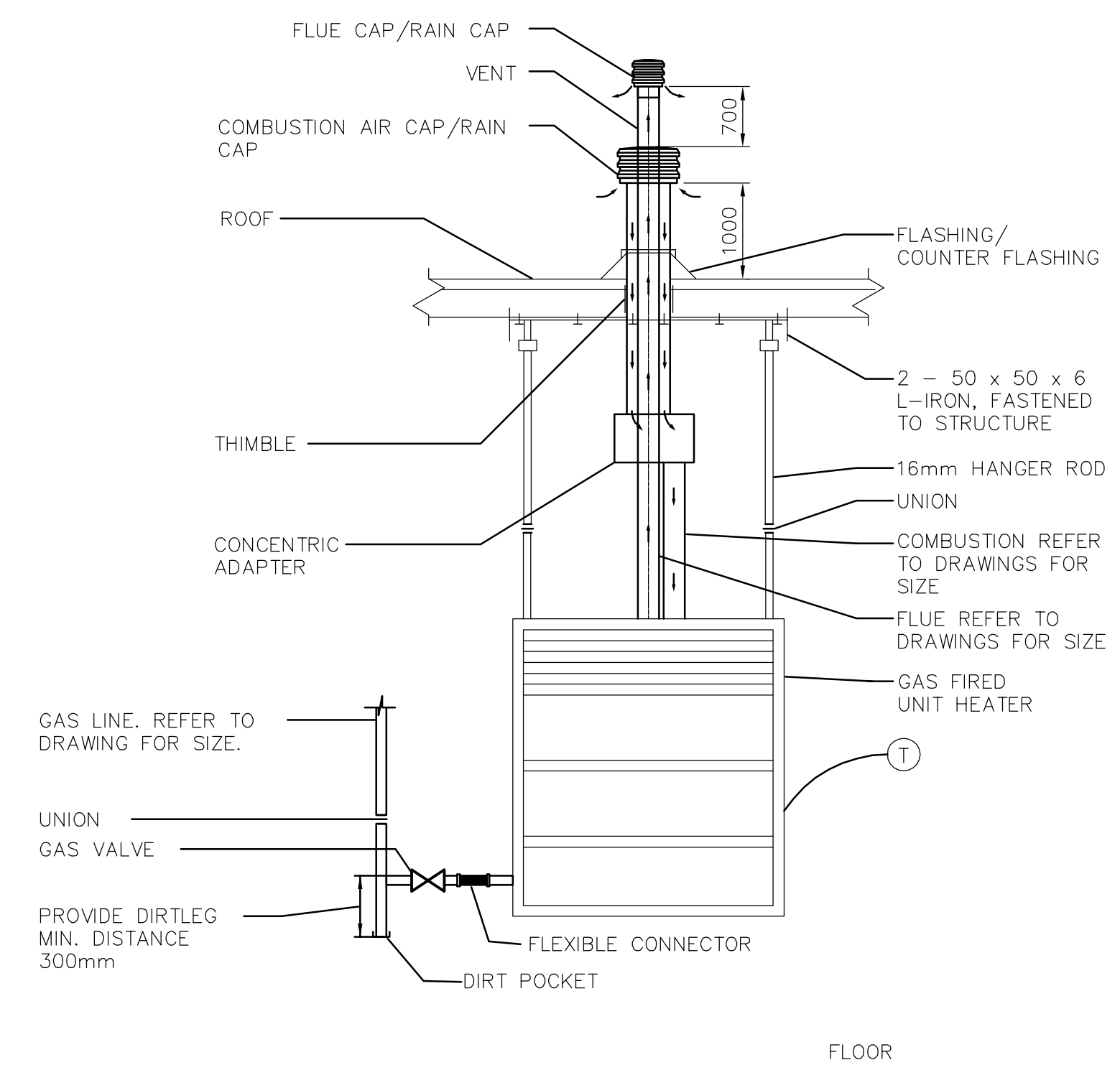
1 SQUARE/RECTANGULAR DUCTWORK CONSTRUCTION DETAIL
N.T.S.



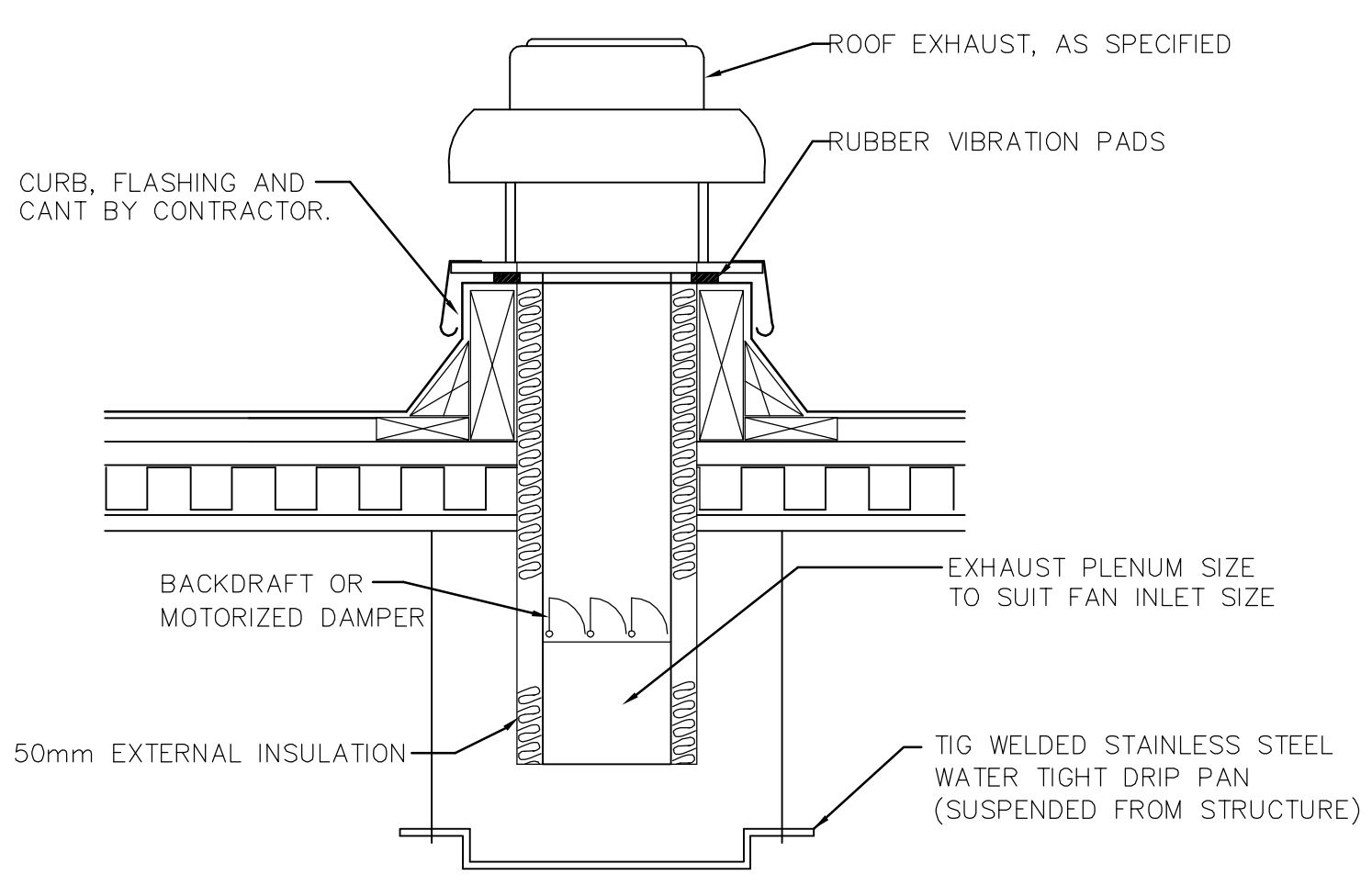
2 DUCTWORK SUPPORT AND HANGER DETAIL
N.T.S.



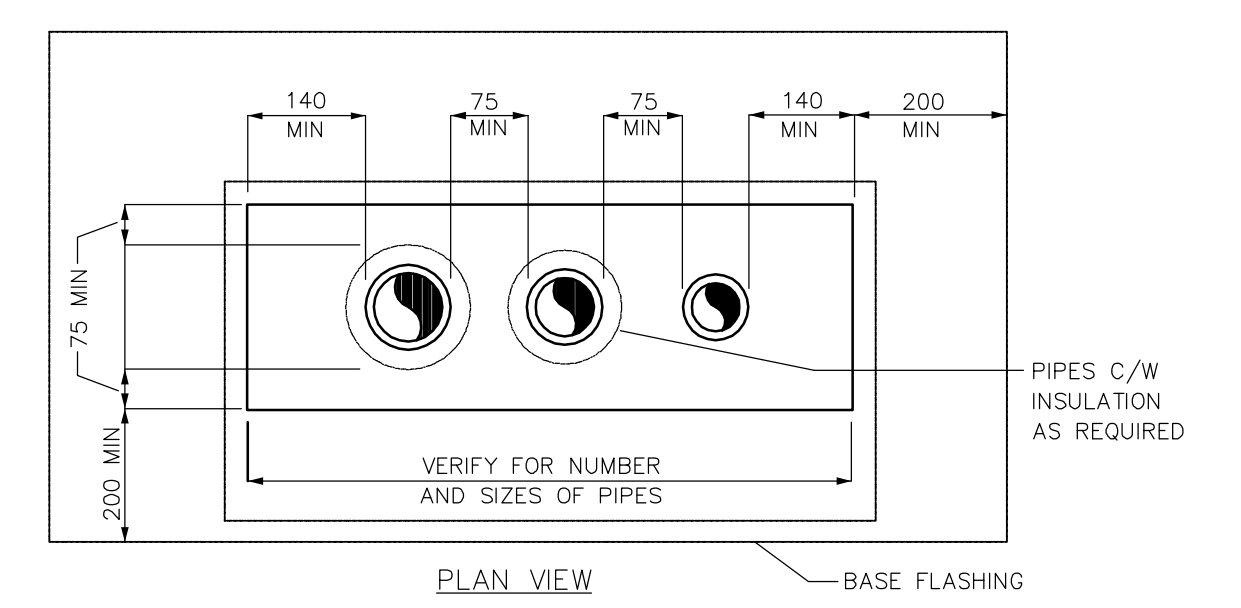
3 REFRIGERATION COIL PIPING SCHEMATIC
N.T.S.



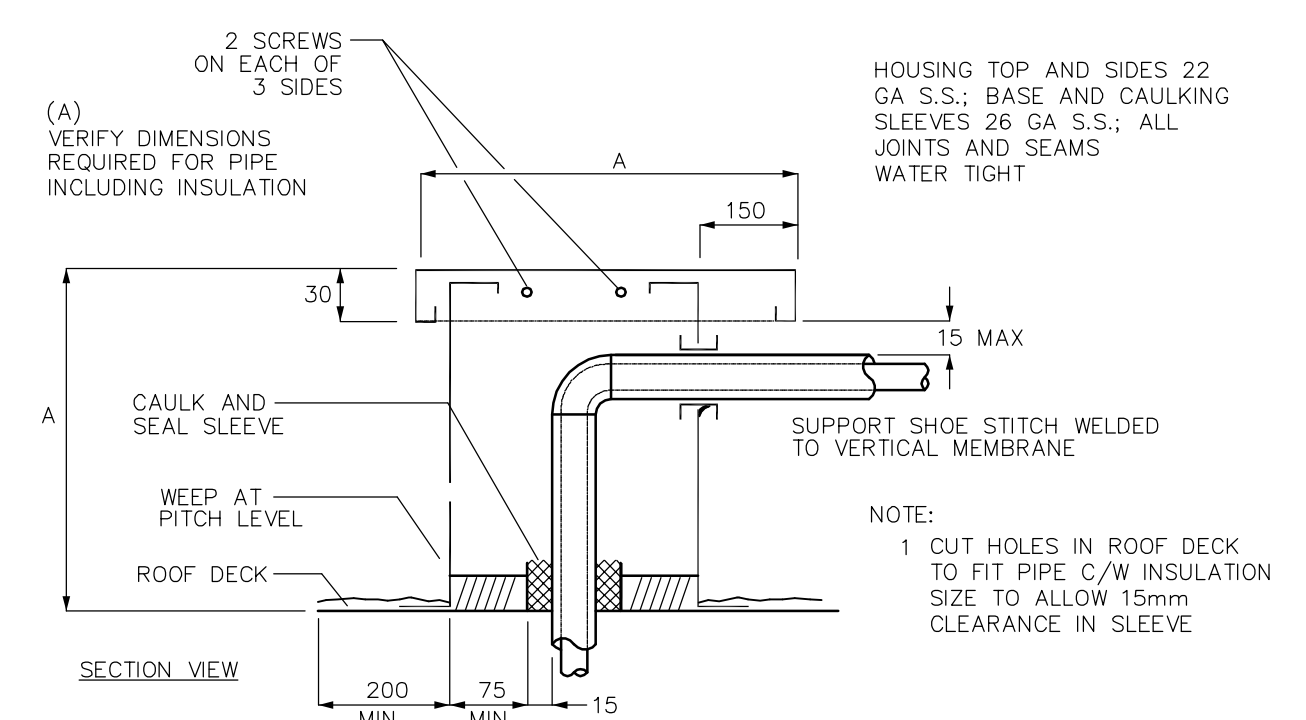
4 GAS FIRED UNIT HEATER DETAIL
N.T.S.



5 ROOF MOUNTED EXHAUST FAN
N.T.S.



SPUD GRAVEL BACK MIN 30" IN ALL DIRECTIONS FROM SUPPORTS. STRIP WITH 3 LAYERS OF ROOFING FELT EMBEDDED IN HOT ASPHALT; GRAVEL TO MATCH EXISTING



6 MULTIPLE PIPE & CABLE THROUGH MEMBRANE ROOF DETAIL
N.T.S.



B.M. ELEV.			
DESIGNED BY	AB/LJW	CHECKED BY	AMA, PVL
DRAWN BY	LJW	APPROVED BY	AHL
SCALE:	N.T.S.	RELEASED FOR CONSTRUCTION BY:	R. SOROKOWSKI
00 ISSUED FOR TENDER	06/08/28	DATE	2006/05/29
NO. REVISIONS	DATE	BY	DATE

CH2M HILL
Frederickson Cooper ARCHITECTS

EarthTech
A Tyco International Ltd. Company

ENGINEER'S SEAL
ORIGINAL SIGNED BY
A. BURACHYNSKY
2006/08/30
CONSULTANT DRAWING NO.
WG-H0401

THE CITY OF WINNIPEG
WATER AND WASTE DEPARTMENT
ENGINEERING DIVISION

WATER TREATMENT PLANT
STANDBY POWER GENERATOR

MECHANICAL
VENTILATION STANDARD DETAIL

CITY FILE NUMBER
SHEET OF
CITY DRAWING NUMBER
1-0601G-A-H0401-001-000