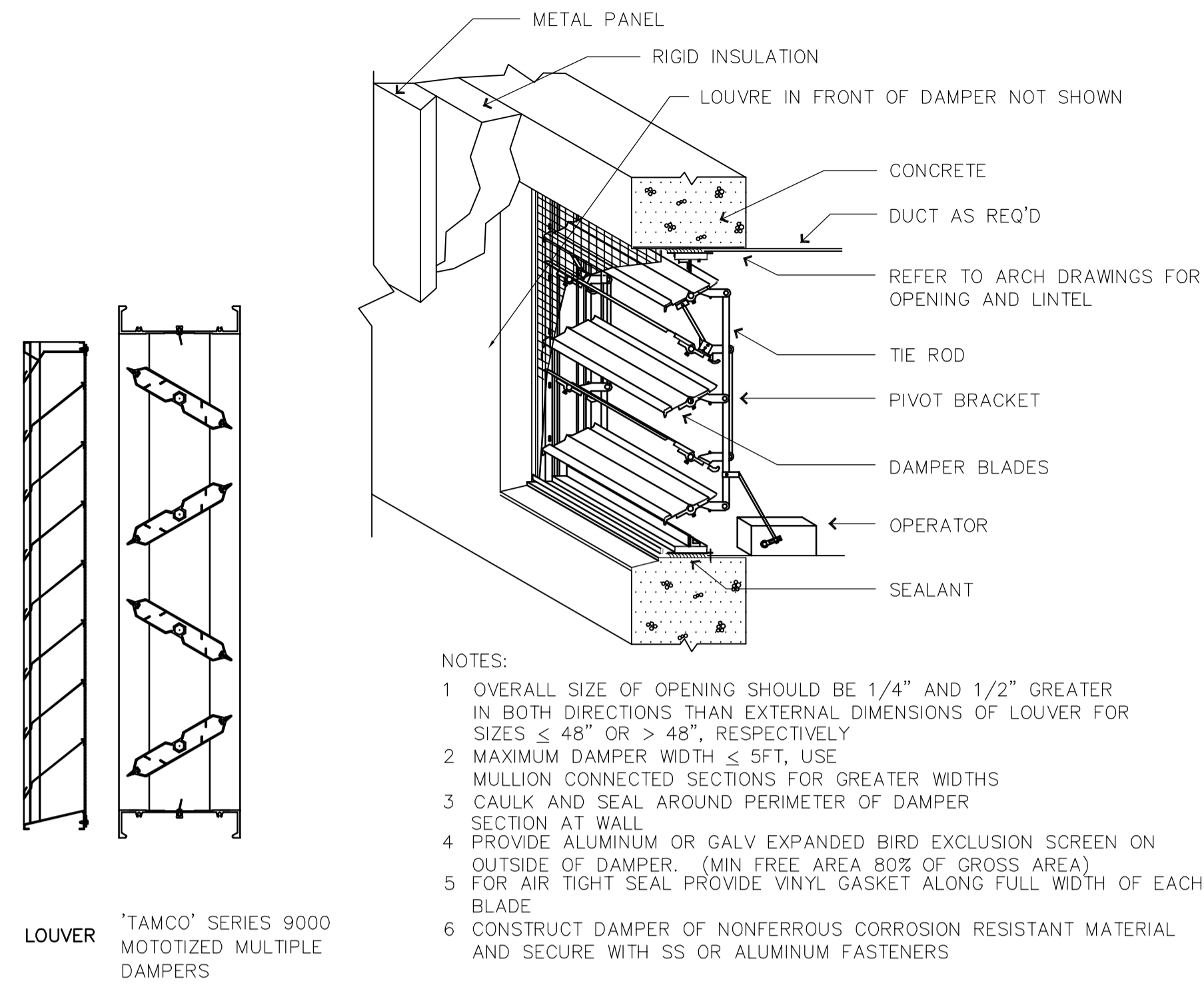
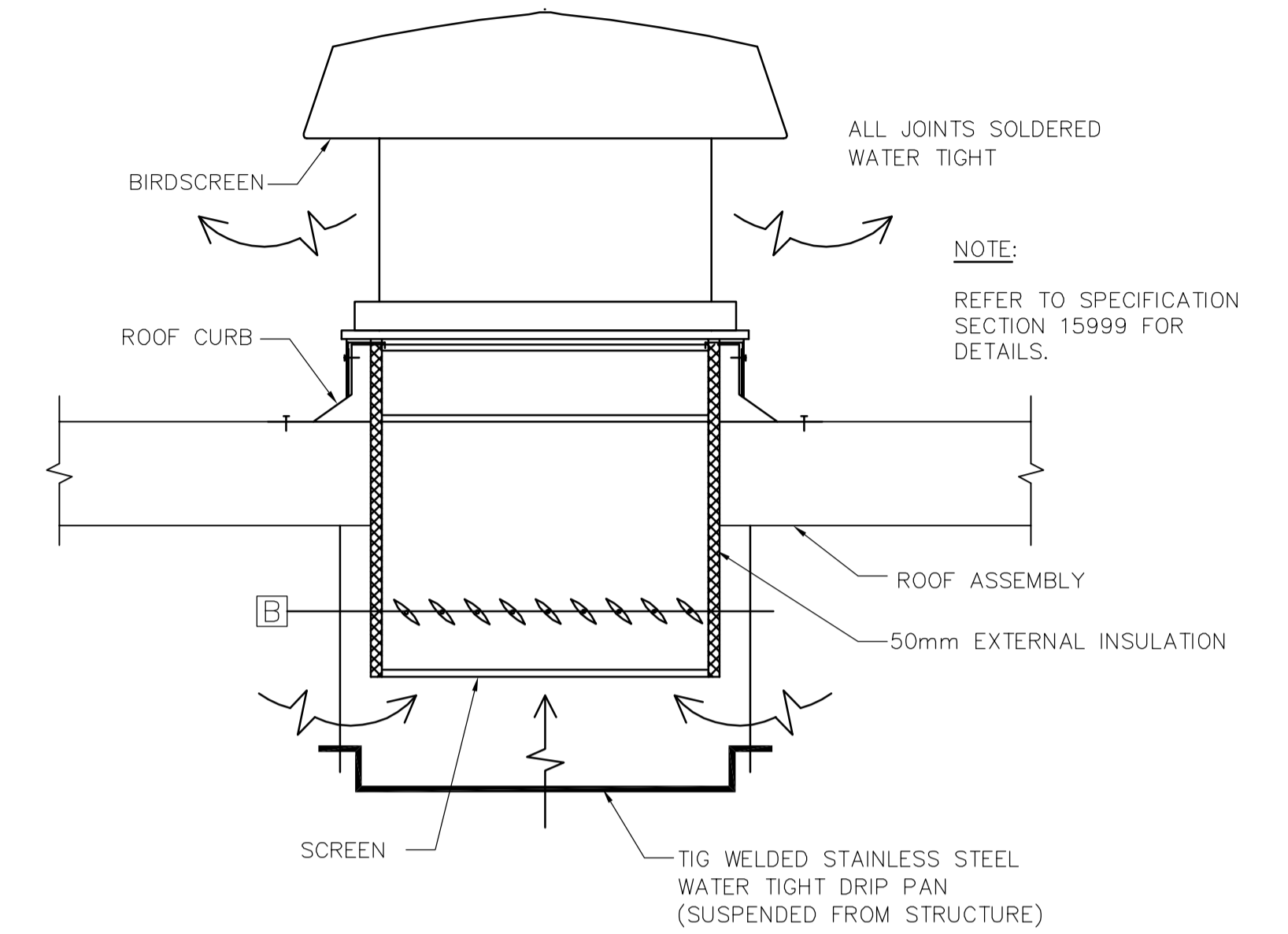


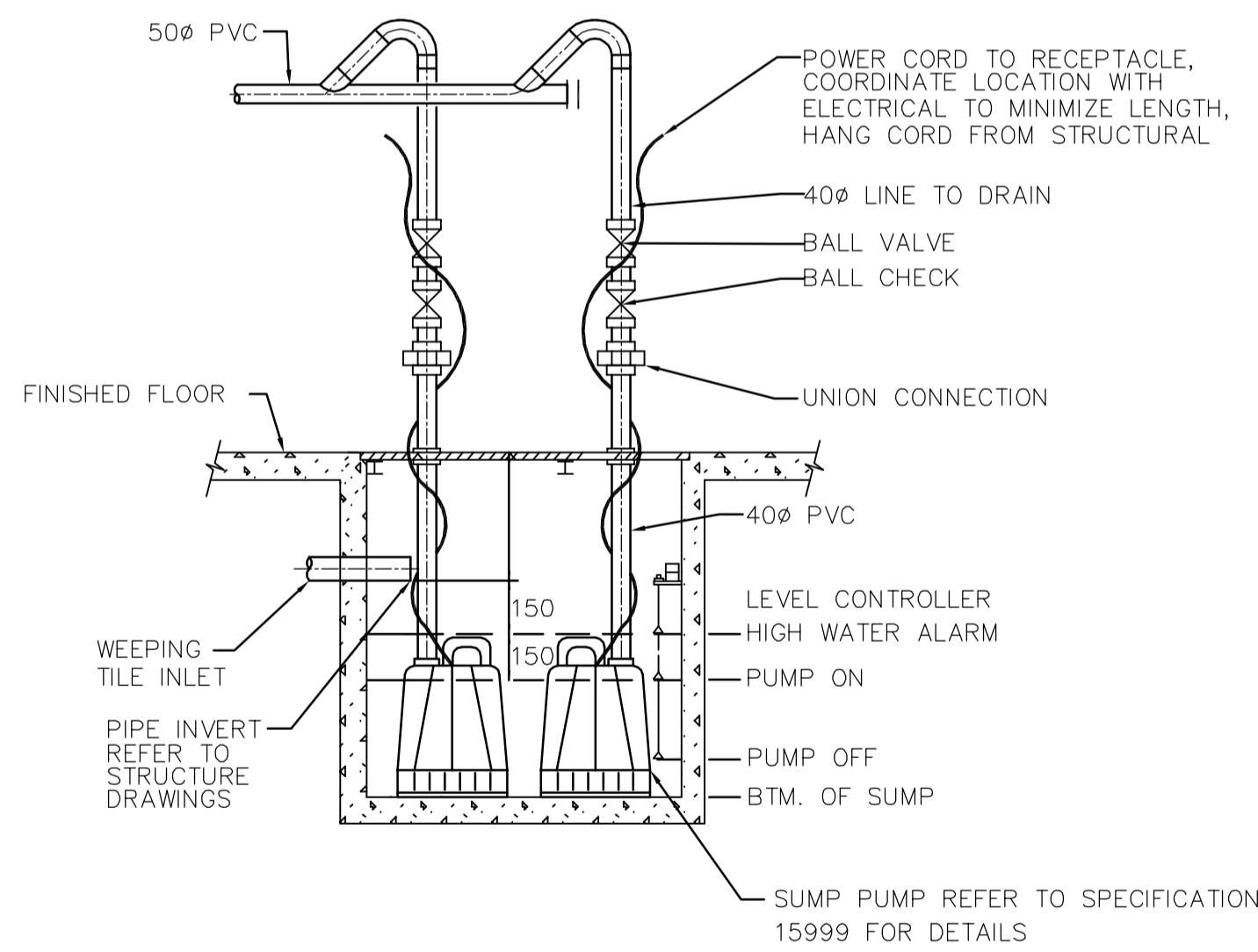
1 WALL MOUNTED EXHAUST FAN DETAIL
- N.T.S.



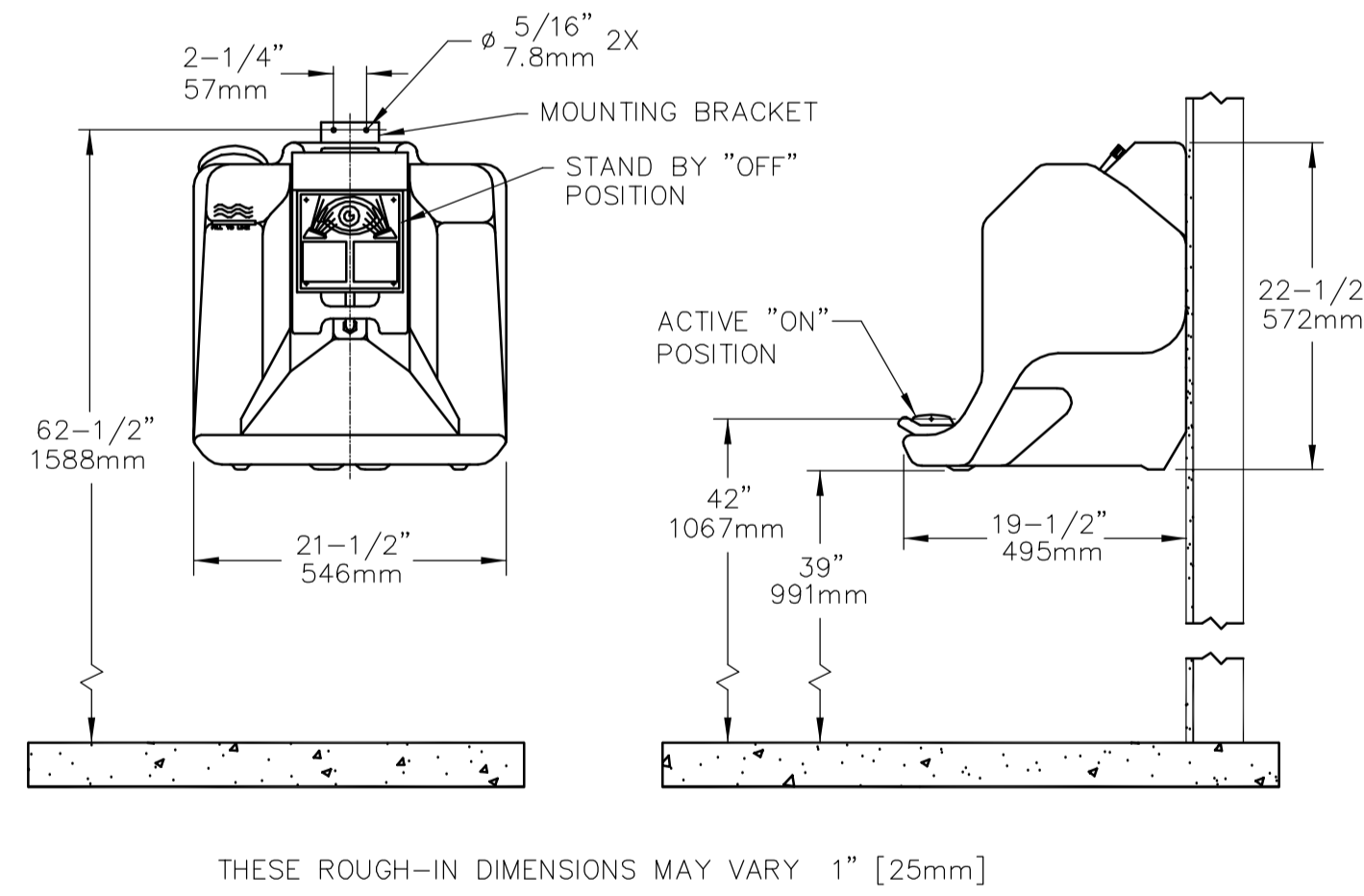
2 LOUVER AND DAMPER IN MASONRY WALL
- N.T.S.



5 GRAVITY RELIEF HOOD DETAIL
- N.T.S.



3 SANITARY PUMP DETAIL
- N.T.S.



4 PORTABLE EYE WASH DETAIL (EEW)
- N.T.S.



B.M. ELEV.			
DESIGNED BY	AB/LJW	CHECKED BY	AMA, PVL
DRAWN BY	LJW	APPROVED BY	AHL
SCALE:	N.T.S.	RELEASED FOR CONSTRUCTION BY:	R. SOROKOWSKI
ISSUED FOR TENDER	06/08/28	DATE	2006/05/29
NO. REVISIONS		DATE	2006/08/30

CH2M HILL
Frederickson Cooper ARCHITECTS

EarthTech
A Tyco International Ltd. Company

ENGINEER'S SEAL

ORIGINAL SIGNED BY
A. BURACHYNSKY
2006/08/30

CONSULTANT DRAWING NO.
WG-H0402

THE CITY OF WINNIPEG
WATER AND WASTE DEPARTMENT
ENGINEERING DIVISION

Winnipeg

WATER TREATMENT PLANT
STANDBY POWER GENERATOR

MECHANICAL
STANDARD DETAIL

CITY FILE NUMBER
SHEET OF

CITY DRAWING NUMBER
1-0601G-A-H0402-001-000