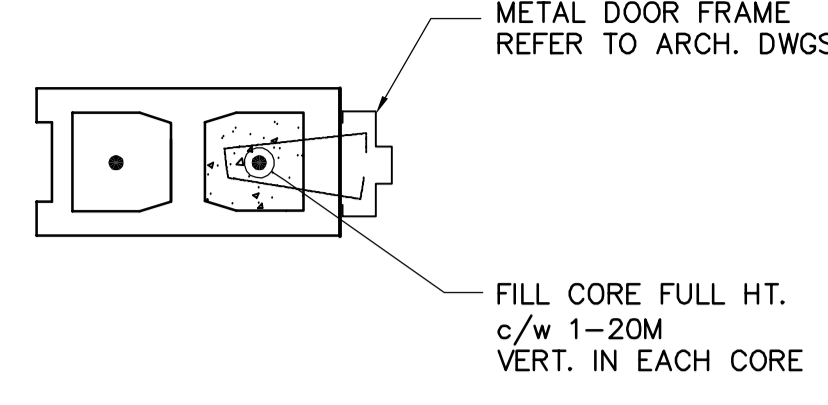


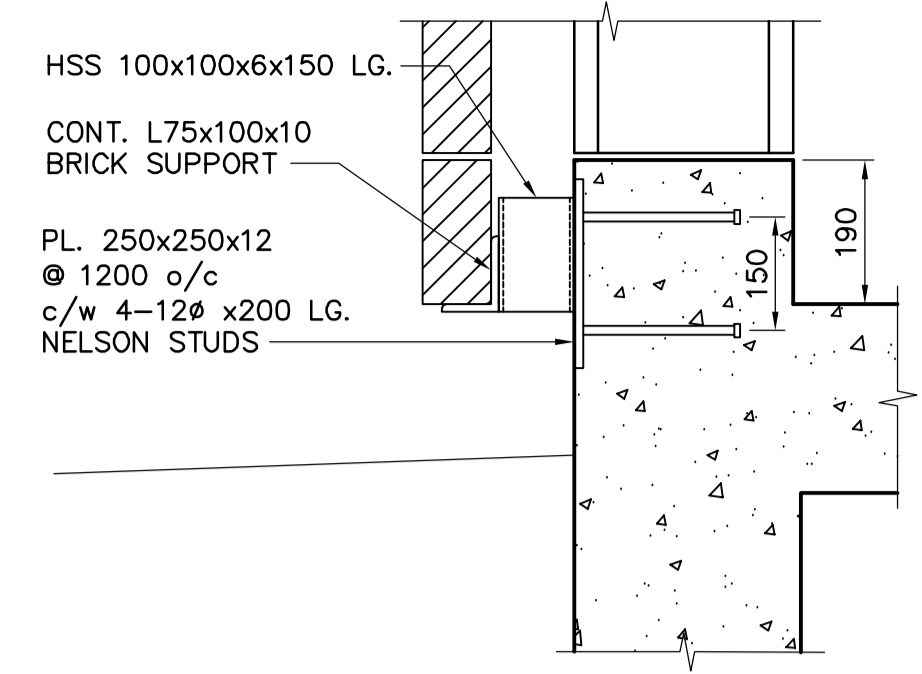
TYPICAL DOOR JAMB REINFORCING
SCALE N.T.S.

STANDARD DETAILS FOR SOUND BLOCK

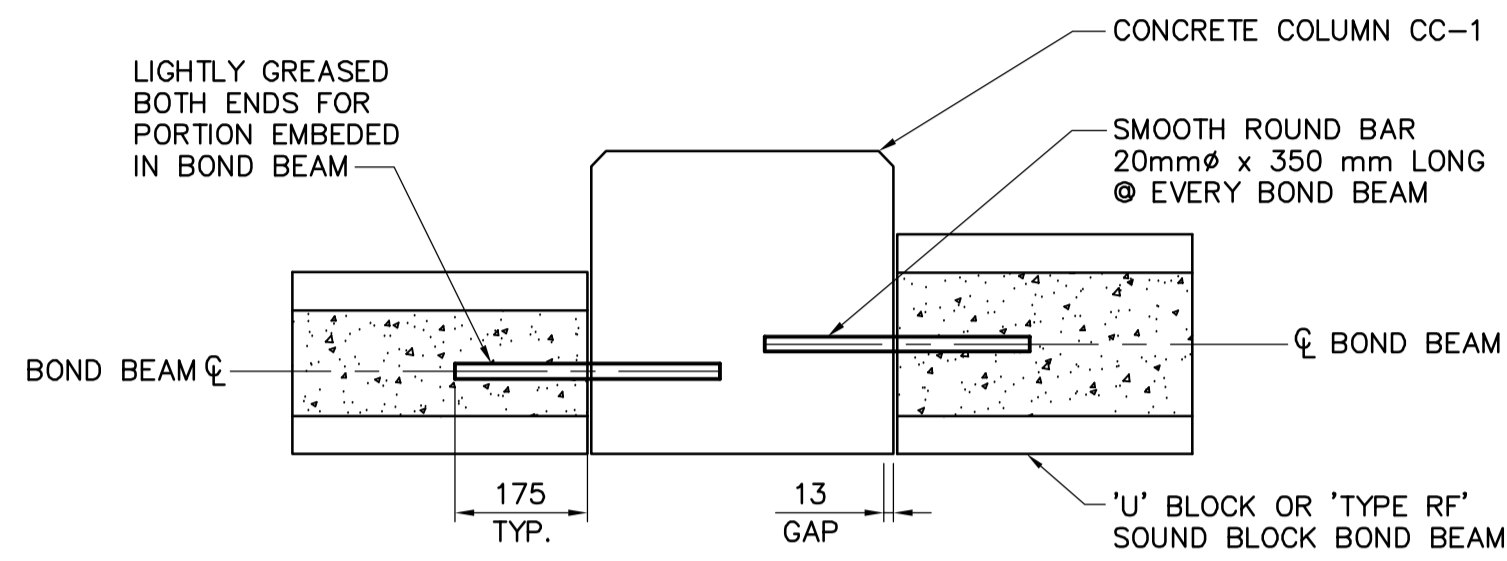


TYPICAL DOOR JAMB REINFORCING
SCALE N.T.S.

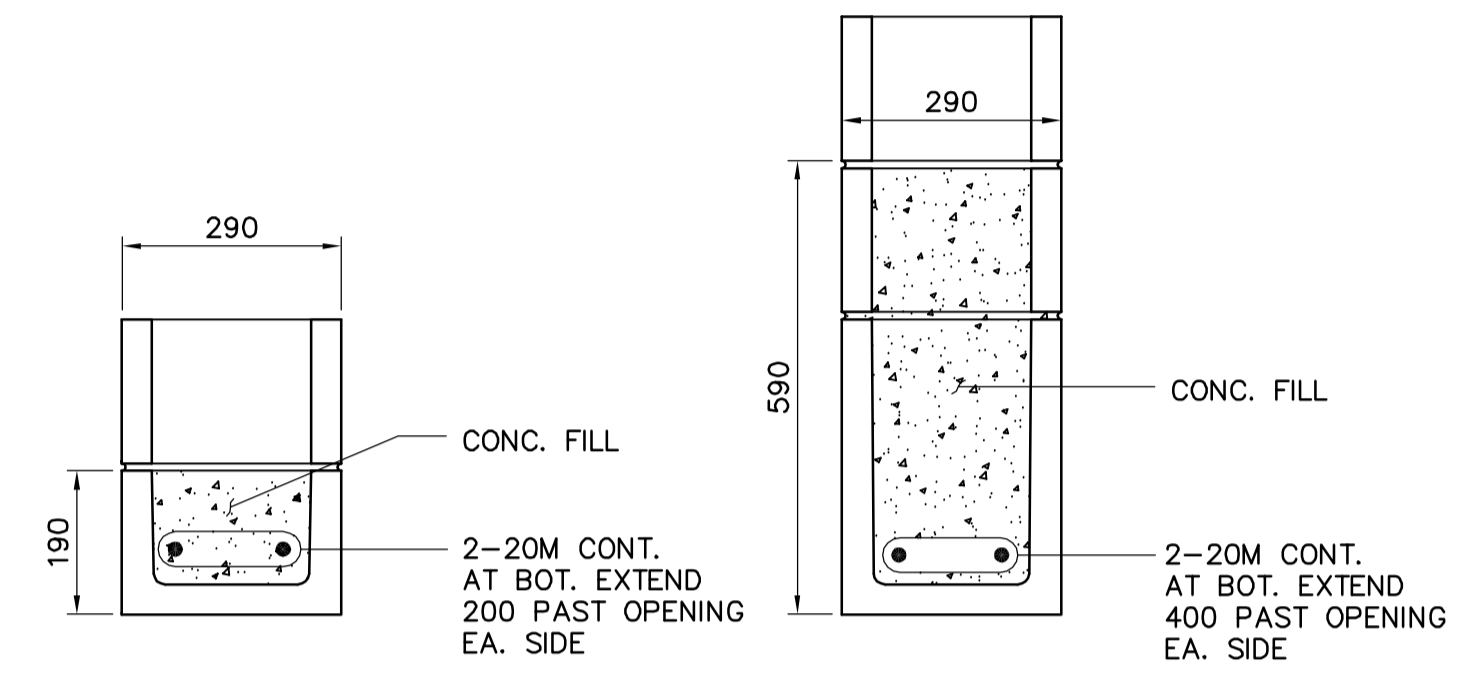
STANDARD DETAILS FOR STANDARD BLOCK



MASONRY SUPPORT AT FOUNDATION
SCALE N.T.S.

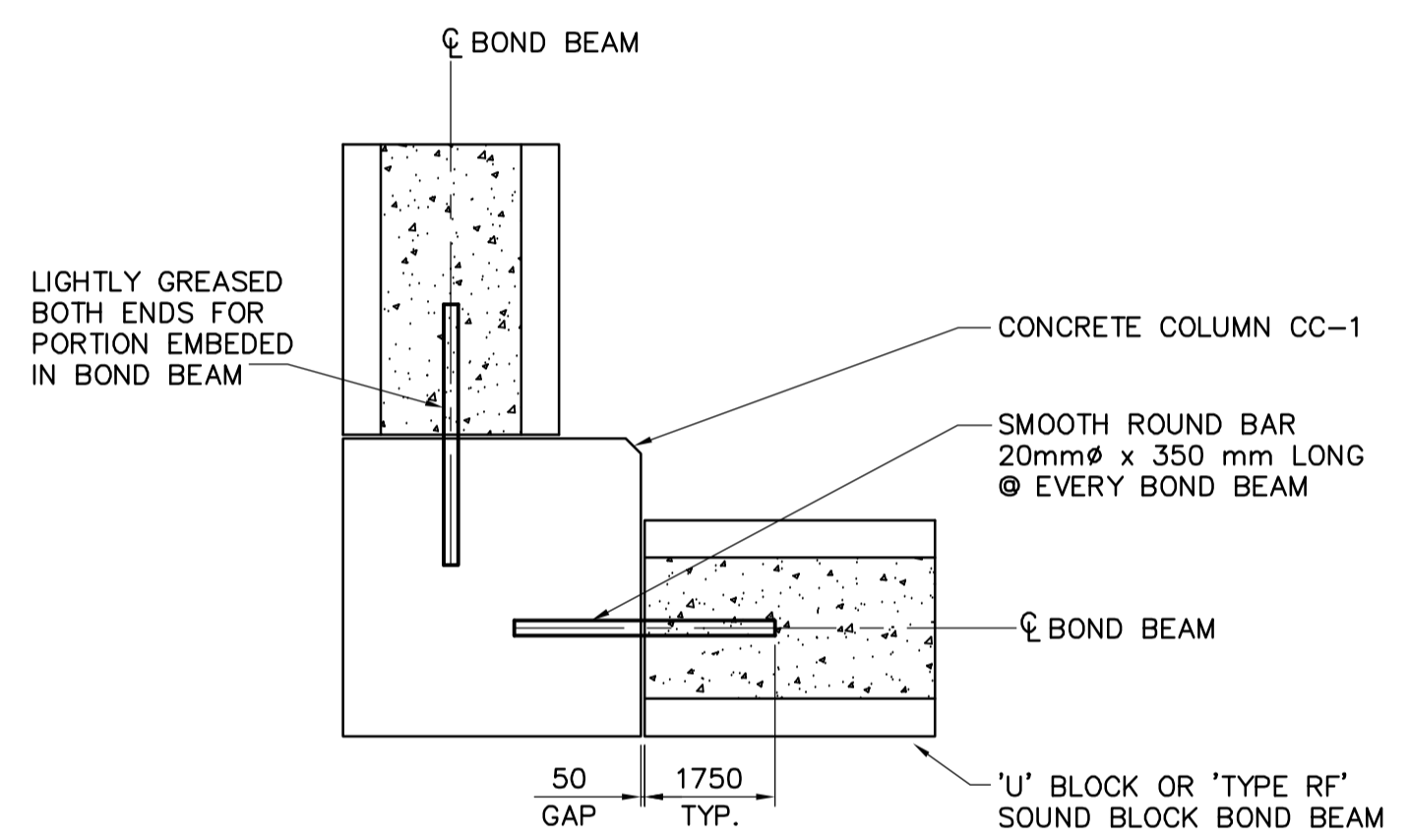


TYPICAL CONTROL JOINT DETAIL @ MID & TOP WALL
SCALE N.T.S.

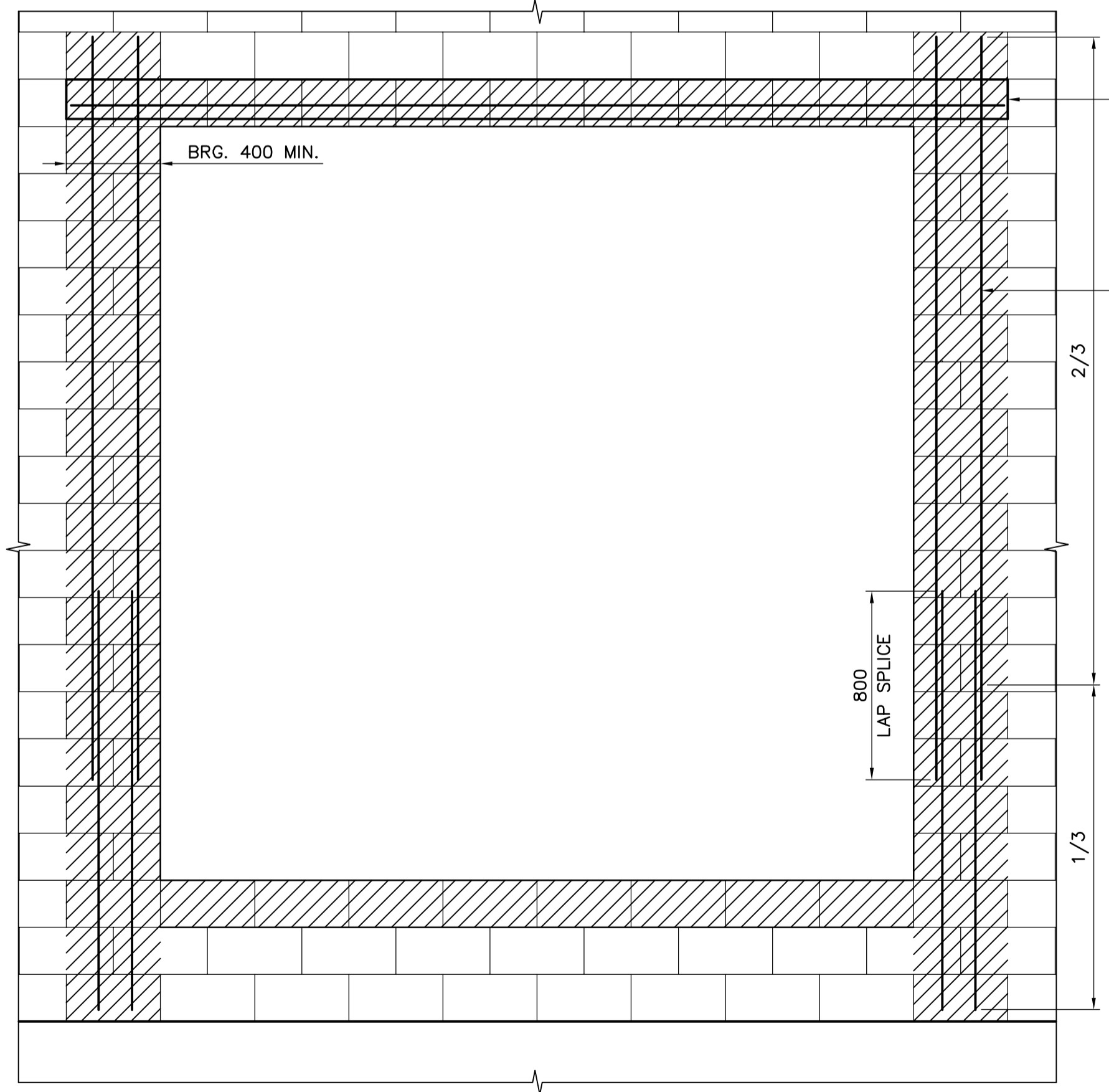


LINTEL TYPE ML-1
SCALE N.T.S.

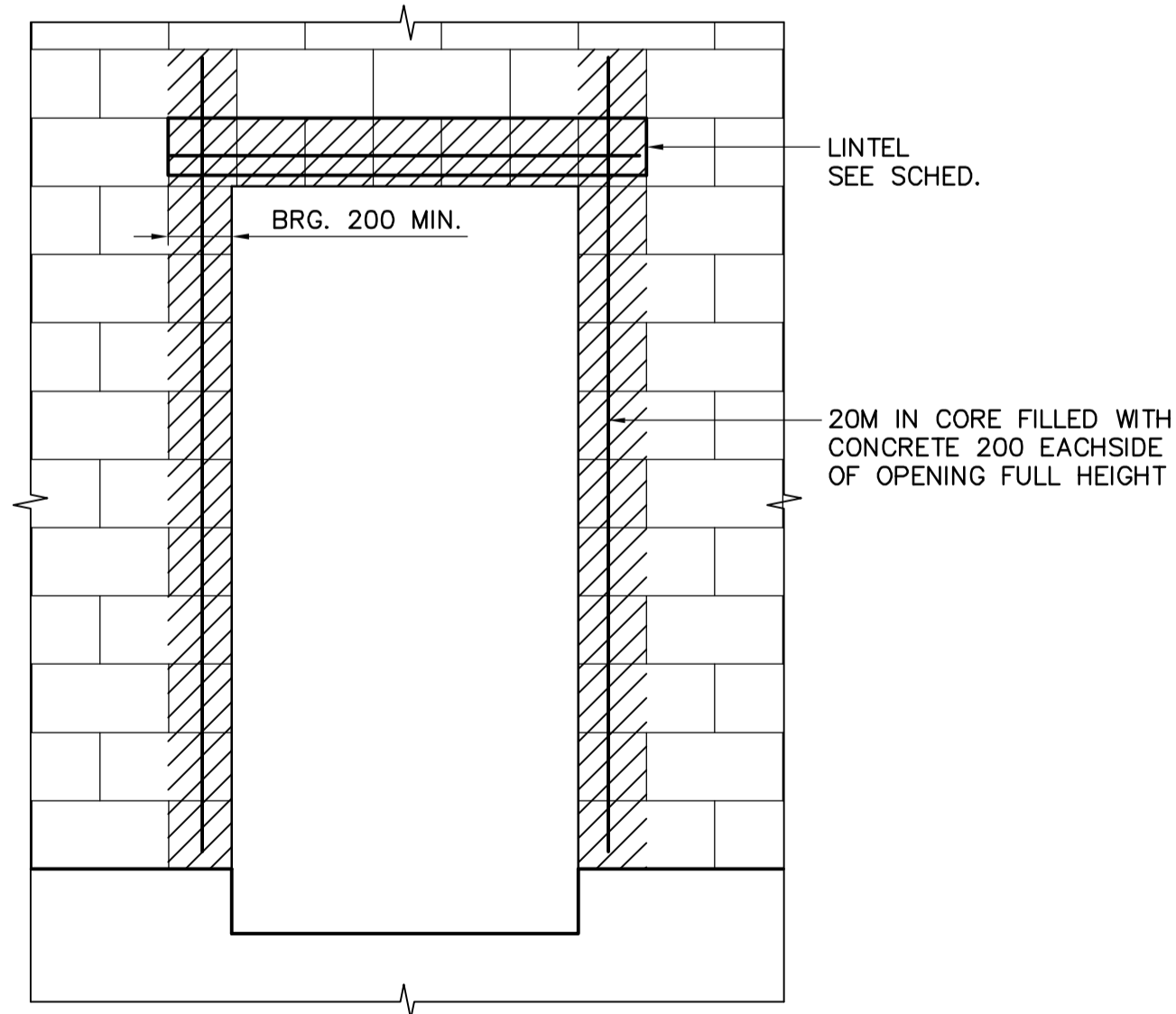
LINTEL TYPE ML-2
SCALE N.T.S.



TYPICAL CORNER CONTROL JOINT DETAIL @ MID & TOP WALL
SCALE N.T.S.



TYPICAL BEARING FOR CONCRETE BLOCK LINTELS FOR ML-2
SCALE N.T.S.



TYPICAL BEARING FOR CONCRETE BLOCK LINTELS FOR ML-1
SCALE N.T.S.

PRE-CAST CONCRETE PILE SCHEDULE				
MARK	DIAMETER	CUT-OFF	REMARKS	COMMENT
P-1 TO P-25 & P-30	400	234.825	PRECAST PILE PRE-BORE 5M	
P-26 TO P-29	400	234.825	PRECAST PILE PRE-BORE 5M	c/w 800x2000x600 CONC. PILE CAP, PC-2
P-31 TO P-53	400	235.975	PRECAST PILE PRE-BORE 5M	c/w 600x600 CONC. PILE CAP, PC-1
P-54 TO P-59	400	237.475	PRECAST PILE PRE-BORE 5M	c/w 1000x1000x150 DROP PANEL
P-60 TO P-78	400	237.025	PRECAST PILE PRE-BORE 5M	c/w 1000x9300x150 CONC. PILE CAP, PC-3
P-79 TO P-96	400	237.025	PRECAST PILE PRE-BORE 5M	
P-97 TO P-104	400	237.175	PRECAST PILE PRE-BORE 5M	
P-105 TO P-113	400	237.175	PRECAST PILE PRE-BORE 5M	

CONCRETE GRADE BEAM SCHEDULE							
MARK	WIDTH	DEPTH	REINFORCING				REMARKS
			TOP	MIDDLE	BOTTOM	STIRRUPS	
GB-1	400	900	6-25M	2-25M E.F.	6-25M	15M @ 200 o/c	290Wx490H UPSTAND CURB R/W 15M HORIZ. @ 200 o/c E.F. & 15M VERT. @ 200 o/c E.F.

CONCRETE BEAM SCHEDULE							
MARK	WIDTH	DEPTH	REINFORCING				REMARKS
			TOP	MIDDLE	BOTTOM	STIRRUPS	
CB-1	400	915	6-25M	3-20M EA. FACE	6-25M	15M @ 200 o/c	200Wx610H UPSTAND CURB R/W 15M @ 200 o/c VERT., AND 15M @ 200 o/c HORIZ.
CB-2	400	400	4-20M		4-20M	15M @ 200 o/c	
CB-3	400	600	4-25M		4-25M	15M @ 300 o/c	
CB-4	400	650	4-25M		6-25M	15M @ 300 o/c	INTIGRATED INTO CONC. FLOOR SLAB

CONCRETE COLUMN & PILASTER SCHEDULE					
MARK	SIZE	REINFORCING			REMARKS
		VERT.	STIRRUPS	ADDITIONAL	
CC-1, CP-1	400x400	8-25M	15M @ 150 o/c		SEE DETAIL
CC-2, CP-2	400x400	4-25M	15M @ 150 o/c		SEE DETAIL

MASONRY WALL SCHEDULE					
MARK	SIZE	REINFORCING	TYPE	CORE FILL	REMARKS
MW-1	290	20M VERT @ 400 o/c	CONCRETE	FILL ALL REINF CORES w/ 25MPa CONC	STRUCTURAL SOUND BLOCK
MW-2	240	20M VERT @ 200 o/c	CONCRETE	FILL ALL REINF CORES w/ 25MPa CONC	STANDARD BLOCK
MW-3	190	20M VERT @ 400 o/c	CONCRETE	FILL ALL REINF CORES w/ 25MPa CONC	STRUCTURAL SOUND BLOCK

MASONRY LINTEL SCHEDULE					
MARK	SIZE	REINFORCING	TYPE	CORE FILL	REMARKS
ML-1	290	2-20M BOTTOM	CONCRETE	FILL ALL REINF CORES w/ 25MPa CONC	STRUCTURAL SOUND BLOCK
ML-2	290	2-20M BOTTOM	CONCRETE	FILL ALL REINF CORES w/ 25MPa CONC	STRUCTURAL SOUND BLOCK

CONCRETE WALL SCHEDULE						
MARK	DEPTH	HEIGHT	REINFORCING			REMARKS
			VERTICAL	HORIZONTAL	ADDITIONAL	
CW-1	300	2490	20M @ 200 o/c E.F.	20M @ 200 o/c E.F.	20M DLS @ 200 o/c	290 UPSTAND ABOVE FLOOR

CONCRETE SLAB SCHEDULE				
MARK	DEPTH	REINFORCING		REMARKS
		TOP	BOTTOM	
SL-1	250	20M @ 200 o/c E.W.	20M @ 200 o/c E.W.	SEE PLAN
SL-2	300	20M @ 200 o/c E.W.	20M @ 200 o/c E.W.	NONE
SL-3	300	20M @ 150 o/c E.W.	20M @ 150 o/c E.W.	NONE

CONCRETE EQUIPMENT PEDESTAL SCHEDULE				
MARK	SIZE	REINFORCING		REMARKS
		TOP	BOTTOM	
EP-1	21035x2794	15M @ 300 o/c		
EP-2	6405x2794	15M @ 300 o/c		
EP-3	2650x7089	20M @ 150 o/c	20M @ 150 o/c	3-20M SIDES w/ 20M BENT BARS @ 100 PERIMETER



NO.	ISSUED FOR TENDER	DATE	BY
00	ISSUED FOR TENDER	06/08/28	KK
	REVISIONS	DATE	BY

B.M. ELEV.

CH2M HILL
Frederickson Cooper ARCHITECTS

EarthTech
A Tyco International Ltd. Company

DESIGNED BY AP CHECKED BY MK
DRAWN BY KK APPROVED BY AHL
SCALE: AS SHOWN RELEASED FOR CONSTRUCTION BY: R. SOROKOWSKI

DATE 2006/06/16 DATE 2006/08/30

ENGINEER'S SEAL
ORIGINAL SIGNED BY
A. POCHANART
2006/08/30
CONSULTANT DRAWING NO.
WG-S0002

THE CITY OF WINNIPEG
WATER AND WASTE DEPARTMENT
ENGINEERING DIVISION

WATER TREATMENT PLANT
STANDBY POWER GENERATOR

STRUCTURAL SCHEDULES
STANDARD DETAILS

CITY FILE NUMBER
SHEET OF
CITY DRAWING NUMBER
1-0601G-A-S0002-001-000