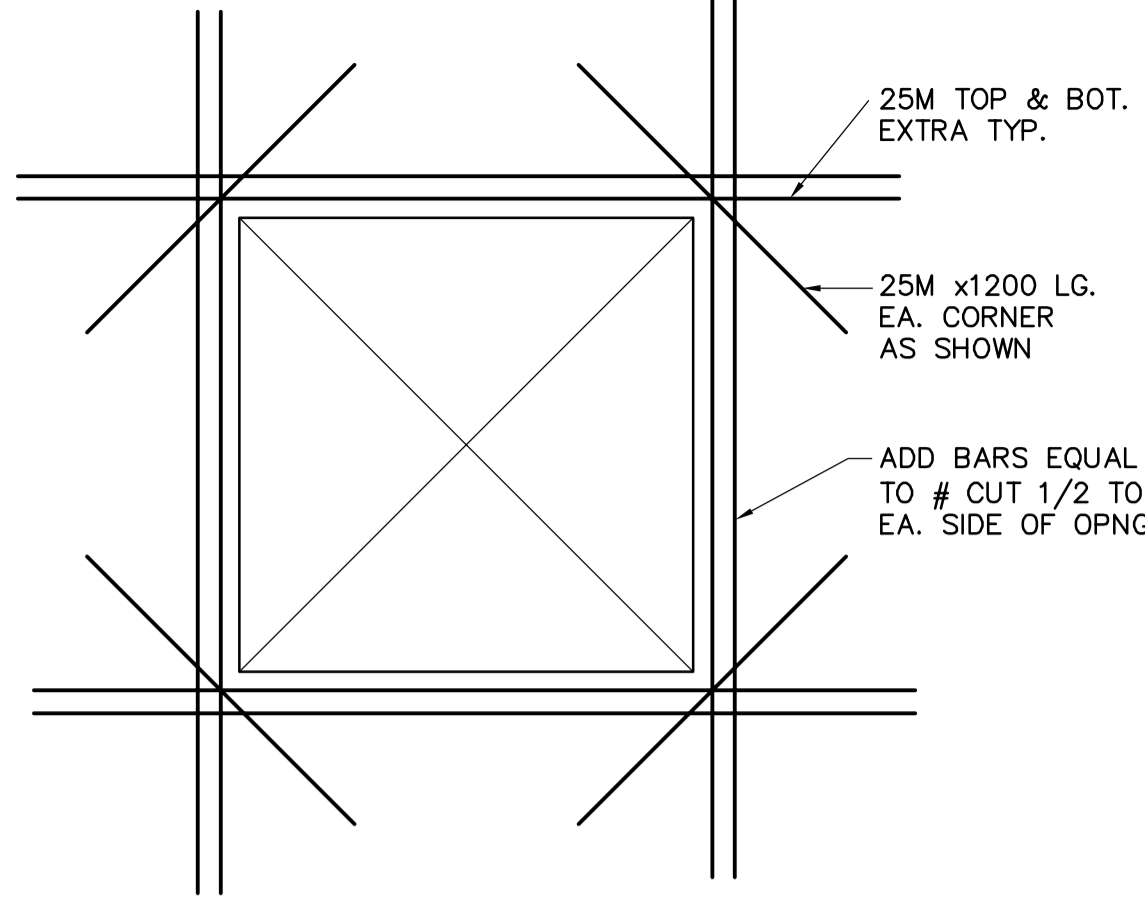
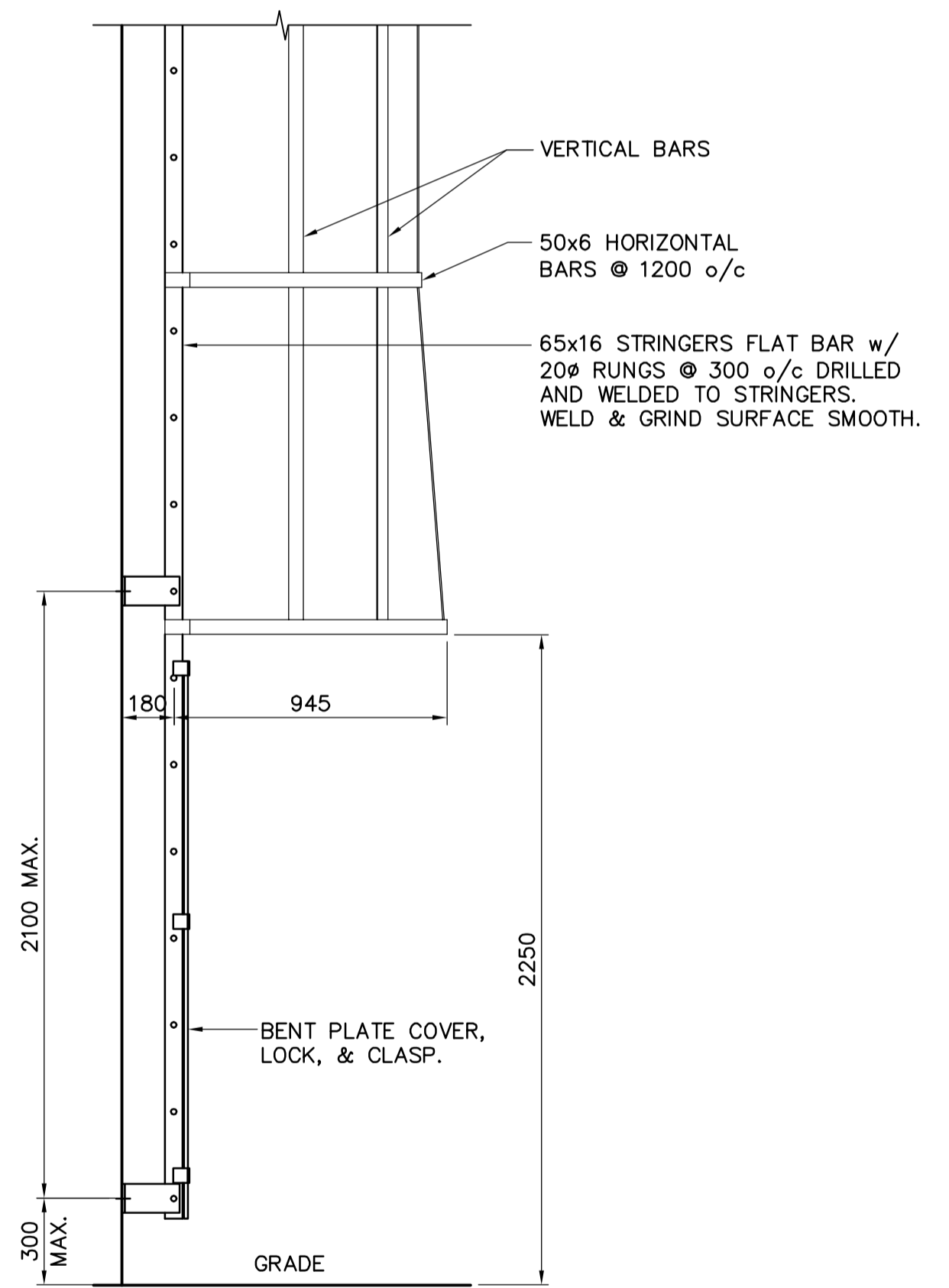
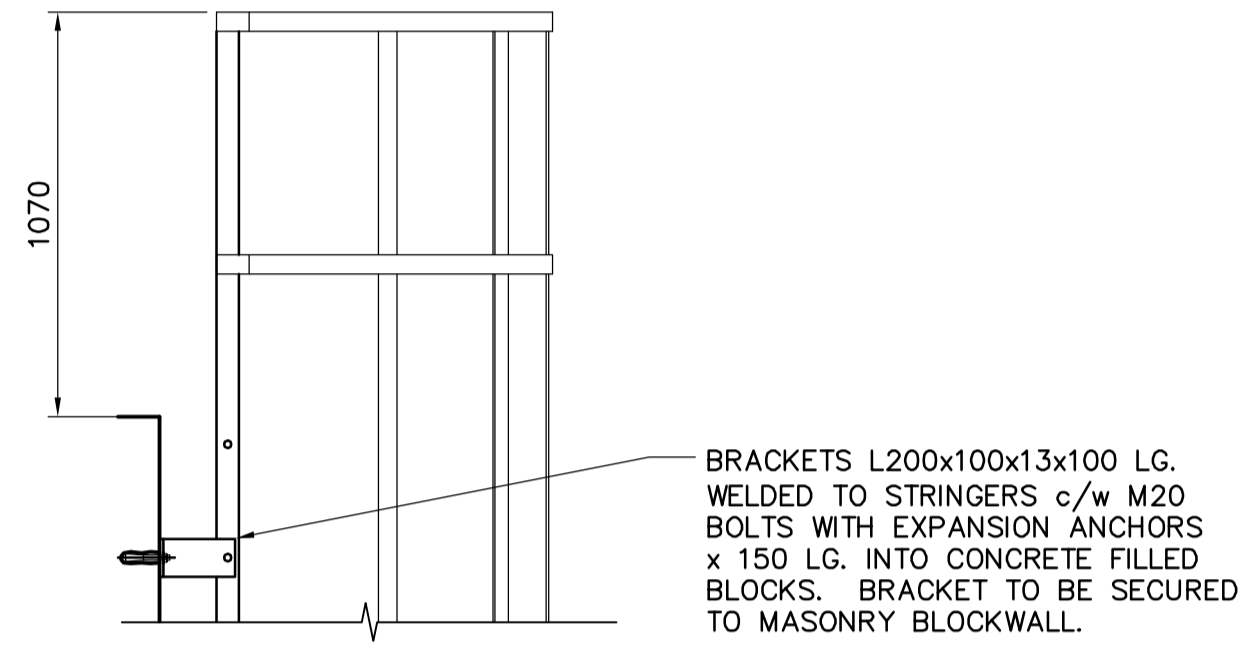
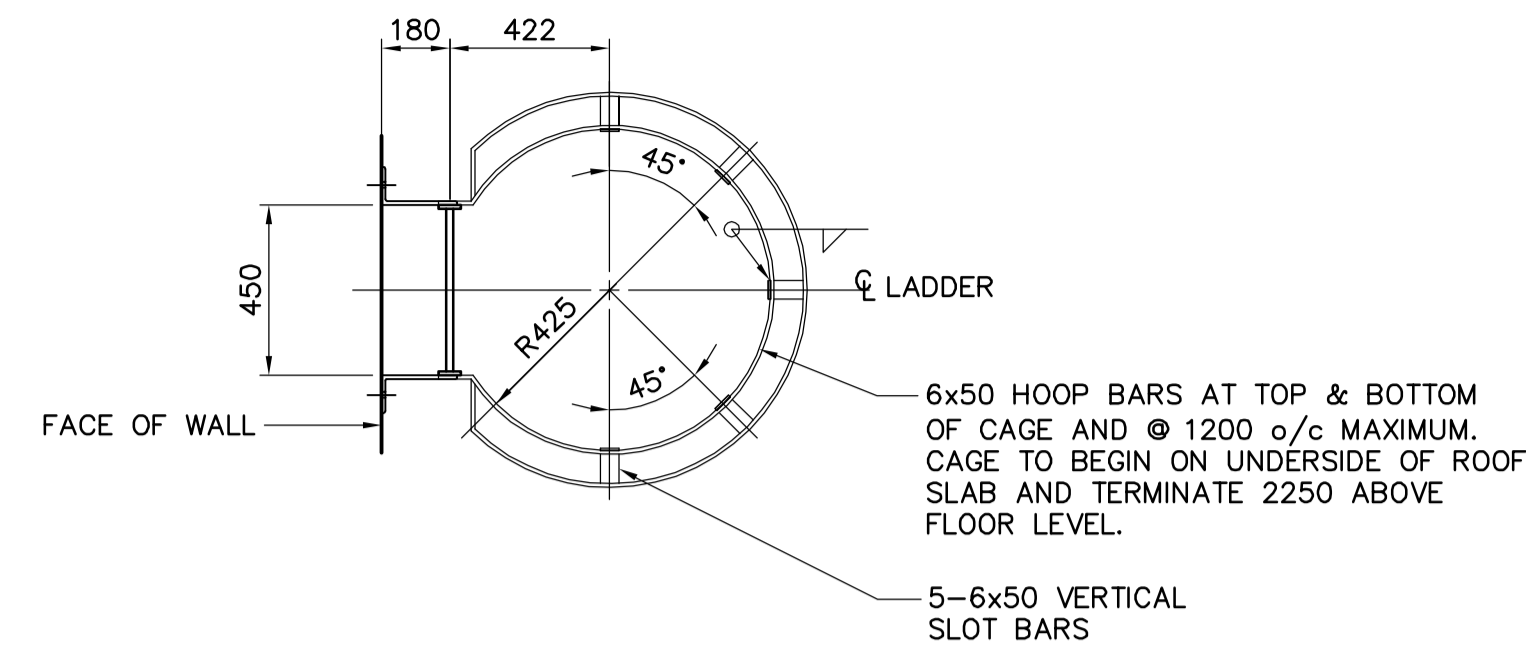


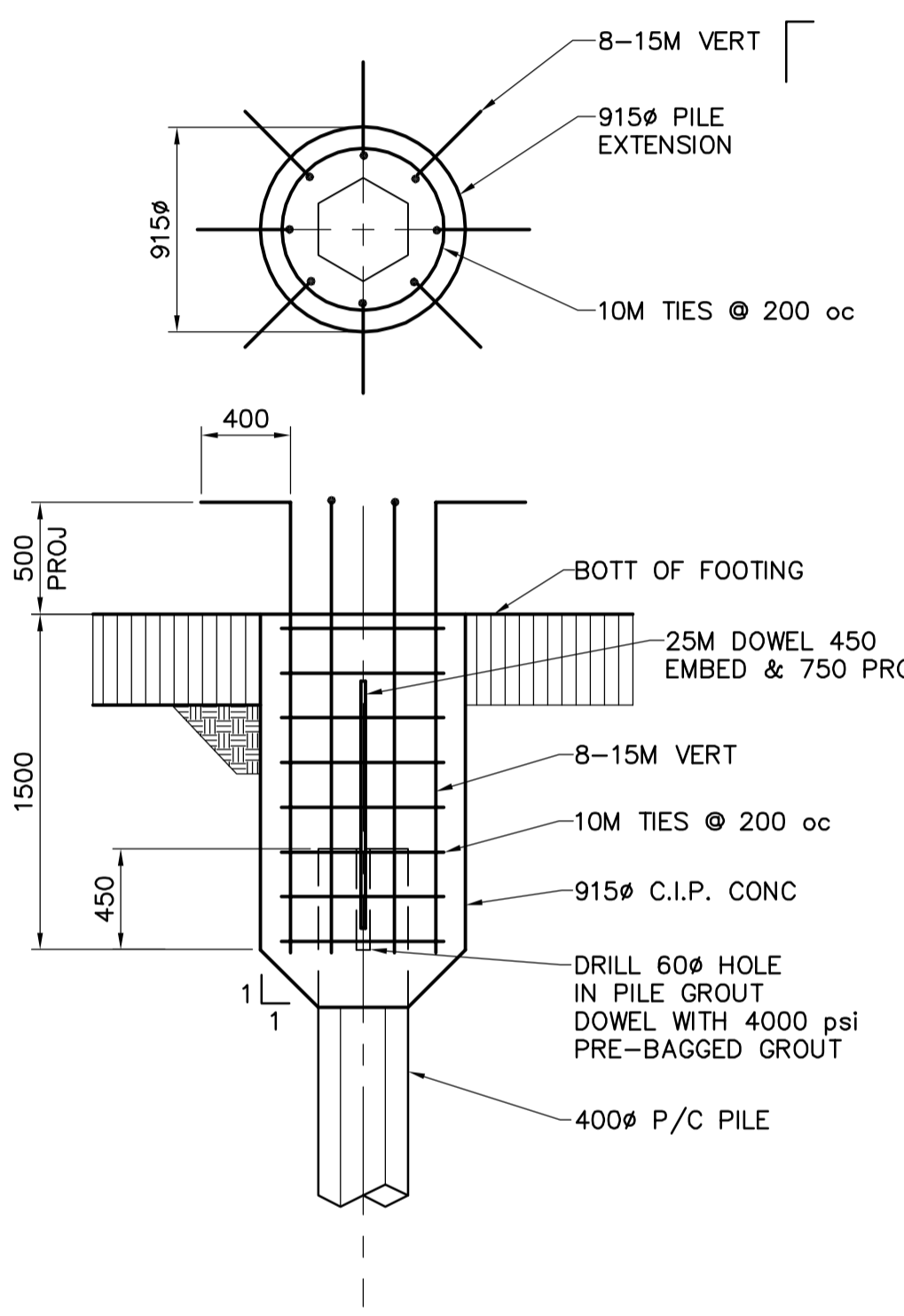
HOUSE KEEPING PADS FOR EQUIPMENT ON STRUCTURAL SLAB
SCALE N.T.S.



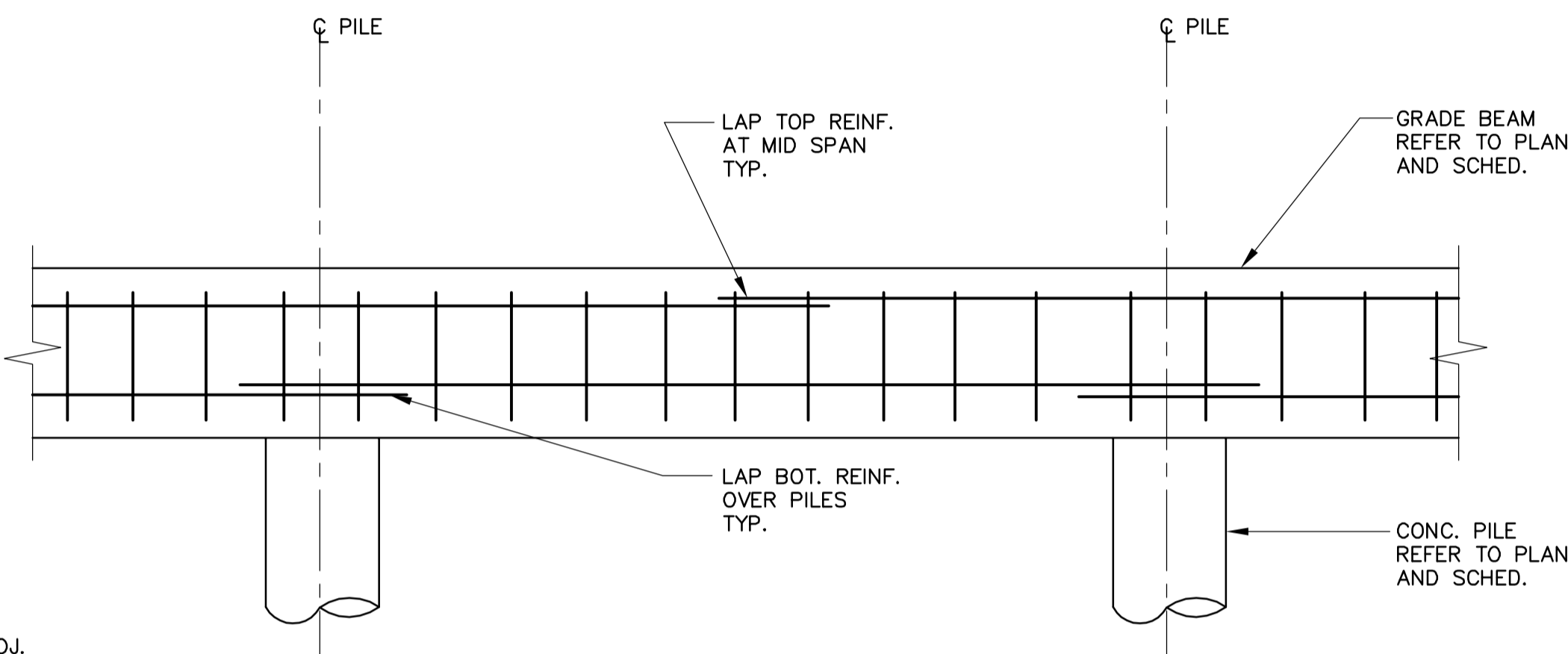
TYPICAL REINFORCING AROUND OPENINGS IN CONCRETE SLAB OR WALL
SCALE N.T.S.



ALUMINUM LADDER AND CAGE DETAIL
SCALE N.T.S.

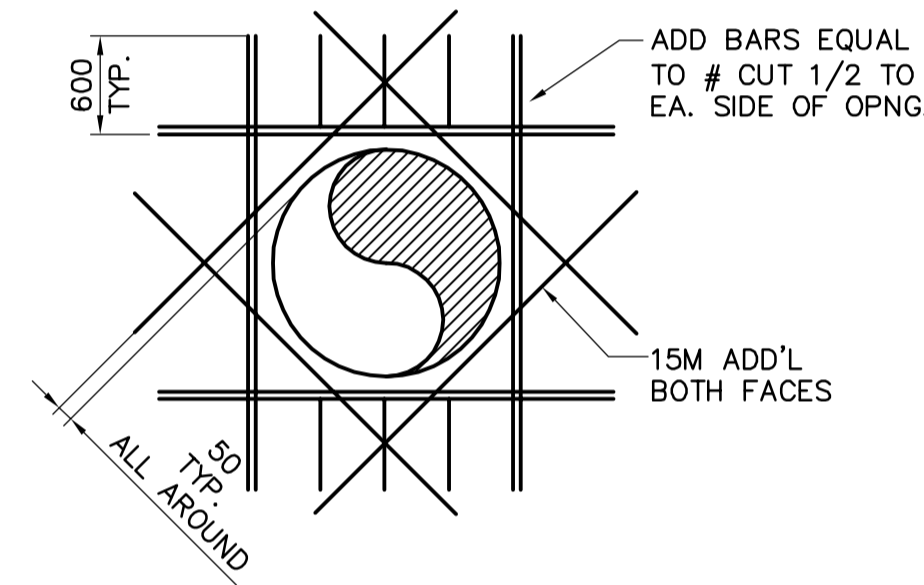


TYPE 1 - PILE EXTENSION DETAIL
N.T.S.

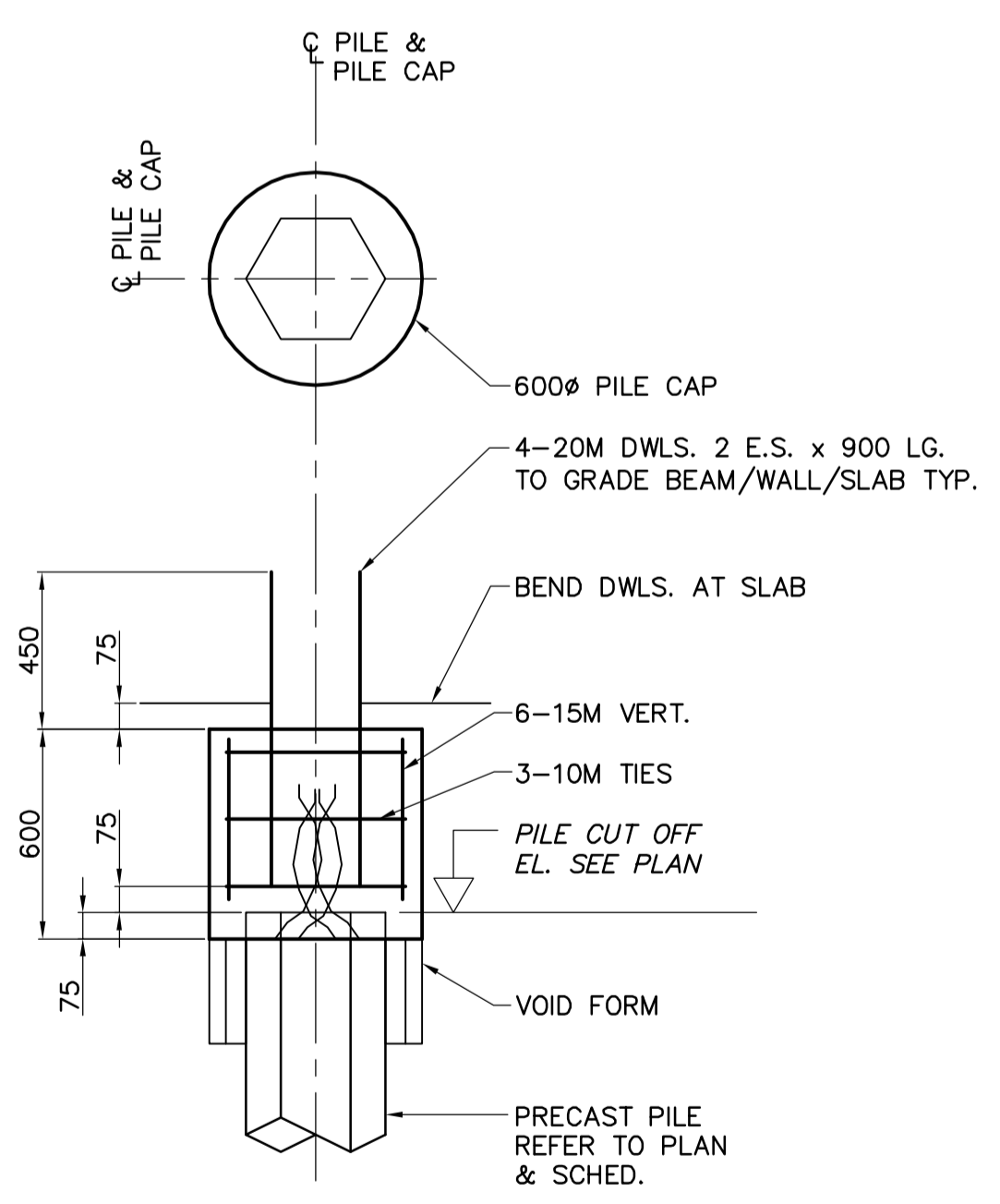


GRADE BEAM SPLICE DETAIL
SCALE N.T.S.

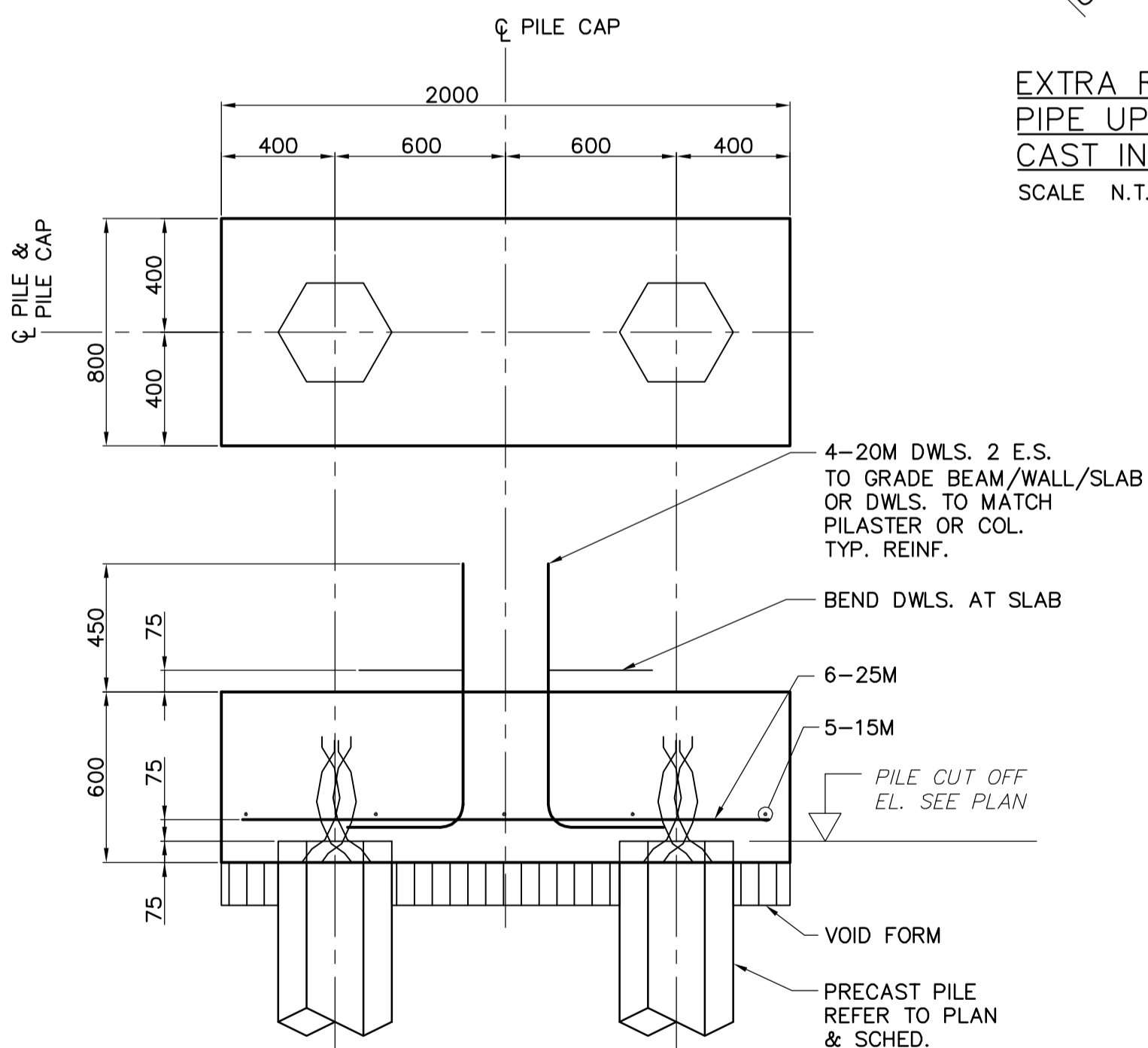
1. NUMBER OF REINFORCING BARS TO BE CUT AT OPENING TO BE KEPT AT A MINIMUM. REPLACE CUT BARS WITH BARS OF SAME SIZE, HALF TO EACH SIDE OF OPENING. DEFLECT AS MANY BARS AS POSSIBLE AROUND OPENING.
2. REINFORCING BARS TO BE KEPT MINIMUM 50 CLEAR OF OPENING.
3. CIRCULAR OPENINGS TO BE TREATED IN SAME MANNER AS RECTANGULAR UNLESS OTHERWISE DETAILED.



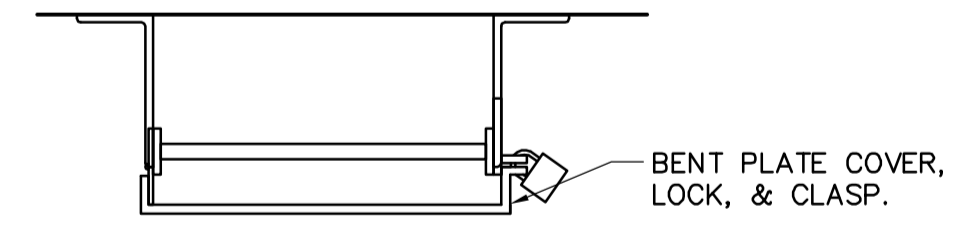
EXTRA REINFORCING AROUND PIPE UP TO 1250# MAX. CAST IN WALL OR FLOOR SLAB
SCALE N.T.S.



TYPICAL PILE CAP PC-1 DETAIL
SCALE 1:20



TYPICAL PILE CAP PC-2 DETAIL
SCALE 1:20



TYPICAL LOCKABLE LADDER COVER
SCALE N.T.S.



B.M. ELEV.			
DESIGNED BY	AP/GGP	CHECKED BY	MK
DRAWN BY	KK	APPROVED BY	AHL
SCALE:	AS SHOWN	RELEASED FOR CONSTRUCTION BY:	R. SOROKOWSKI
NO. REVISIONS		DATE	2006/06/16
		DATE	2006/08/30

CH2M HILL
Frederickson Cooper ARCHITECTS

EarthTech
A Tyco International Ltd. Company

ENGINEER'S SEAL
ORIGINAL SIGNED BY
A. POCHANART
2006/08/30
CONSULTANT DRAWING NO.
WG-S0003

THE CITY OF WINNIPEG
WATER AND WASTE DEPARTMENT
ENGINEERING DIVISION

WATER TREATMENT PLANT
STANDBY POWER GENERATOR

STRUCTURAL
STANDARD DETAILS

CITY FILE NUMBER
SHEET OF
CITY DRAWING NUMBER
1-0601G-A-S0003-001-000