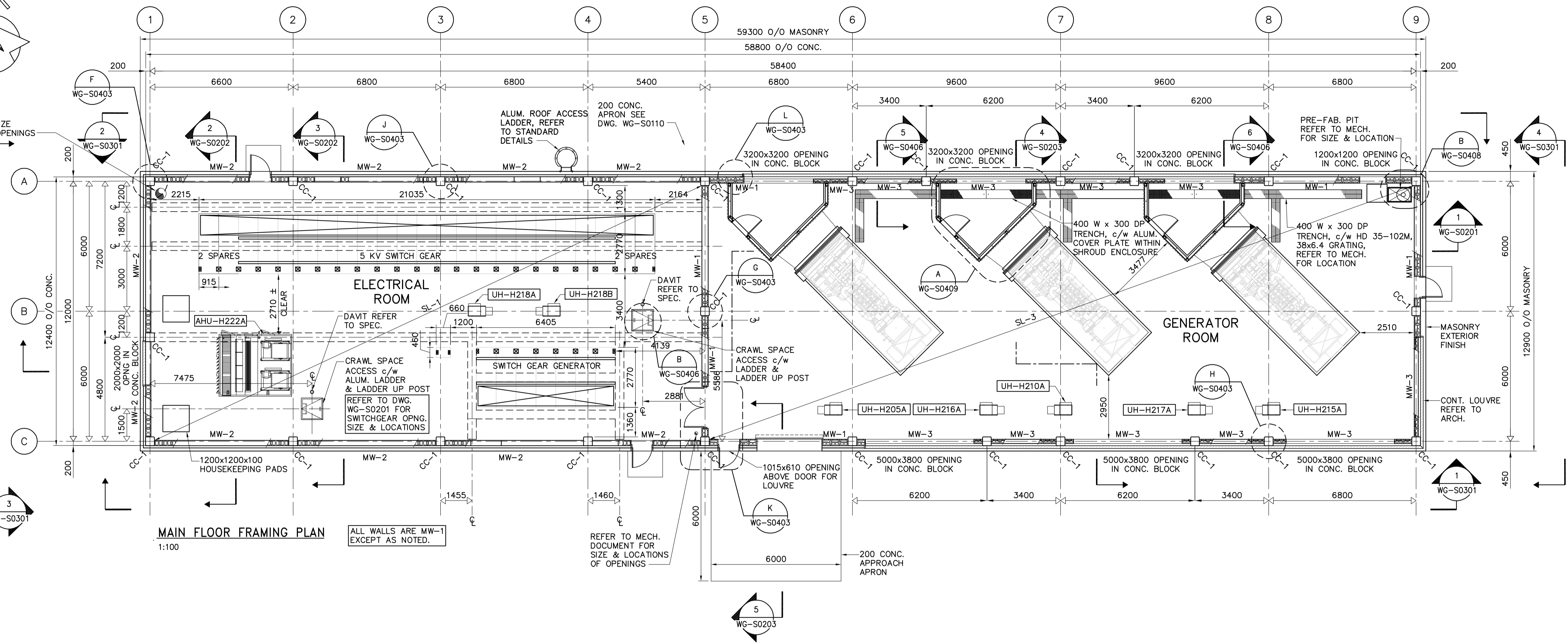


REFER TO MECH. DOCUMENT FOR SIZE & LOCATION OF OPENINGS



DESIGN LOADS:

ELECTRICAL ROOM

A.) DEAD LOADS: .1) STRUCTURE SELF WEIGHT 0.75 kPa
.2) SUPERIMPOSED =
.3) SWITCH GEAR (EACH UNIT) = 1,350 kg

B.) LIVE LOADS: .1) OCCUPANCY (ELECT., SAMPLE & CONTROL RMS) 4.8 kPa
.2) OCCUPANCY (BLOWER RM.) 4.8 kPa

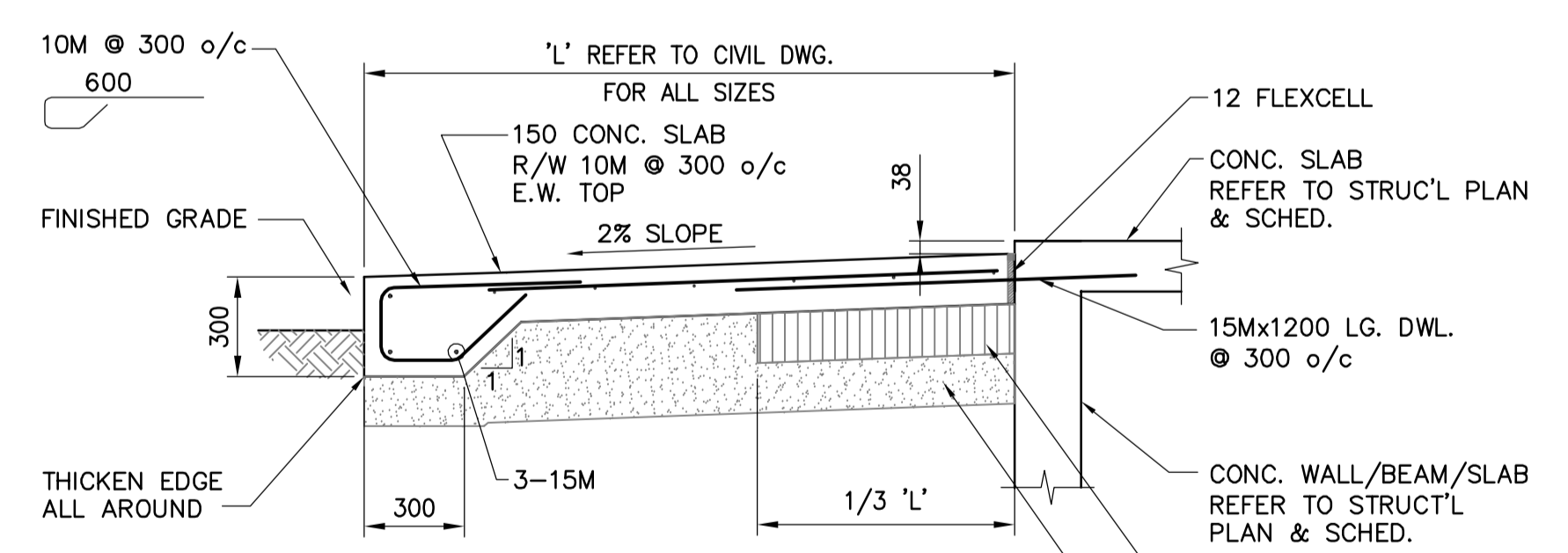
C.) CONCENTRATED LOADS: 36 kN

GENERATOR ROOM

A.) DEAD LOADS: .1) STRUCTURE SELF WEIGHT 0.25 kPa
.2) SUPERIMPOSED = 0.25 kPa

B.) LIVE LOADS: .1) OCCUPANCY 4.8 kPa

C.) CONCENTRATED LOADS: 54 kN



| | | | | | | | | |
|---|--|---|--|---------------------------------------|--|--|--|------------------|
| B.M. ELEV. | | | | | ENGINEER'S SEAL | | WATER TREATMENT PLANT STANDBY POWER GENERATOR | CITY FILE NUMBER |
| | DESIGNED BY: AP/GGP DRAWN BY: KK SCALE: AS SHOWN | CHECKED BY: MK APPROVED BY: AHL RELEASED FOR CONSTRUCTION BY: R. SOROKOWSKI | ORIGINAL SIGNED BY: A. POCHANART DATE: 2006/08/30 | SHEET OF | | | | |
| 00 ISSUED FOR TENDER 06/08/28 KK NO. REVISIONS DATE BY | DATE: 2006/06/16 | DATE: 2006/08/30 | CONSULTANT DRAWING NO. WG-S0110 | STRUCTURAL MAIN FLOOR FRAMING PLAN | CITY DRAWING NUMBER 1-0601G-A-S0110-001-000 | | | |