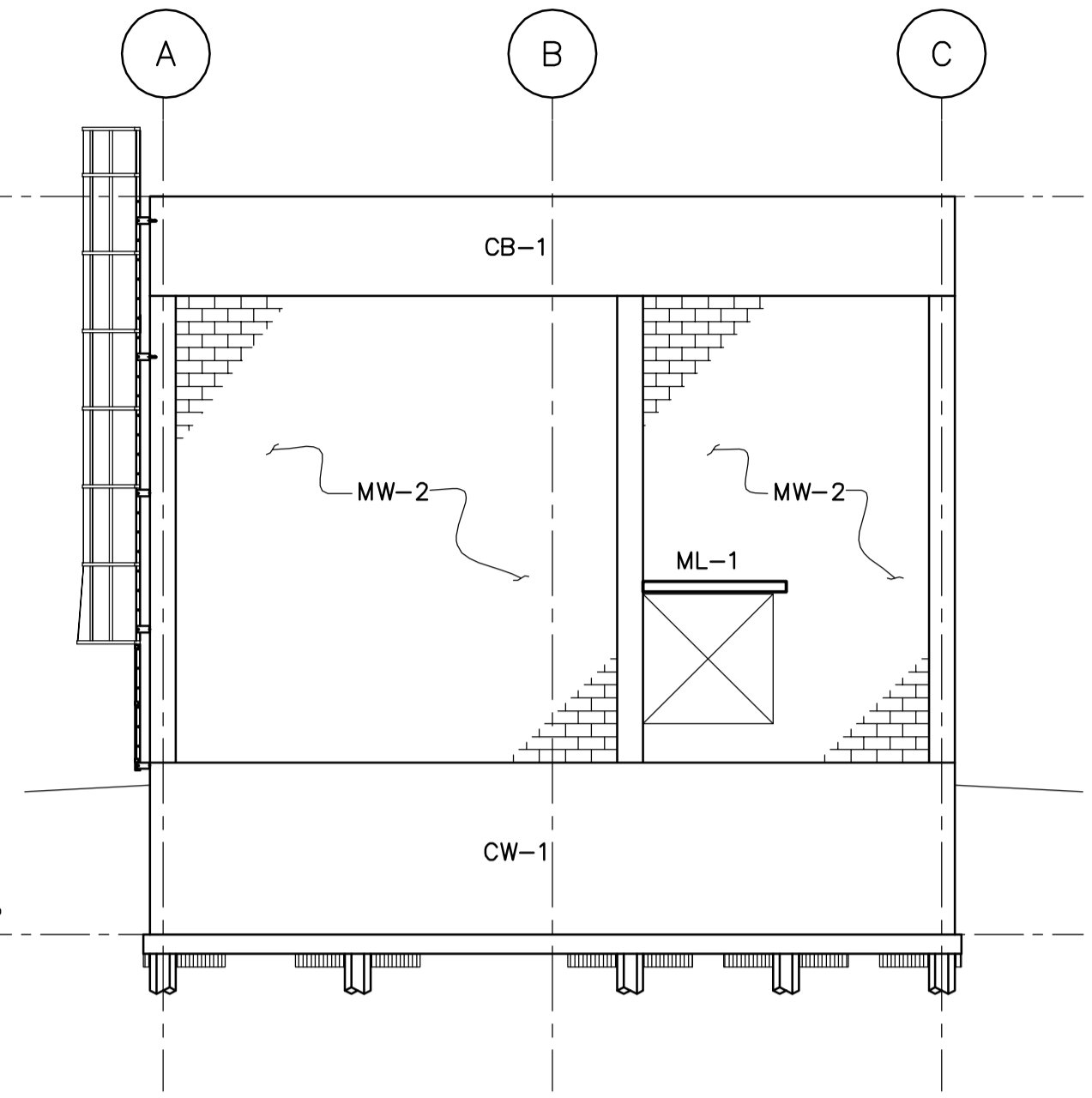
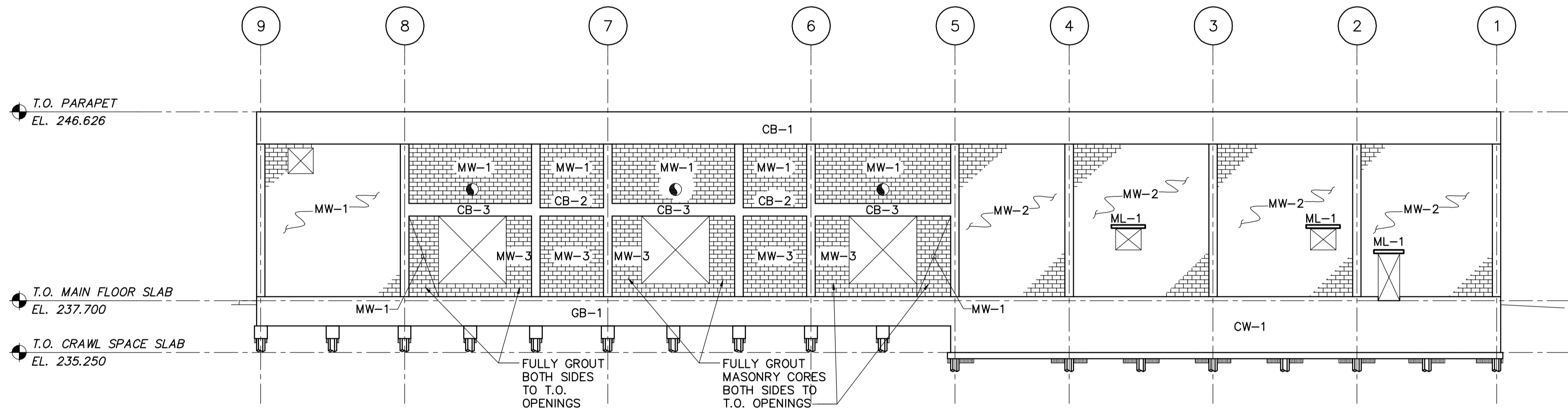


1 EXTERIOR WALL ELEVATION
WG-S0110 1:150

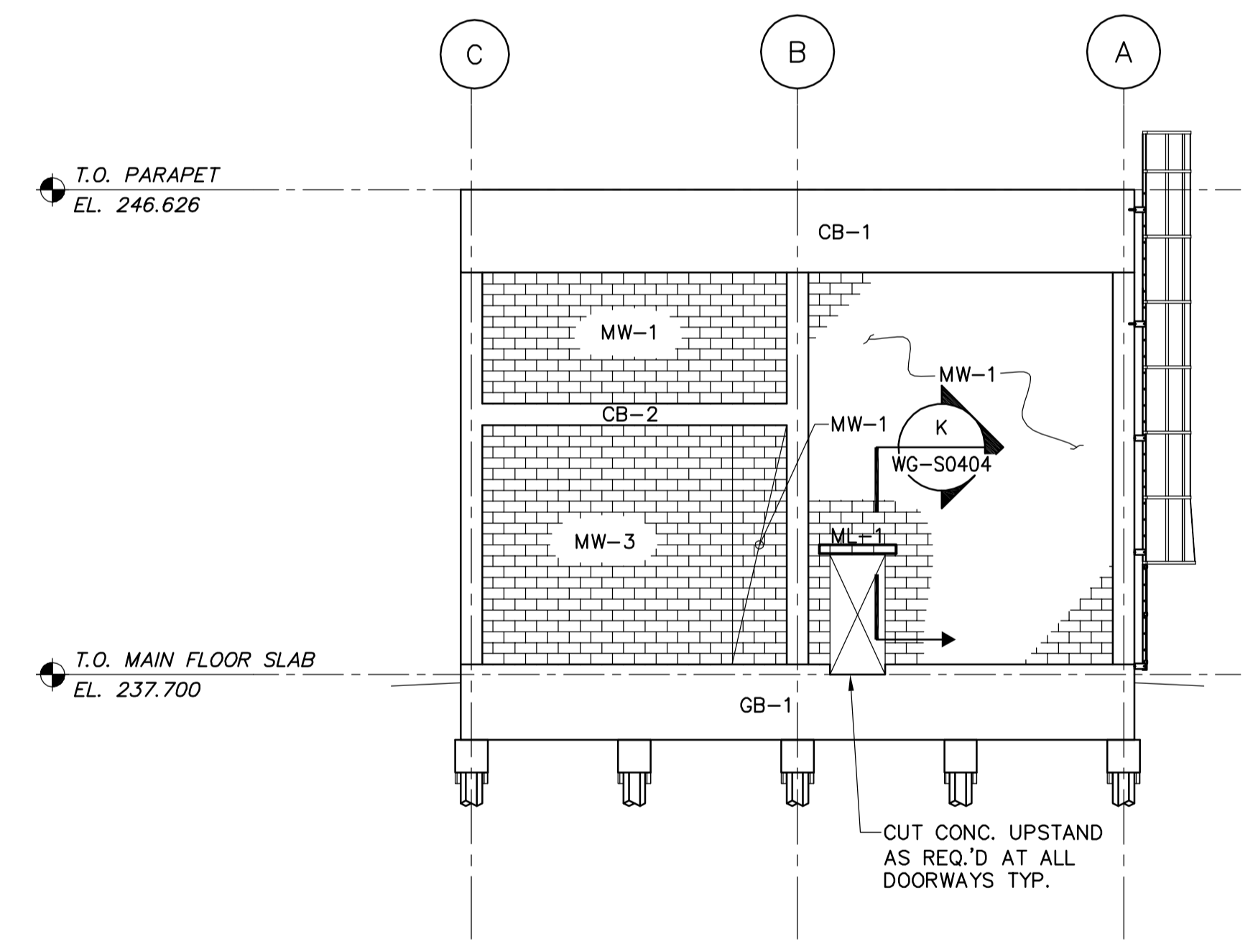


3 EXTERIOR WALL ELEVATION
WG-S0110 1:100

REFER TO ARCHITECTURAL FOR SIZE AND LOCATION OF WINDOWS



2 EXTERIOR WALL ELEVATION
WG-S0110 1:150



4 EXTERIOR WALL ELEVATION
WG-S0110 1:100



| | | | |
|----------------------|----------|-------------------------------|---------------|
| B.M. ELEV. | | | |
| DESIGNED BY | AP/GGP | CHECKED BY | MK |
| DRAWN BY | KK | APPROVED BY | AHL |
| SCALE: | AS SHOWN | RELEASED FOR CONSTRUCTION BY: | R. SOROKOWSKI |
| 00 ISSUED FOR TENDER | 06/08/28 | DATE | 2006/06/16 |
| NO. REVISIONS | DATE | BY | DATE |

CH2MHILL
Frederickson Cooper ARCHITECTS

EarthTech
A Tyco International Ltd. Company

ENGINEER'S SEAL
ORIGINAL SIGNED BY
A. POCHANART
2006/08/30

CONSULTANT DRAWING NO.
WG-S0301

THE CITY OF WINNIPEG
WATER AND WASTE DEPARTMENT
ENGINEERING DIVISION

WATER TREATMENT PLANT
STANDBY POWER GENERATOR

STRUCTURAL
ELEVATIONS

CITY FILE NUMBER
SHEET OF
CITY DRAWING NUMBER
1-0601G-A-S0301-001-000