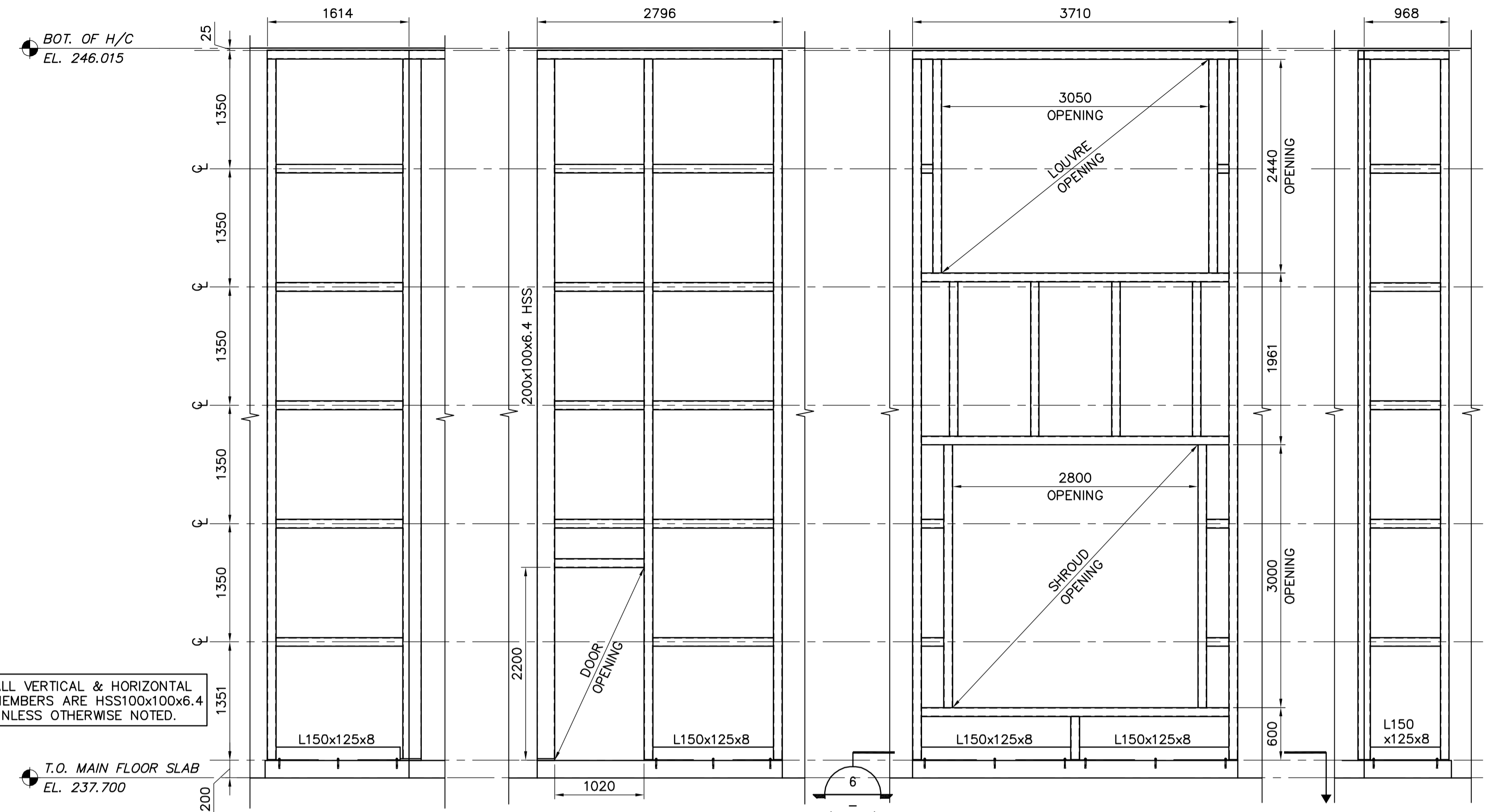


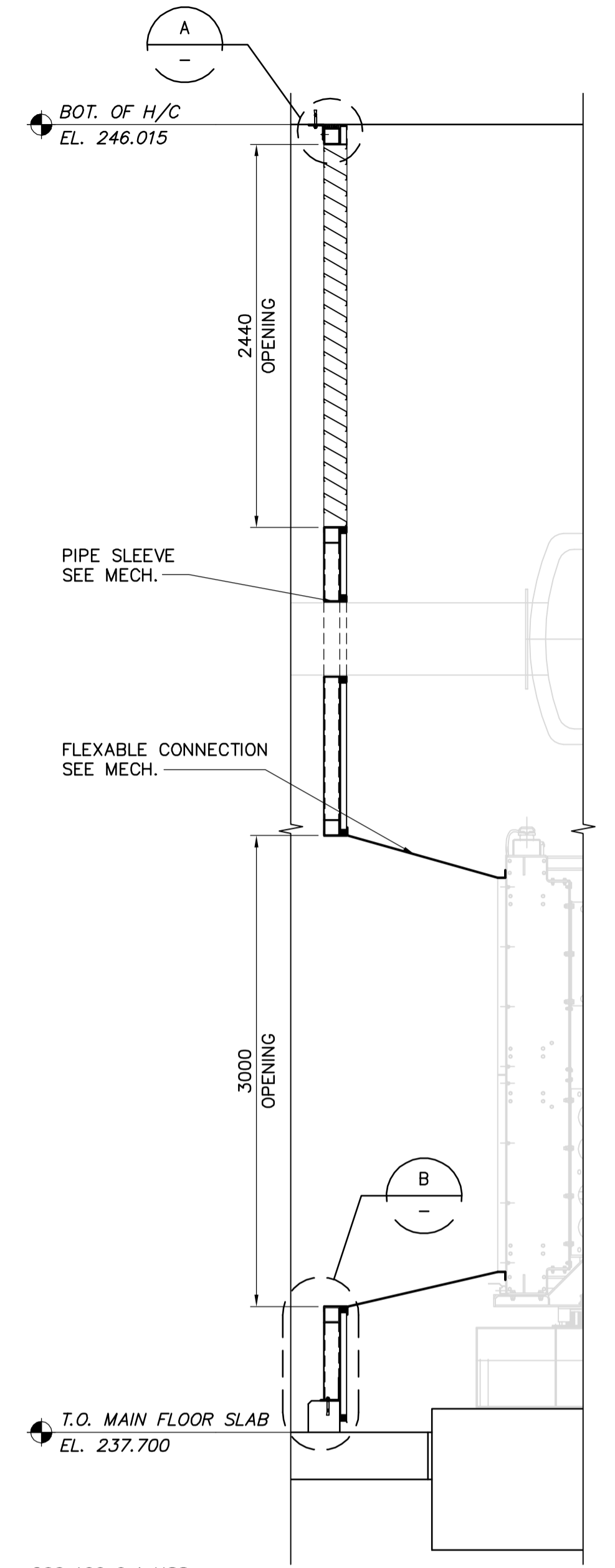
A SHROUD PLAN DETAIL
WG-S0110 1:30



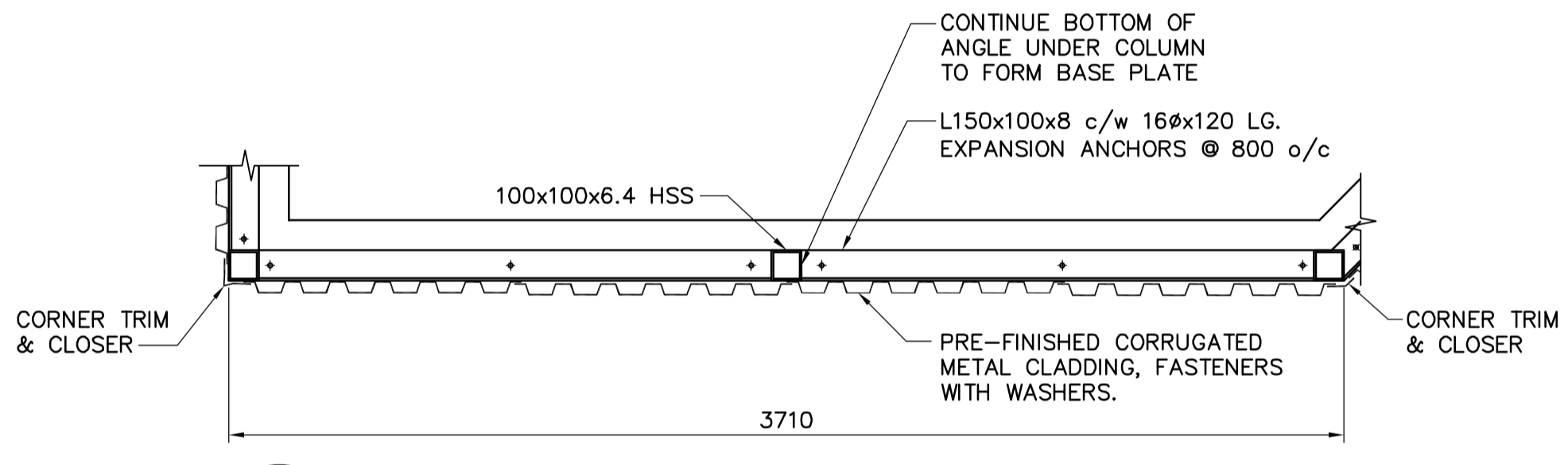
1 ELEVATION 1:40
2 ELEVATION 1:40
3 ELEVATION 1:40
4 ELEVATION 1:40

ALL VERTICAL & HORIZONTAL MEMBERS ARE HSS100x100x6.4 UNLESS OTHERWISE NOTED.

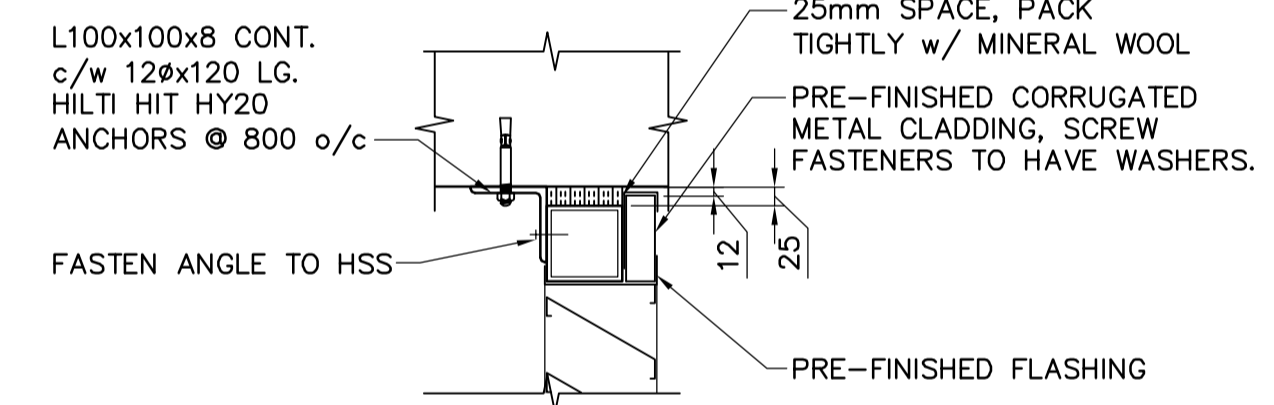
T.O. MAIN FLOOR SLAB EL. 237.700



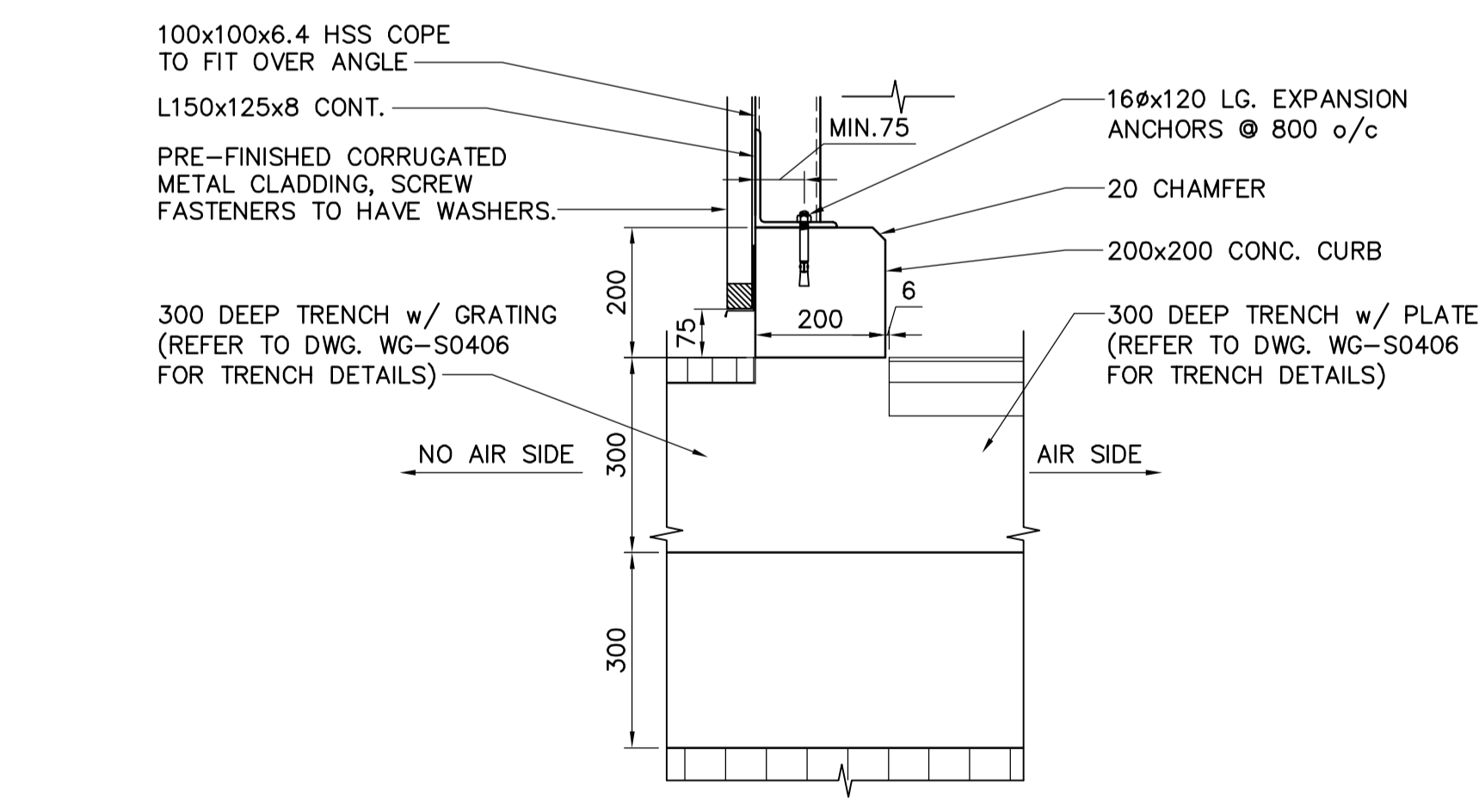
5 SECTION 1:30



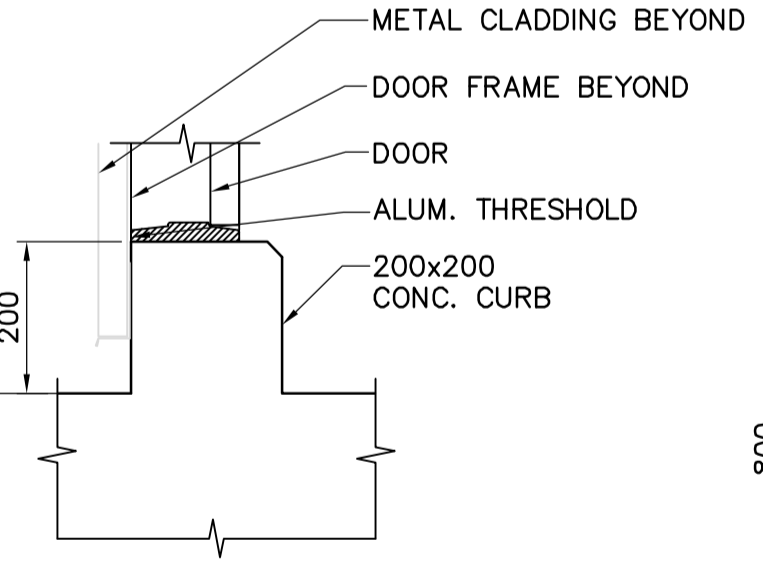
6 SECTION 1:20



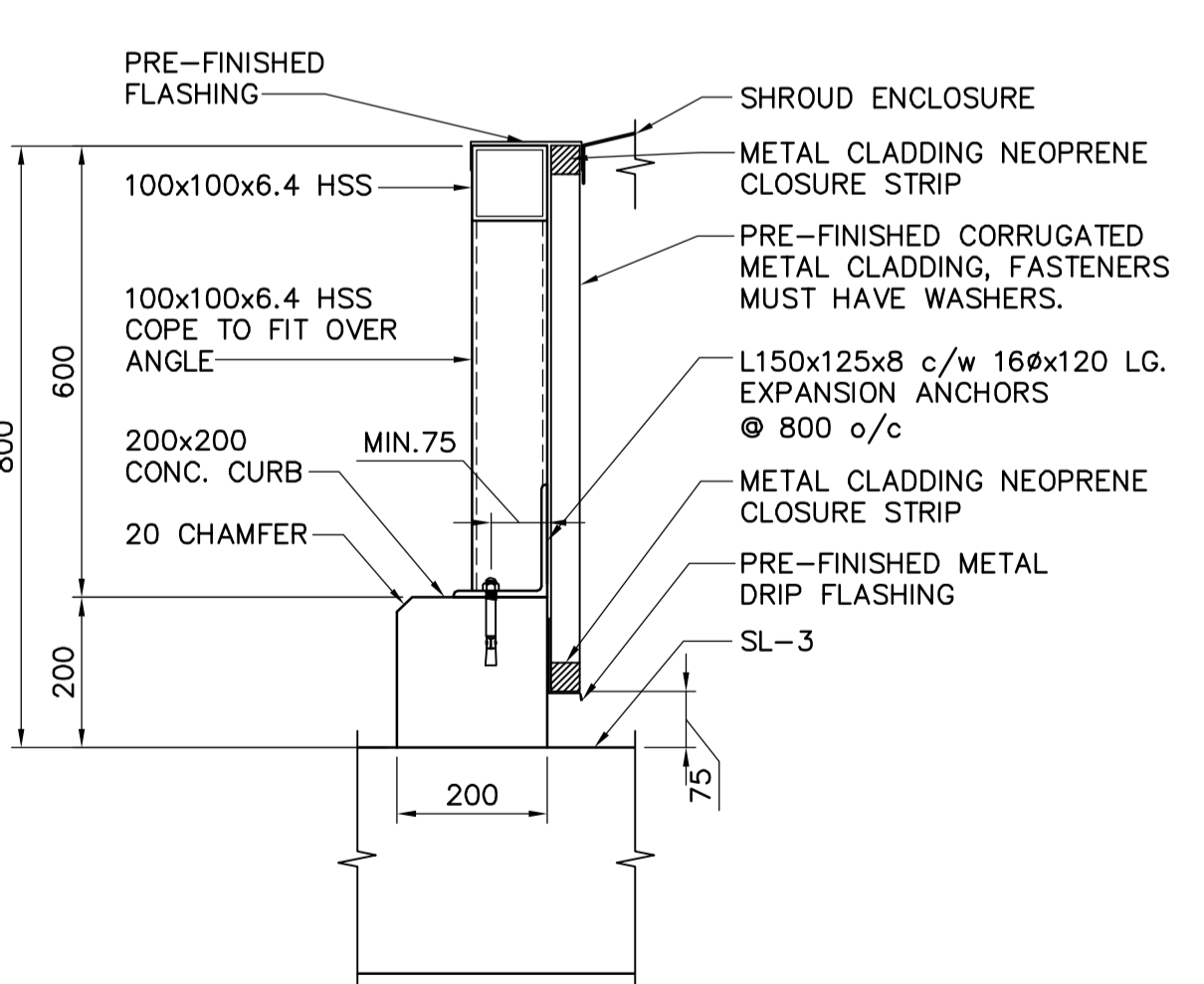
A DETAIL 1:10



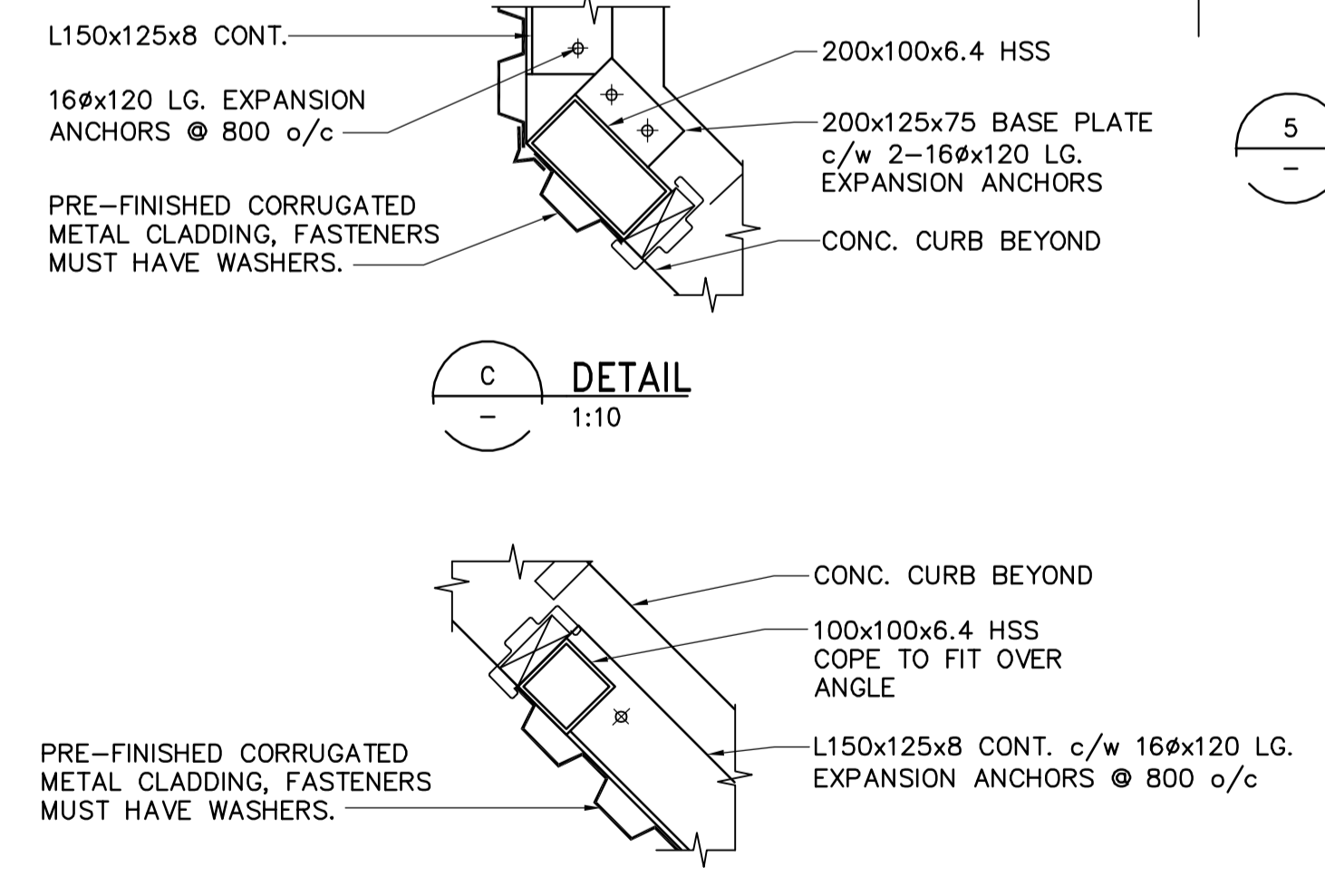
7 SECTION 1:10



8 SECTION 1:10



B DETAIL 1:10



C DETAIL 1:10

D DETAIL 1:10

APEGM
Certificate of Authorization
Earth Tech Canada Inc.
No. 730 Expiry: April 30, 2007

B.M. ELEV.					
DESIGNED BY	AP/GGP	CHECKED BY	GGP	ENGINEER'S SEAL	
DRAWN BY	KK	APPROVED BY	AHL	ORIGINAL SIGNED BY	A. POCHANART
SCALE:	AS SHOWN	RELEASED FOR CONSTRUCTION BY:	R. SOROKOWSKI	DATE	2006/08/30
NO. REVISIONS		DATE	2006/07/04	CONSULTANT DRAWING NO.	WG-S0405

CH2M HILL
Frederickson Cooper ARCHITECTS

EarthTech
A Tyco International Ltd. Company

THE CITY OF WINNIPEG
WATER AND WASTE DEPARTMENT
ENGINEERING DIVISION

WATER TREATMENT PLANT
STANDBY POWER GENERATOR

STRUCTURAL
SHROUD PLANS SECTIONS & DETAILS

CITY FILE NUMBER
SHEET OF
CITY DRAWING NUMBER
1-0601G-A-S0405-01-000