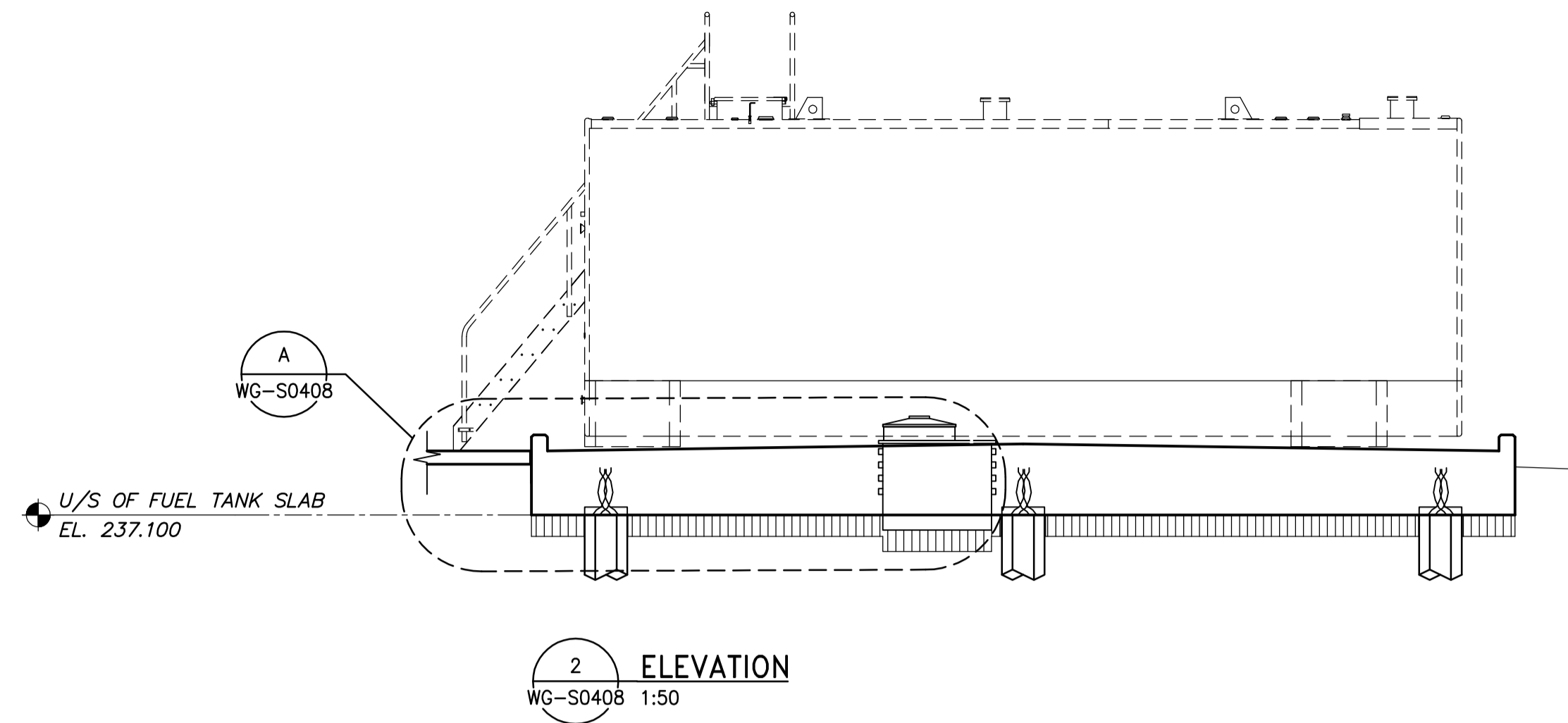
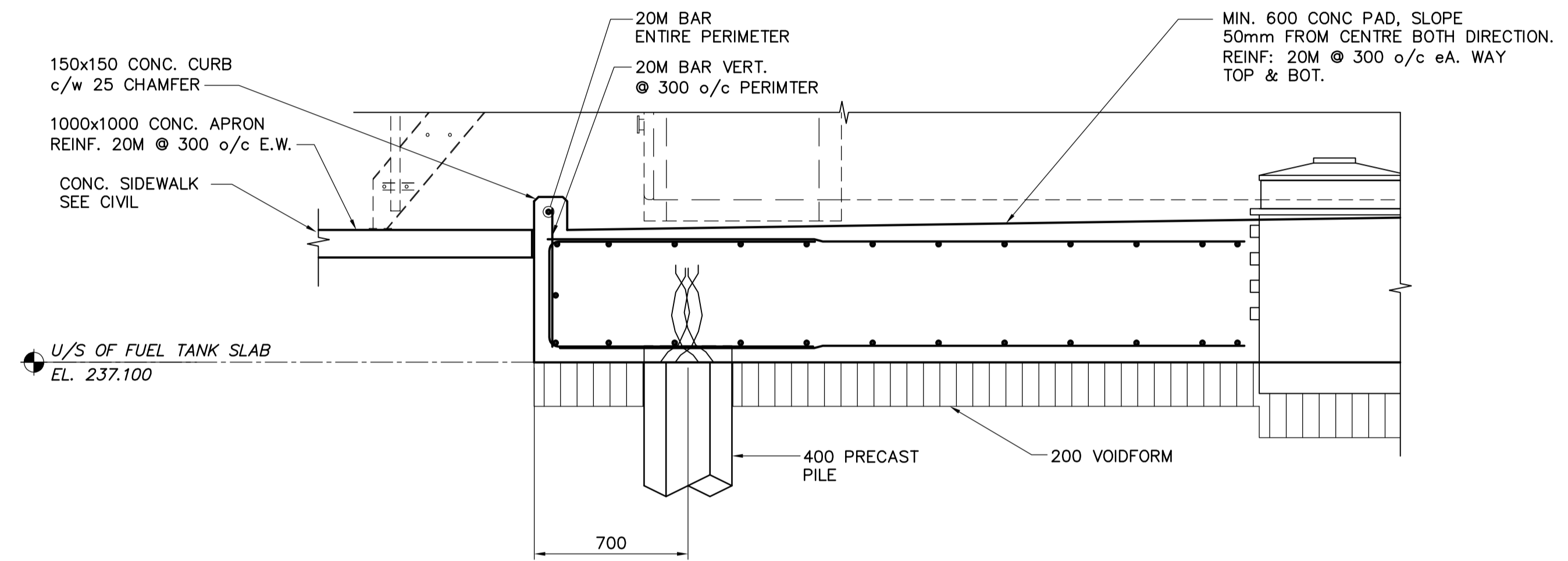


PLAN NOTE:
1:50 *REFER TO CIVIL FOR LOCATION AND ELEVATION OF TANK PADS.
*REFER TO ELEC. FOR SIZE OF TANK PADS.

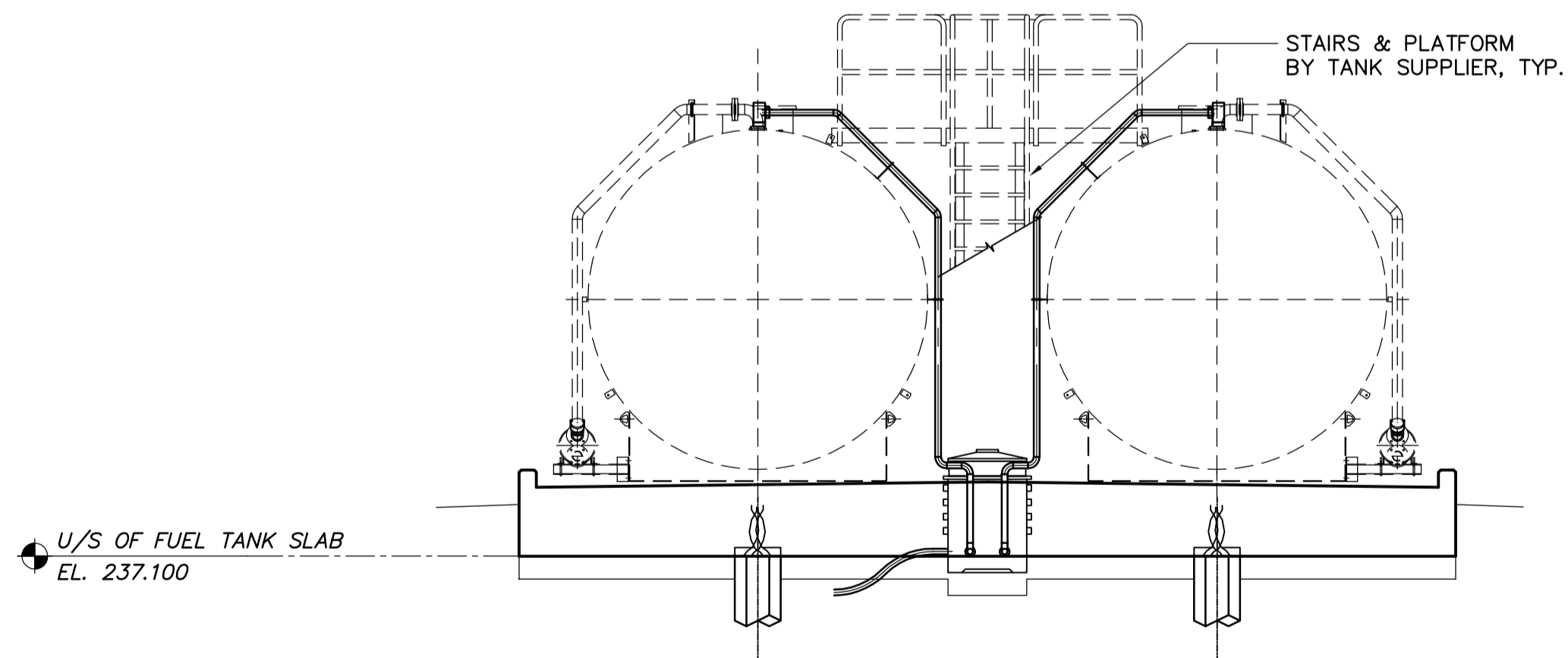
150x150 CONC. CURB
400 PRECAST PILE, TYP.
CONC. SIDEWALK SEE CIVIL



2 ELEVATION
WG-S0408 1:50

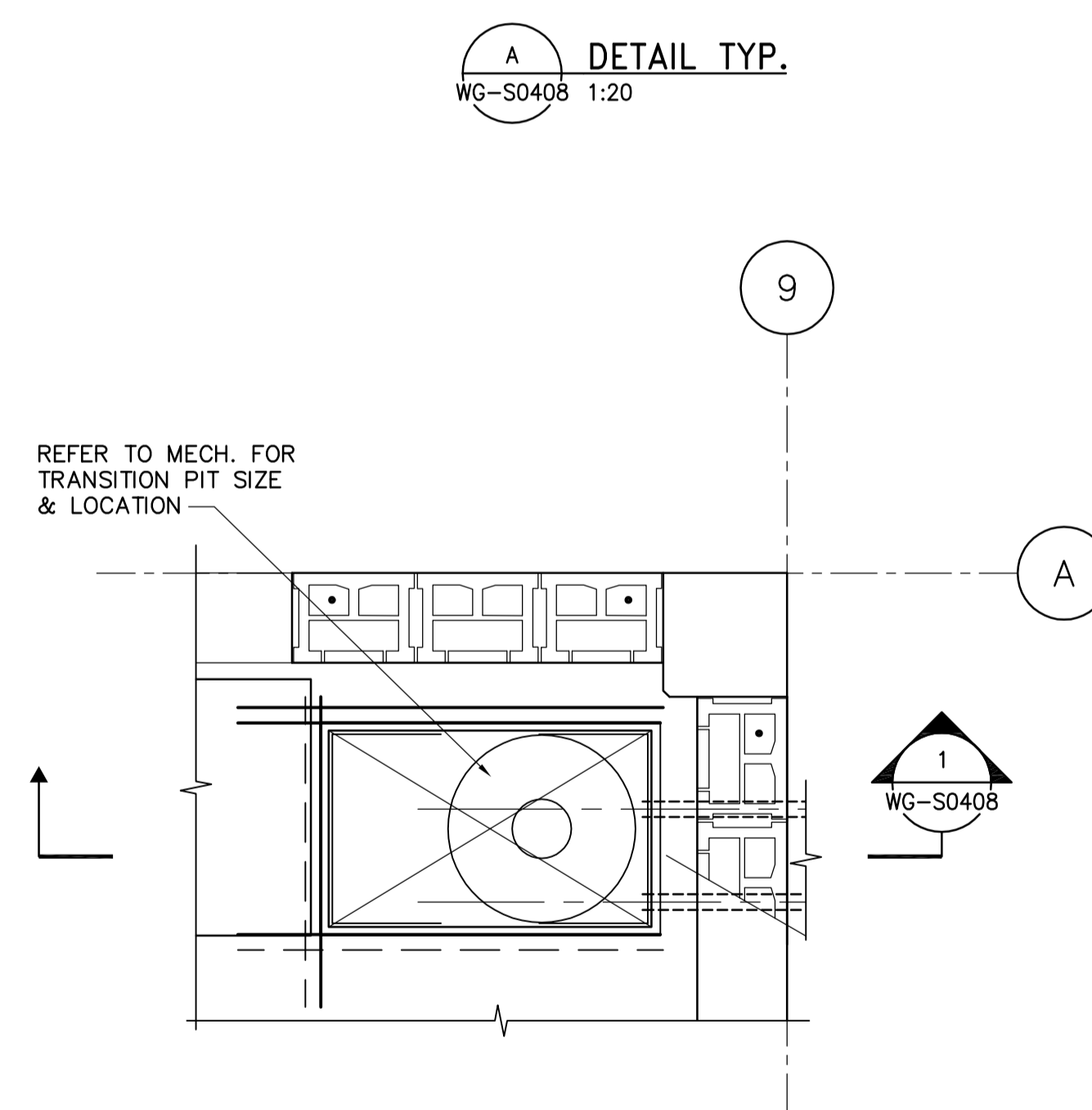


A DETAIL TYP.
WG-S0408 1:20

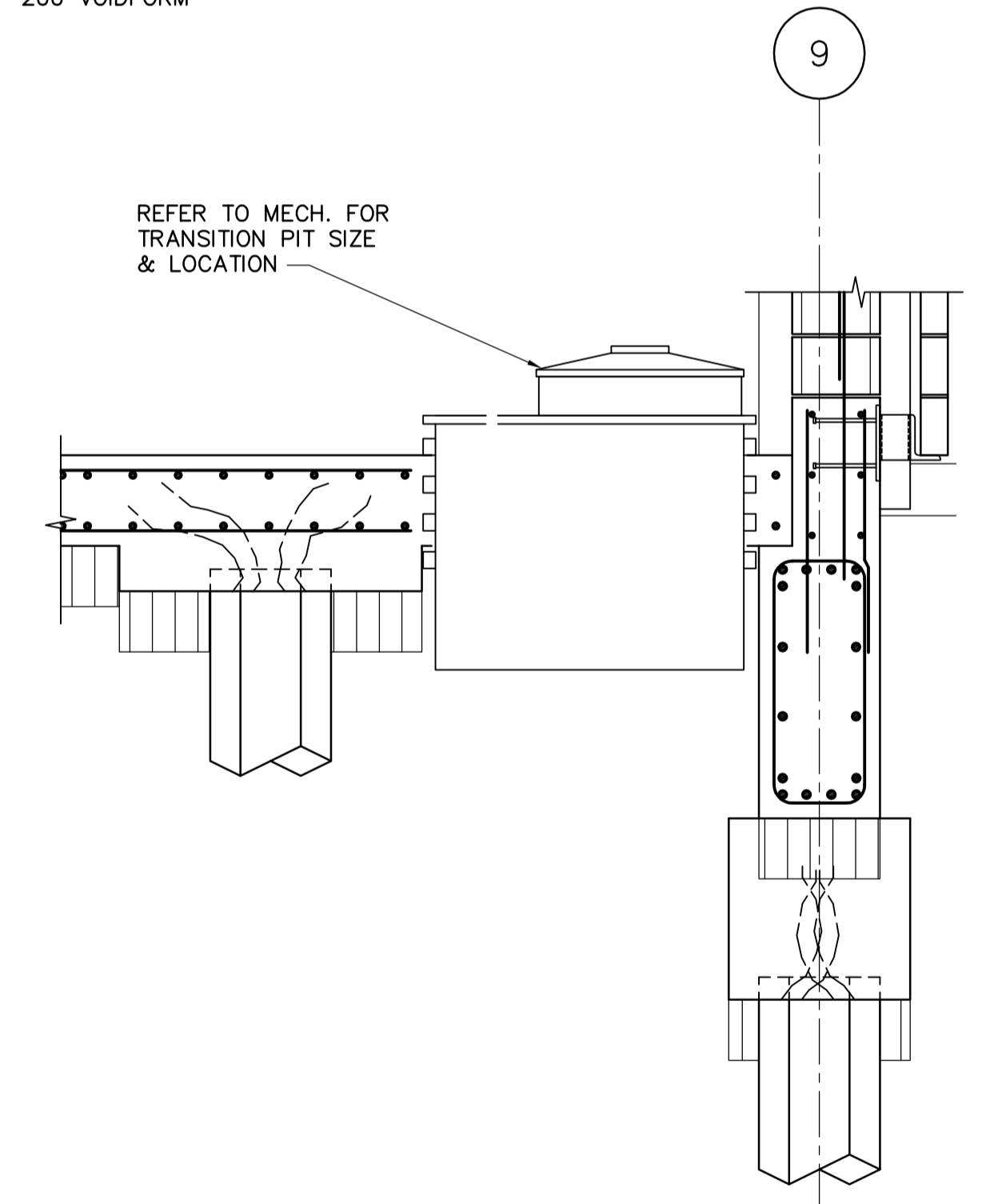


1 SECTION
WG-S0408 1:50

NOTE: FOR EQUIP. INFO. SEE MECH. SUPPLY CONTRACTS AND CITY SUPPLIED EQUIPT DWGS AND SPECS



B TRANSITION PIT PLAN DETAIL
WG-S0110 1:20



1 TRANSITION PIT DETAIL
WG-S0408 1:20



B.M. ELEV.					
00	ISSUED FOR TENDER	06/08/28	KK		
	NO. REVISIONS	DATE	BY	DATE	2006/06/16



DESIGNED BY	AP/GGP	CHECKED BY	MK
DRAWN BY	KK	APPROVED BY	AHL
SCALE:	AS SHOWN	RELEASED FOR CONSTRUCTION BY:	R. SOROKOWSKI
		DATE	2006/08/30

ENGINEER'S SEAL	
ORIGINAL SIGNED BY	A. POCHANART
	2006/08/30
CONSULTANT DRAWING NO.	WG-S0408

THE CITY OF WINNIPEG WATER AND WASTE DEPARTMENT ENGINEERING DIVISION	
WATER TREATMENT PLANT STANDBY POWER GENERATOR	CITY FILE NUMBER SHEET OF
STRUCTURAL FUEL TANKS SECTIONS & DETAILS	CITY DRAWING NUMBER 1-601G-A-S0408-001-000