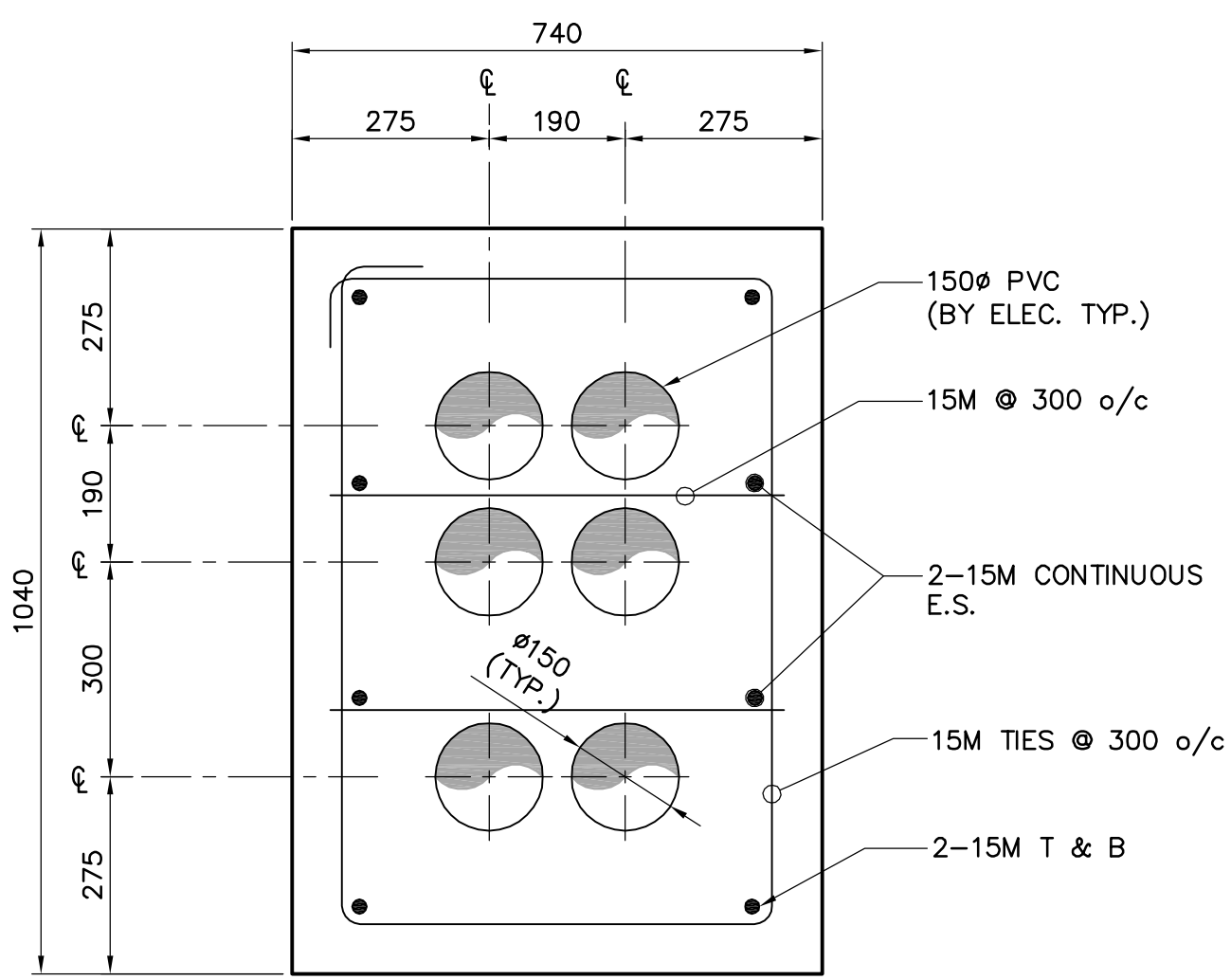
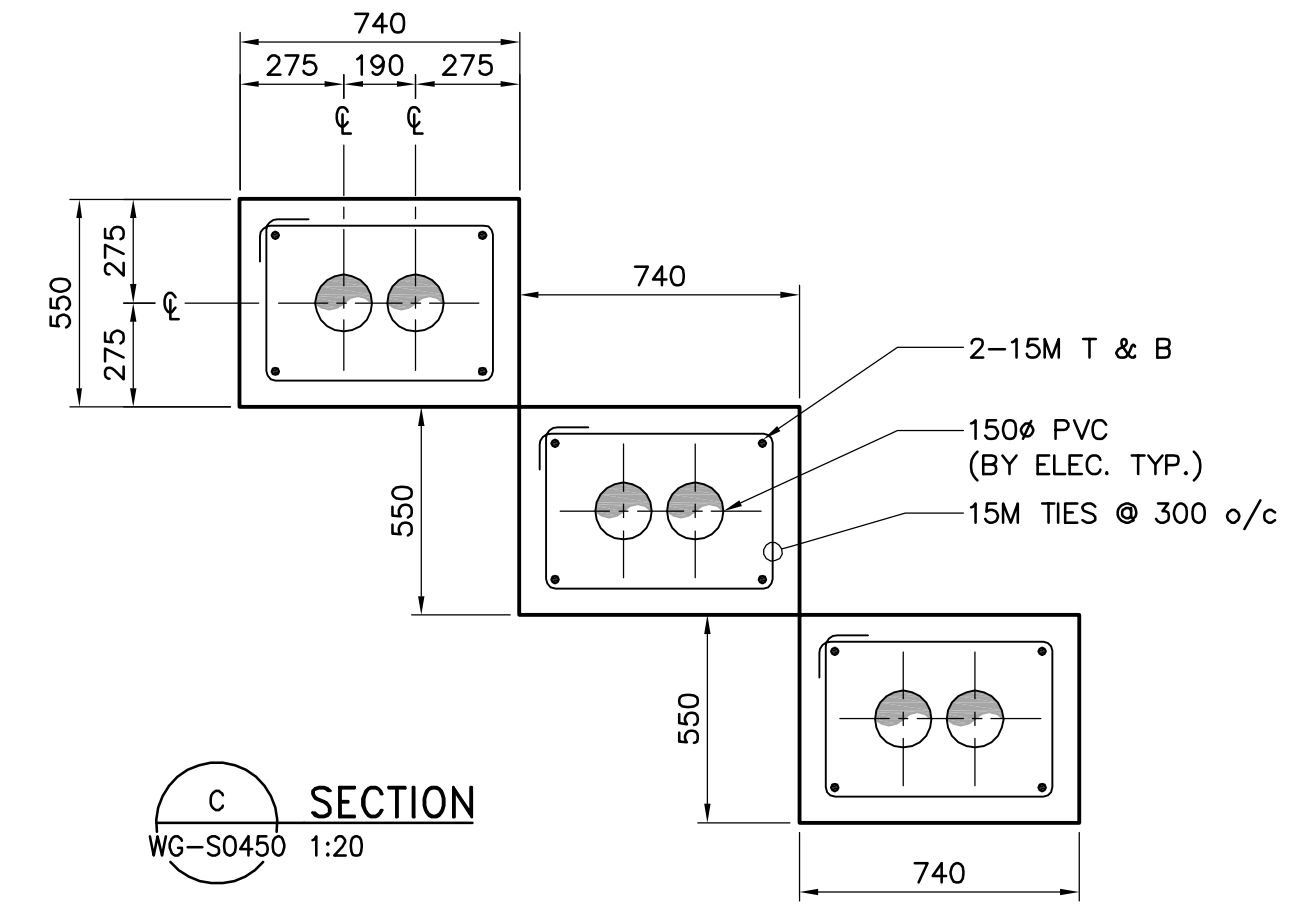


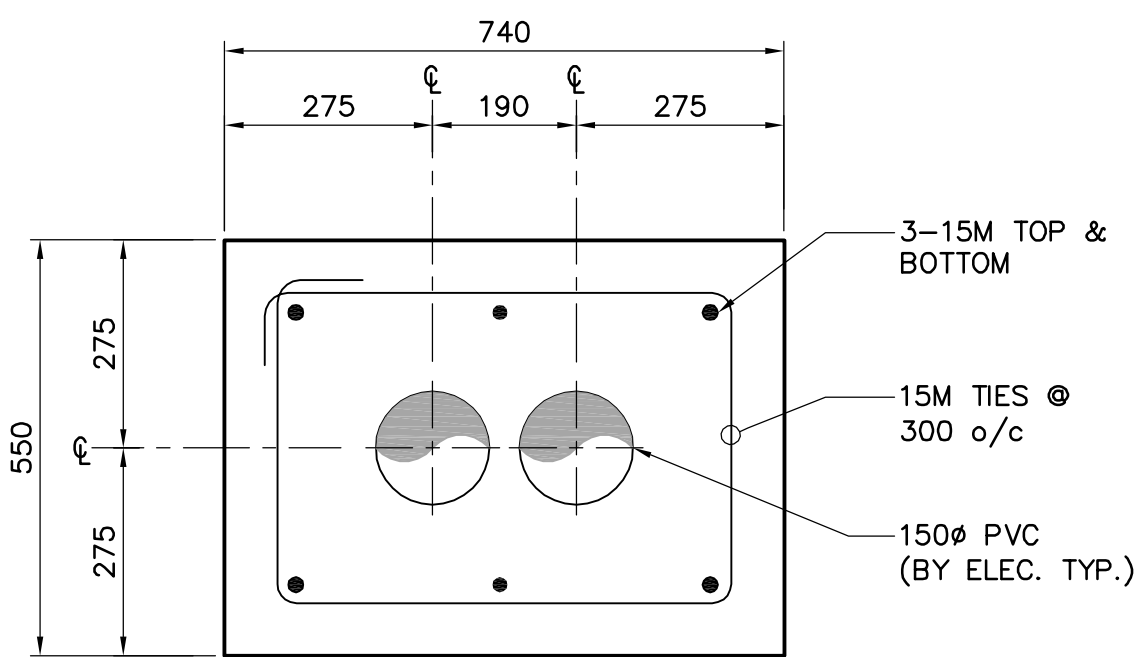
A SECTION
WG-S0450 1:10



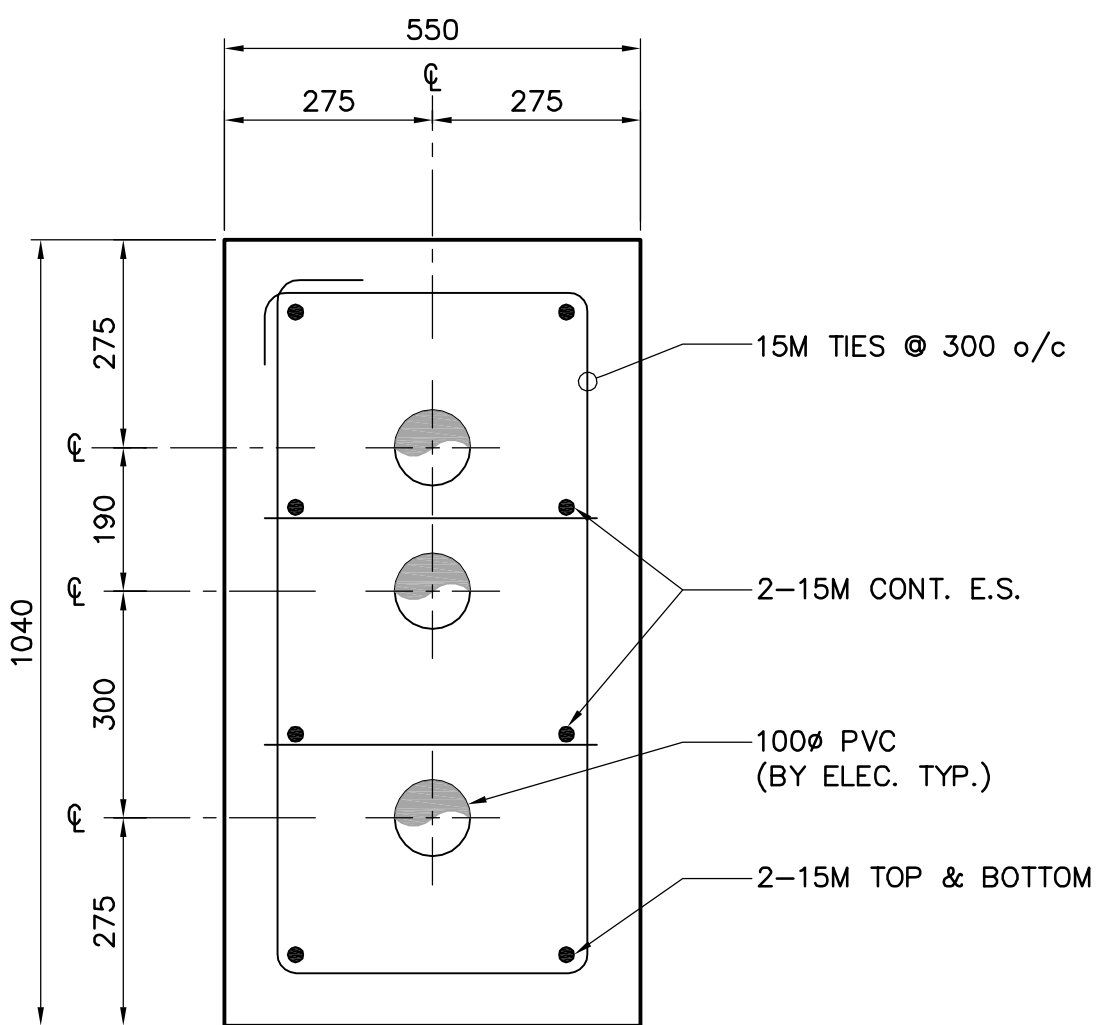
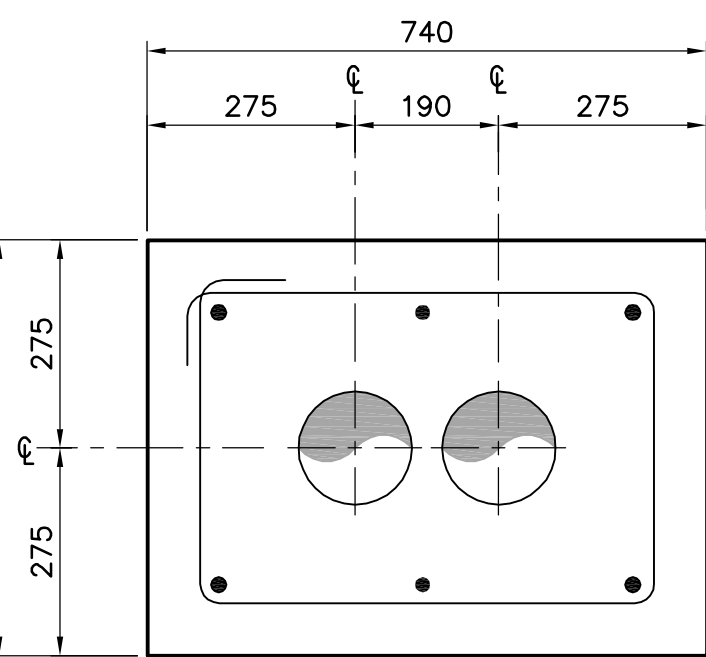
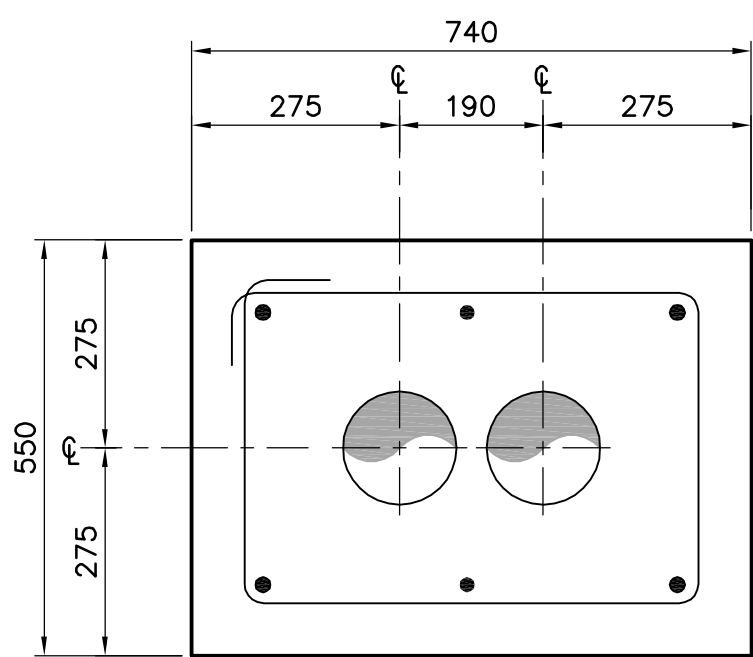
E SECTION
WG-S0450 1:10



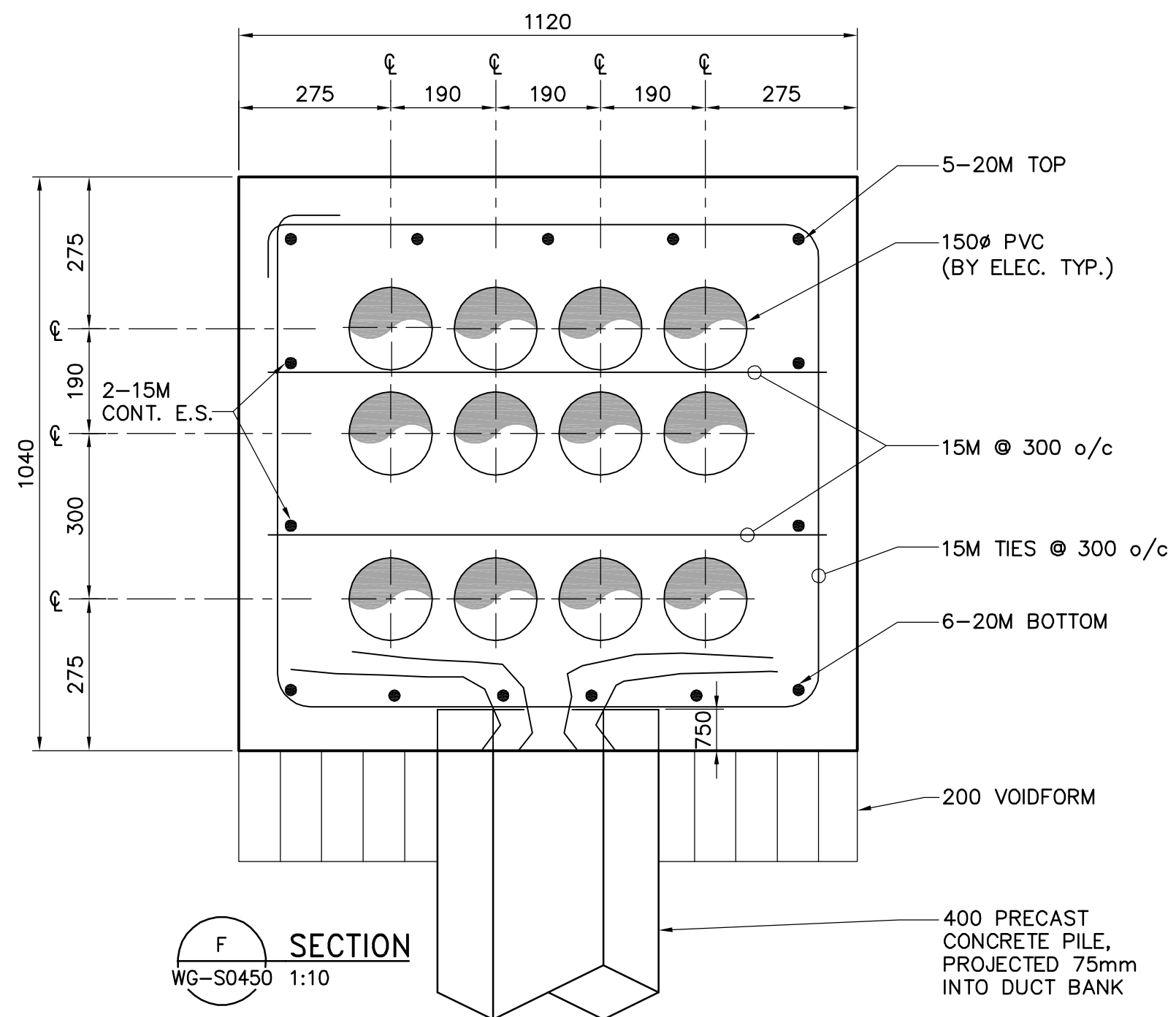
C SECTION
WG-S0450 1:20



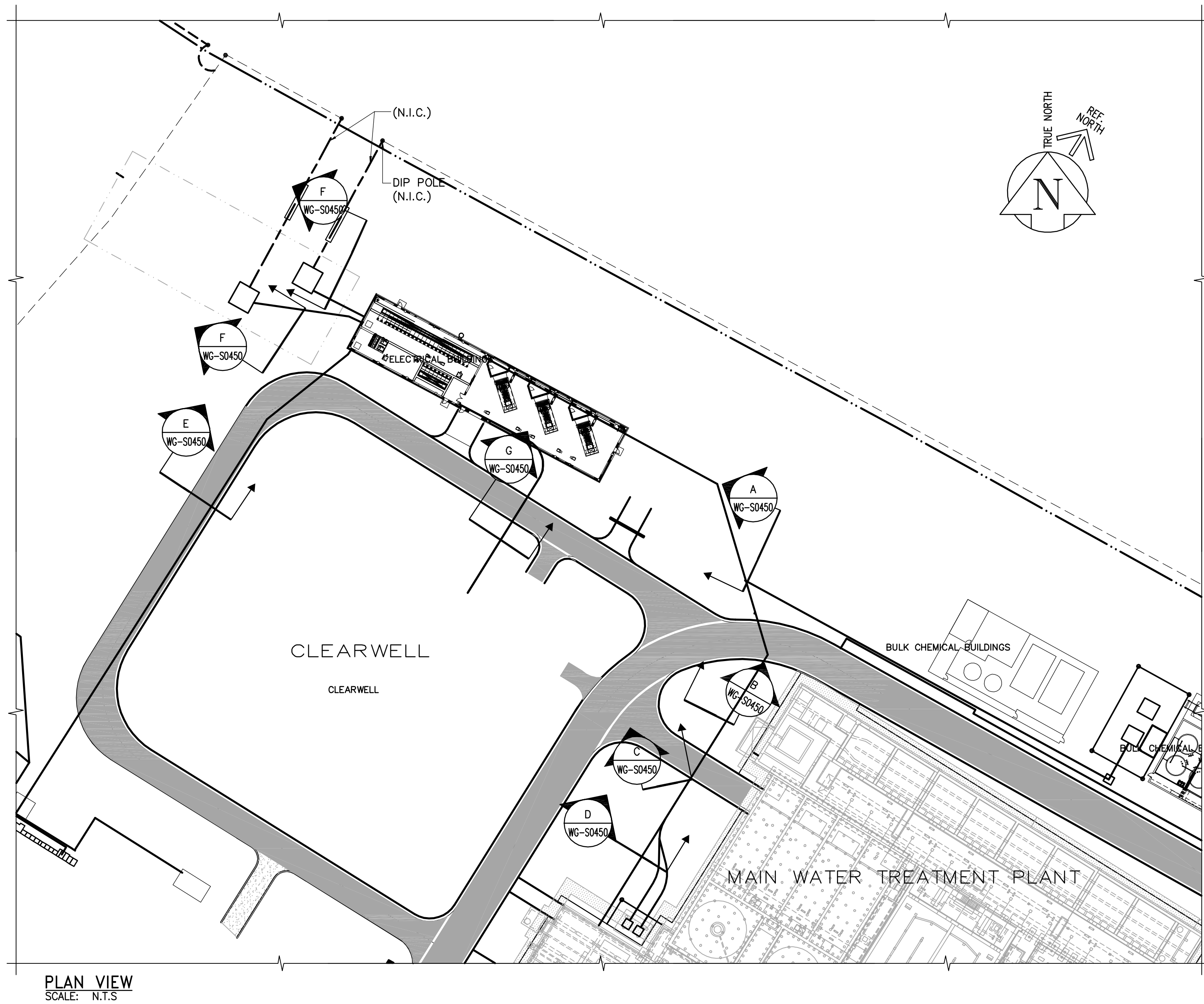
D SECTION
WG-S0450 1:10



G SECTION
WG-S0450 1:10



F SECTION
WG-S0450 1:10



PLAN VIEW
SCALE: N.T.S



NO.	REVISIONS	DATE	BY
00	ISSUED FOR TENDER	06/08/28	CMF

DESIGNED BY	AP/GGP	CHECKED BY	MK
DRAWN BY	CMF	APPROVED BY	AHL
SCALE:	AS SHOWN	RELEASED FOR CONSTRUCTION BY:	R. SOROKOWSKI
DATE	2006/06/16	DATE	2006/08/30

ENGINEER'S SEAL
ORIGINAL SIGNED BY
A. POCHANART
2006/08/30
CONSULTANT DRAWING NO.
WG-S0450

THE CITY OF WINNIPEG WATER AND WASTE DEPARTMENT ENGINEERING DIVISION	
WATER TREATMENT PLANT STANDBY POWER GENERATOR	CITY FILE NUMBER
STRUCTURAL DUCT BANK PLAN & SECTIONS	SHEET OF
	CITY DRAWING NUMBER
	1-0601G-A-S0450-001-000