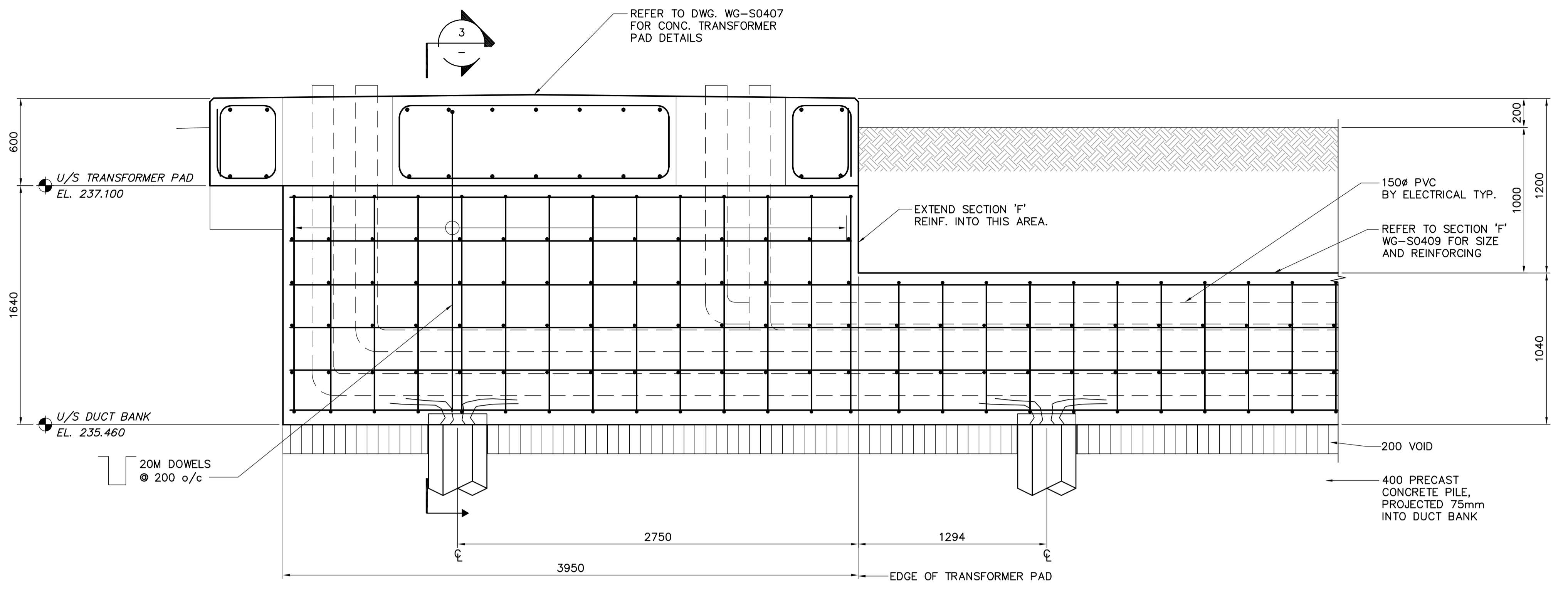
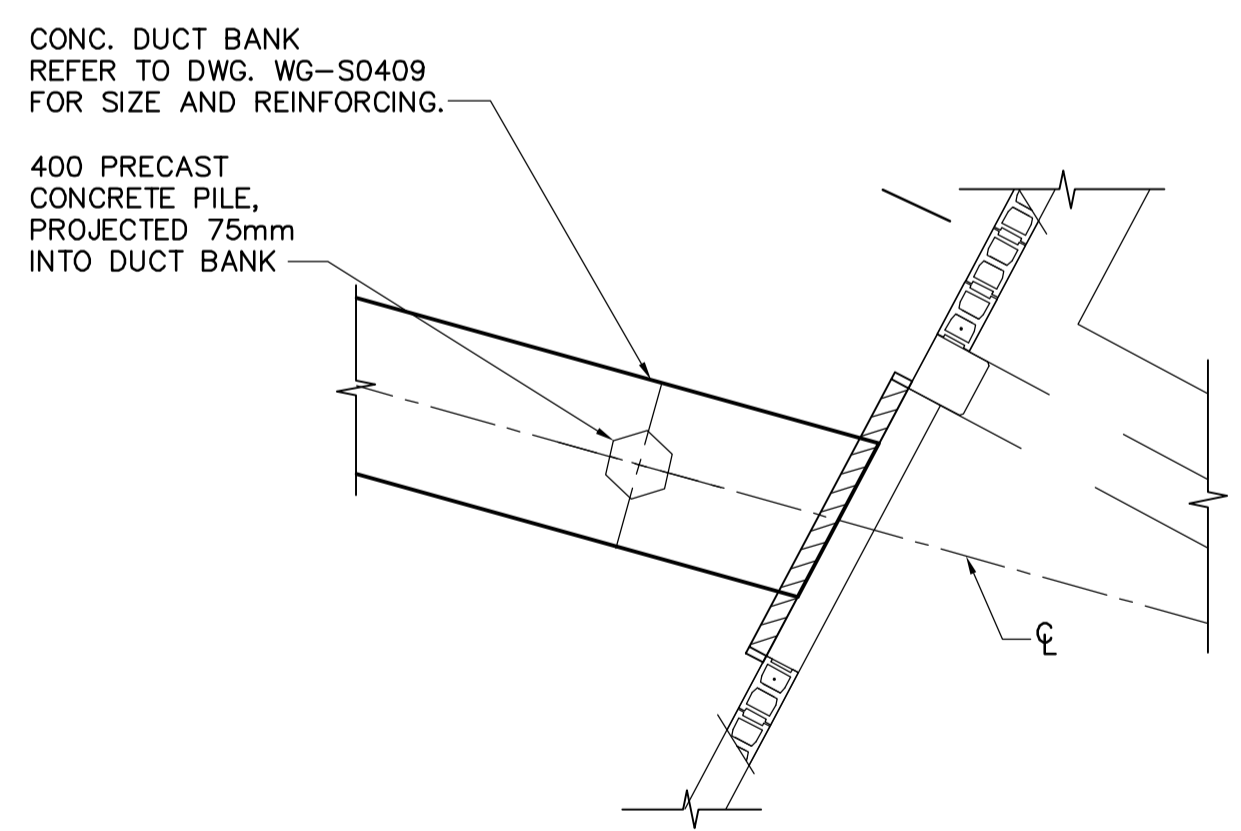


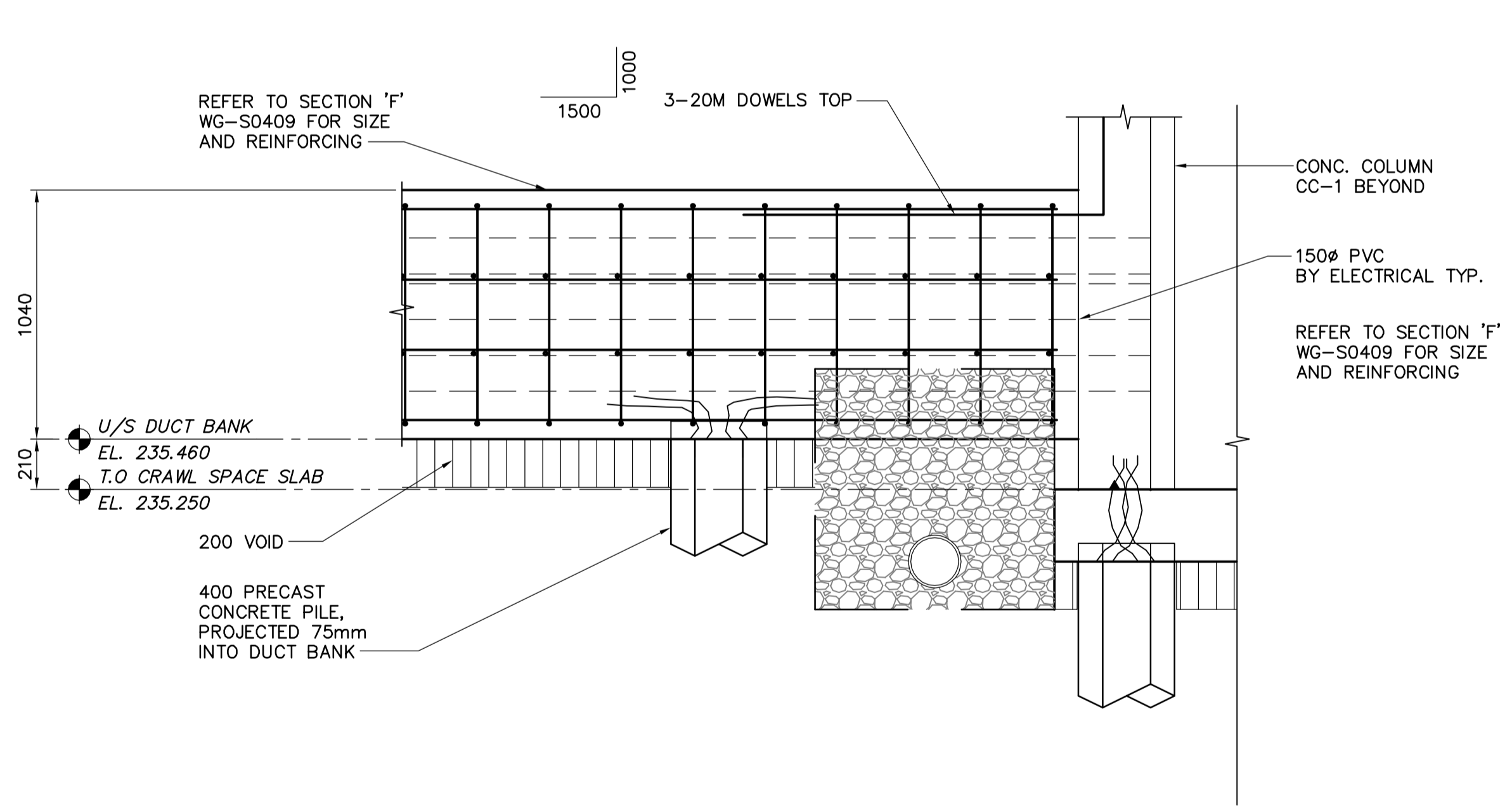
A PLAN DETAIL
WG-S0451 20:1



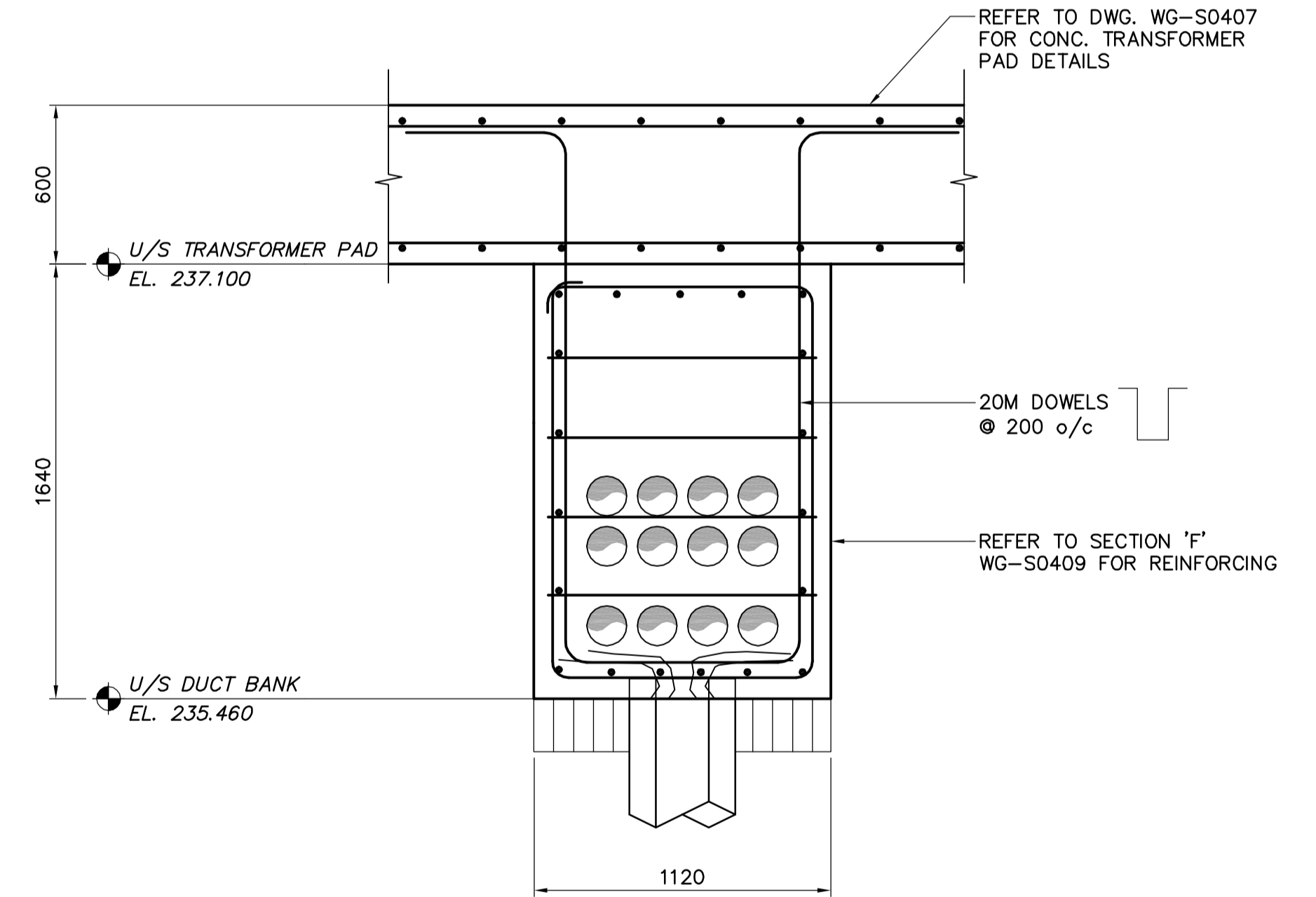
1 SECTION
WG-S0451 1:20



B PLAN DETAIL
WG-S0451 20:1



2 SECTION
WG-S0451 1:20



3 SECTION
1:20



B.M. ELEV.			
DESIGNED BY	AP/GGP	CHECKED BY	GGP
DRAWN BY	KK	APPROVED BY	AHL
SCALE:	AS SHOWN	RELEASED FOR CONSTRUCTION BY:	R. SOROKOWSKI
00 ISSUED FOR TENDER	06/08/28	DATE	2006/07/04
NO. REVISIONS		DATE	2006/08/30

CH2MHILL
Frederickson Cooper ARCHITECTS

EarthTech
A Tyco International Ltd. Company

ENGINEER'S SEAL
ORIGINAL SIGNED BY
A. POCHANART
2006/08/30

CONSULTANT DRAWING NO.
WG-S0452

THE CITY OF WINNIPEG
WATER AND WASTE DEPARTMENT
ENGINEERING DIVISION

WATER TREATMENT PLANT
EMERGENCY POWER GENERATOR

CITY FILE NUMBER
SHEET OF

STRUCTURAL
DUCT BANK SECTIONS

CITY DRAWING NUMBER
1-0601G-A-S0452-001-000