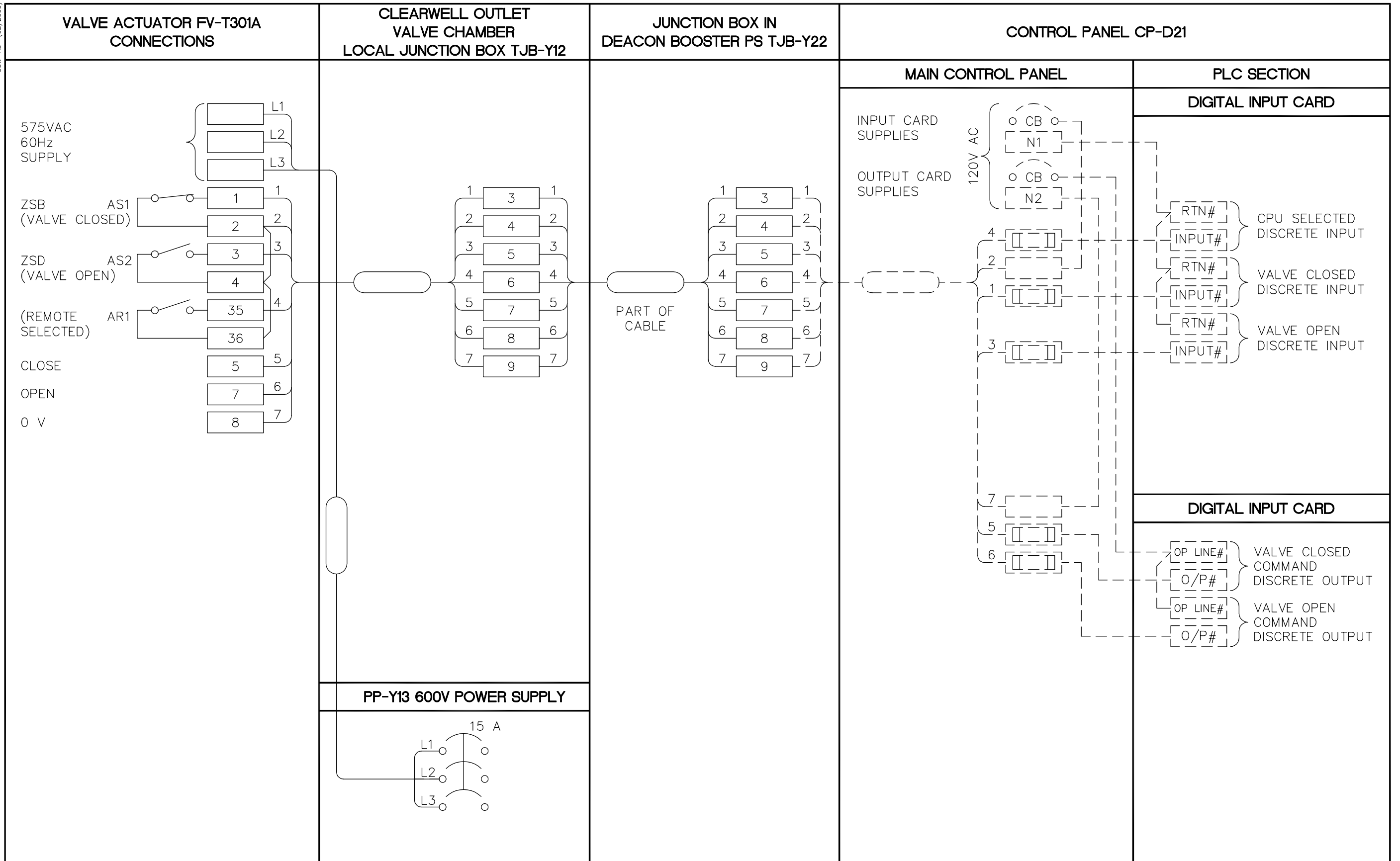


COW-A3 (02/2006)



**NOTE:**

- RELAYS IN ACTUATOR TO BE PROGRAMMED AS ABOVE.
- ALL WIRING AND TERMINALS SHOWN DOTTED ARE BY OTHERS.

<p><b>APIGN</b> Certificate of Authorization Earth Tech Canada Inc. No. 730 Expiry: April 30, 2007</p>	<p>B.M. ELEV.</p>		<p><b>CH2M HILL</b> Fredericson Cooper [A R C H I T E C T S]</p>	<p><b>EarthTech</b> A Tyco International Ltd. Company</p>	<p>ENGINEER'S SEAL</p>		<p><b>THE CITY OF WINNIPEG</b> WATER AND WASTE DEPARTMENT ENGINEERING DIVISION</p>																	
	<table border="1"> <tr> <td>DESIGNED BY</td> <td>NT</td> <td>CHECKED BY</td> <td>BLM</td> </tr> <tr> <td>DRAWN BY</td> <td>SRP</td> <td>APPROVED BY</td> <td>AHL</td> </tr> <tr> <td>SCALE:</td> <td>NTS</td> <td>RELEASED FOR CONSTRUCTION BY:</td> <td>R. SOROKOWSKI</td> </tr> <tr> <td>DATE</td> <td>2006/08/17</td> <td>DATE</td> <td>2006/08/30</td> </tr> </table>				DESIGNED BY	NT		CHECKED BY	BLM	DRAWN BY	SRP	APPROVED BY	AHL	SCALE:	NTS	RELEASED FOR CONSTRUCTION BY:	R. SOROKOWSKI	DATE	2006/08/17	DATE	2006/08/30	<p>ORIGINAL SIGNED BY B.L. MOORE 2006/08/30</p>		<p>CITY FILE NUMBER</p>
	DESIGNED BY	NT			CHECKED BY	BLM																		
	DRAWN BY	SRP			APPROVED BY	AHL																		
SCALE:	NTS	RELEASED FOR CONSTRUCTION BY:	R. SOROKOWSKI																					
DATE	2006/08/17	DATE	2006/08/30																					
<table border="1"> <tr> <td>00</td> <td>ISSUED FOR TENDER</td> <td>06/08/28</td> <td>LAE</td> </tr> <tr> <td>NO.</td> <td>REVISIONS</td> <td>DATE</td> <td>BY</td> </tr> </table>		00	ISSUED FOR TENDER	06/08/28	LAE	NO.	REVISIONS	DATE	BY	<p>CONSULTANT DRAWING NO. WG-A0401</p>		<p>SHEET OF</p>												
00	ISSUED FOR TENDER	06/08/28	LAE																					
NO.	REVISIONS	DATE	BY																					
				<p>AUTOMATION / I&amp;C VALVE ACTUATOR FV-T301A LOOP DIAGRAM</p>		<p>CITY DRAWING NUMBER 1-0601G-H-A0401-001-00B</p>																		