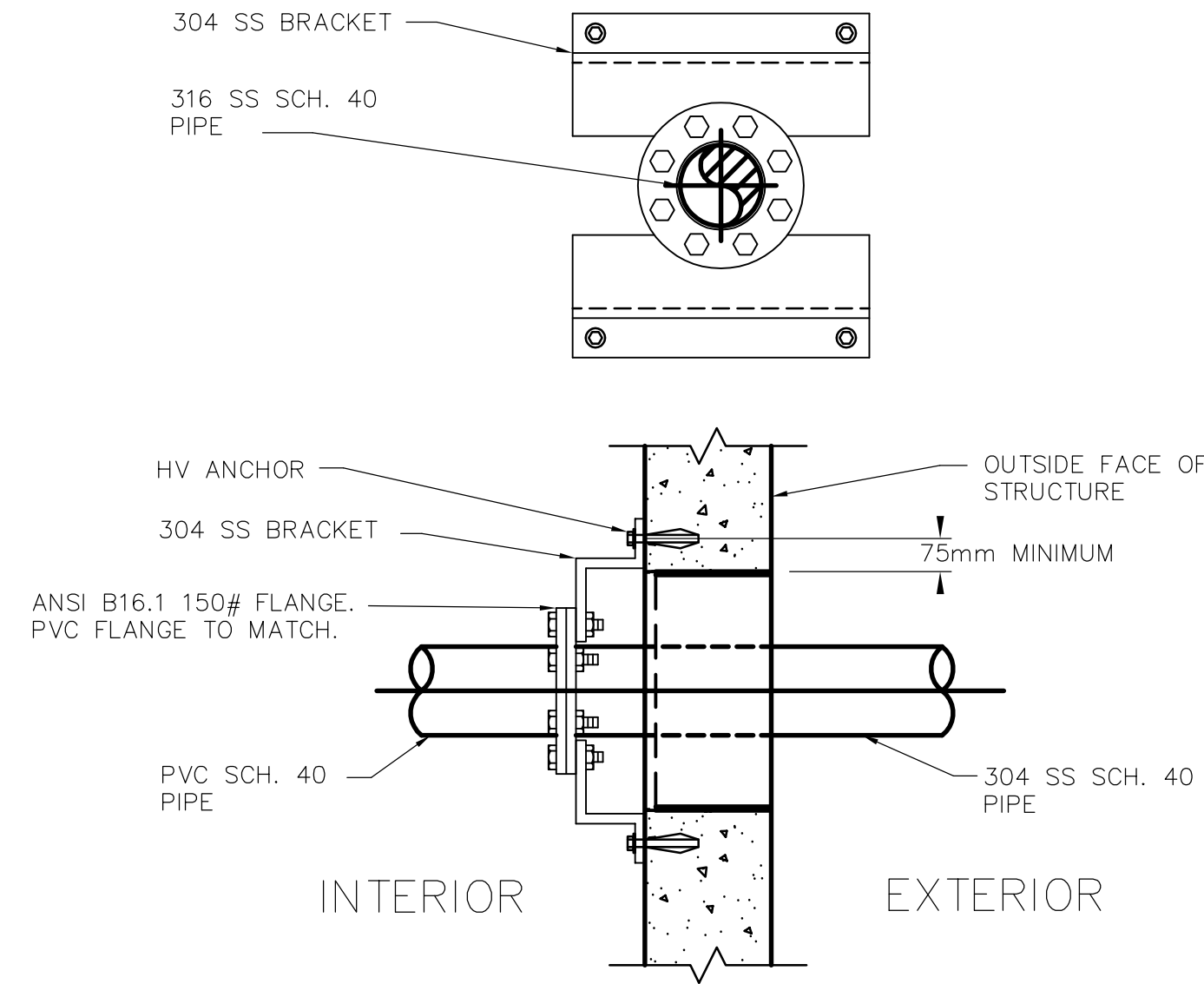


- APPLICATION NOTES**
1. CONCRETE OR MASONRY WALLS, NEW OR EXISTING.
  2. INSULATED PIPE
  3. CONDITION
    - a) DRY TO DRY

**1 WALL PENETRATION DETAIL**  
WT-M0006 N.T.S.



**2 PIPE SUPPORT DETAIL**  
WT-M0006 N.T.S.

<p><b>APEGM</b> Certificate of Authorization Earth Tech Canada Inc. No. 730 Expiry: April 30, 2007</p>	B.M. ELEV.		<p>Frederickson Cooper ARCHITECTS</p>	<p>EarthTech A Tyco International Ltd. Company</p>	ENGINEER'S SEAL	<p><b>THE CITY OF WINNIPEG</b> WATER AND WASTE DEPARTMENT ENGINEERING DIVISION</p>	CITY FILE NUMBER		
					DESIGNED BY DC		CHECKED BY AB	ORIGINAL SIGNED BY A. BURACHYNSKY	SHEET OF
					DRAWN BY DC		APPROVED BY AHL	2006/08/30	CITY DRAWING NUMBER
					SCALE: AS SHOWN		RELEASED FOR CONSTRUCTION BY: R. SOROKOWSKI	CONSULTANT DRAWING NO. WT-M0006	<b>1-06011-A-M0006-001-000</b>
00 ISSUED FOR TENDER 06/08/28 DC		NO. REVISIONS	DATE BY	DATE	2005/03/21	DATE	2006/08/30		