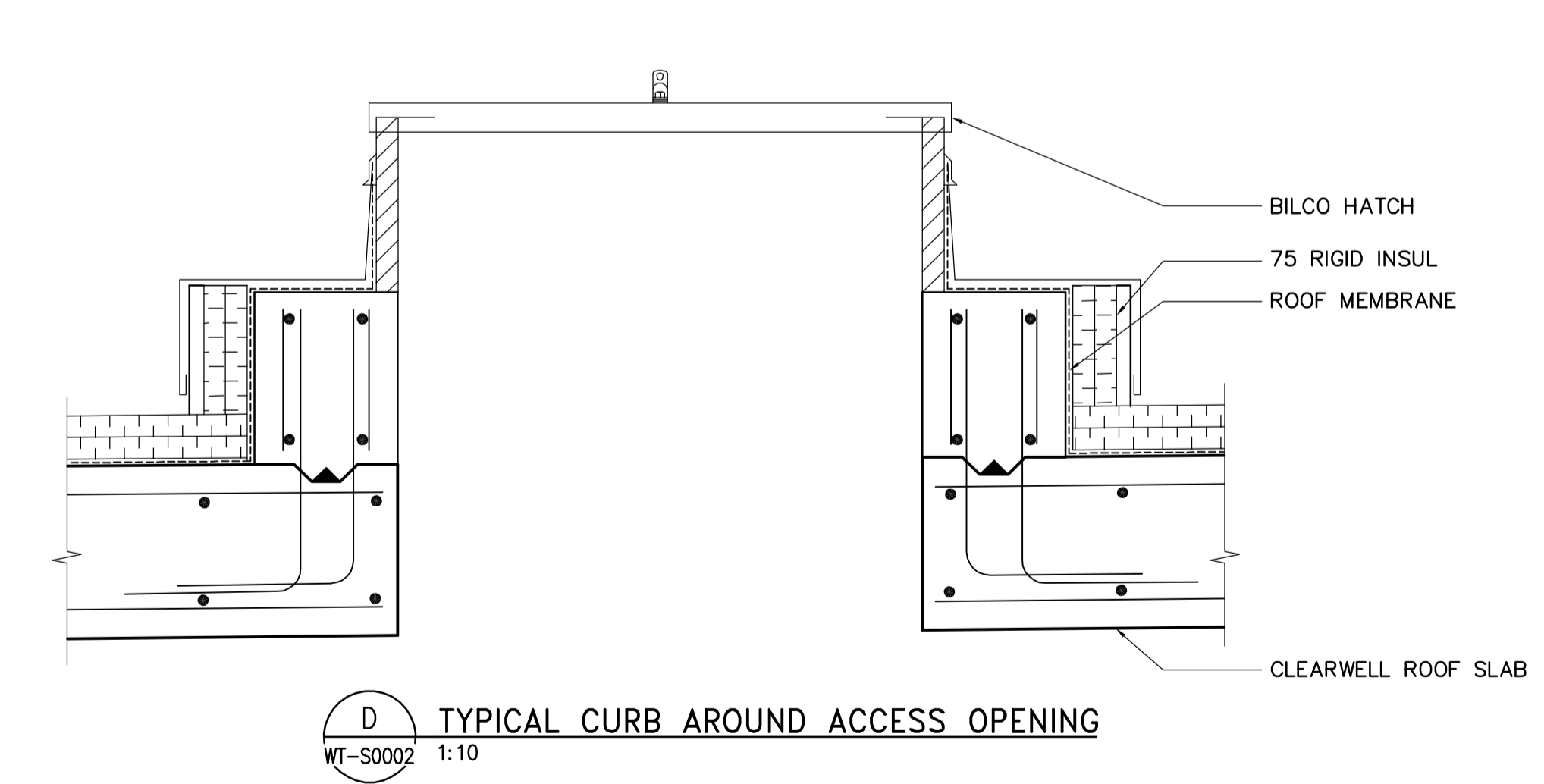
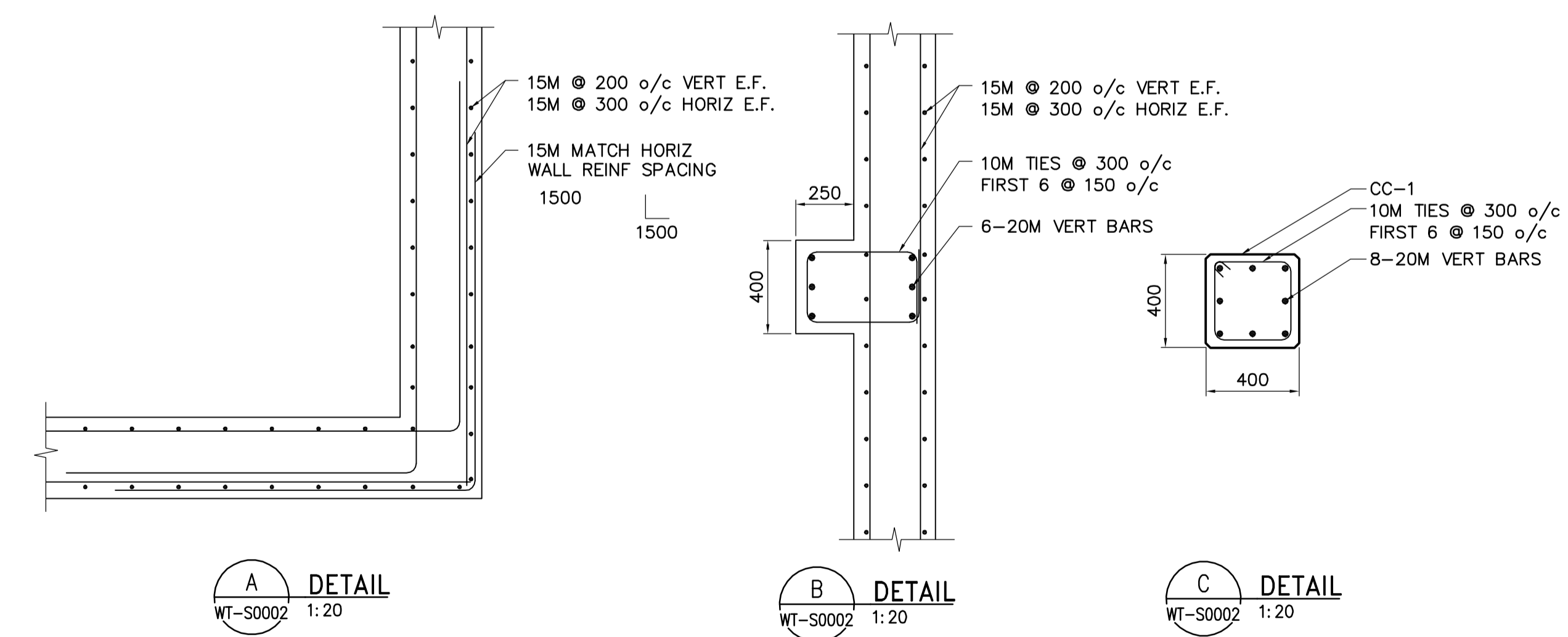


- CC-1**  
CONC COLUMN  
400x400  
REINF:  
8-20M VERT BARS  
10M TIES @ 300 o/c  
FIRST 6 @ 150 o/c
- CB-1**  
400 WIDE x 800 DEEP  
REINF:  
END CONDITION  
4-25M BOTT BARS  
2-15M SKIN REINF. E.F.  
2-25M TOP BARS  
10M STIRRUPS @ 300 o/c
- CW-1**  
350 CONC WALL  
15M @ 200 o/c E.F. VERT  
15M @ 300 o/c E.F. HORIZ
- CW-2**  
200 CONC WALL  
15M @ 200 o/c HORIZ &  
VERT, MID



B.M. ELEV.					
DESIGNED BY	RE	CHECKED BY	MK		
DRAWN BY	WDB	APPROVED BY	AHL		
SCALE:	AS NOTED	RELEASED FOR CONSTRUCTION BY:	R. SOROKOWSKI		
00 ISSUED FOR TENDER	06/08/28	WDB			
NO. REVISIONS	DATE	BY	DATE	2005/12/21	DATE

  Frederickson Cooper ARCHITECTS	ENGINEER'S SEAL	 <b>THE CITY OF WINNIPEG</b> WATER AND WASTE DEPARTMENT ENGINEERING DIVISION	CITY FILE NUMBER
	ORIGINAL SIGNED BY R. ERIC 2006/08/30		SHEET OF
	CONSULTANT DRAWING NO. WT-S0002	WATER TREATMENT PLANT TREATED WATER STORAGE INLET BUILDING STRUCTURAL PLANS	CITY DRAWING NUMBER <b>1-060T-A-S0002-001-00D</b>