



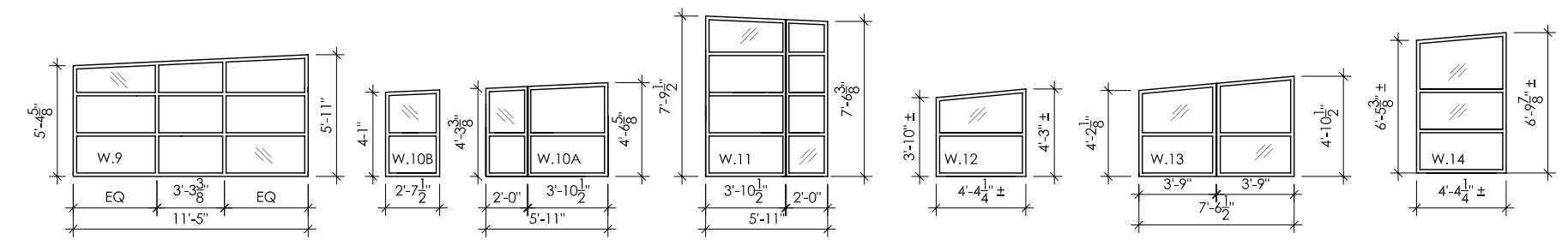
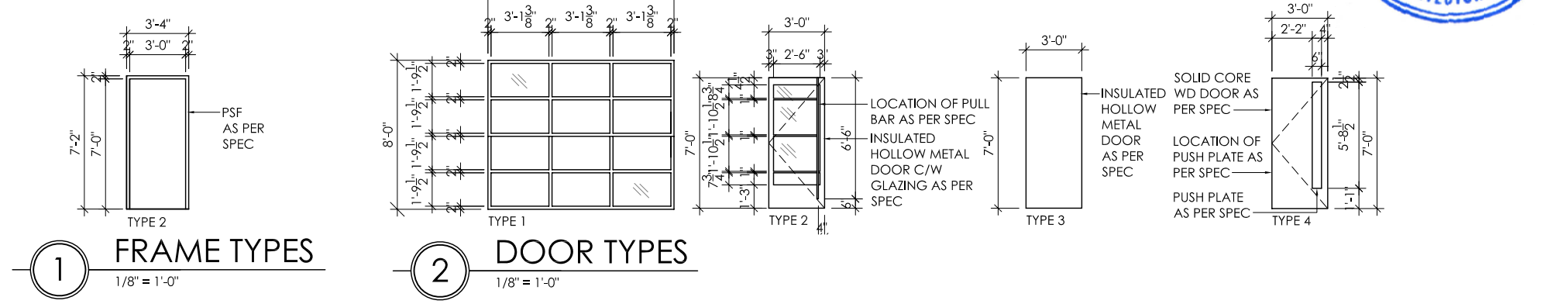
ASSINIBOINE PARK DUCK POND SHELTER WINDOW SCHEDULE					
WND TYPE	SIZE (W x HT)	GL TYPE	WND FR MAT	FR FIN	
W.1	11'5" X VARIES	A	FBG	PTD	CHECK VARYING HEIGHTS ON DWGS
W.2	11'5" X VARIES	A	FBG	PTD	CHECK VARYING HEIGHTS ON DWGS
W.3	11'5" X VARIES	A	FBG	PTD	CHECK VARYING HEIGHTS ON DWGS
W.4	11'4" X VARIES	A	FBG	PTD	CHECK VARYING HEIGHTS ON DWGS
W.5	11'4" X VARIES	A	FBG	PTD	CHECK VARYING HEIGHTS ON DWGS
W.6	11'4" X VARIES	A	FBG	PTD	CHECK VARYING HEIGHTS ON DWGS
W.7	11'5" X VARIES	A	FBG	PTD	CHECK VARYING HEIGHTS ON DWGS
W.8	11'5" X VARIES	A	FBG	PTD	CHECK VARYING HEIGHTS ON DWGS
W.9	11'5" X VARIES	A	FBG	PTD	CHECK VARYING HEIGHTS ON DWGS
W.10 B	2'-7 1/2" X VARIES	A	FBG	PTD	CHECK VARYING HEIGHTS ON DWGS
W.10 A	5'-11 1/8" X VARIES	A	FBG	PTD	CHECK VARYING HEIGHTS ON DWGS
W.11	5'-11 1/8" X VARIES	A	FBG	PTD	CHECK VARYING HEIGHTS ON DWGS
W.12	4'-4 1/4" X VARIES	A	FBG	PTD	CHECK VARYING HEIGHTS ON DWGS
W.13	7'-6 1/2" X VARIES	A	FBG	PTD	CHECK VARYING HEIGHTS ON DWGS
W.14	4'-4 1/4" X VARIES	A	FBG	PTD	CHECK VARYING HEIGHTS ON DWGS

LEGEND	
PTD - PAINTED	WND - WINDOW
FR - FRAME	W - WIDTH
FBG - FIBERGLASS	H - HEIGHT
MAT - MATERIAL	
GL - GLAZING UNIT	
FIN - FINISH	

A - DOUBLE PANE UNIT 25 MIL (2 X 6 MIL PANES WITH 13 MIL AIR SPACE)

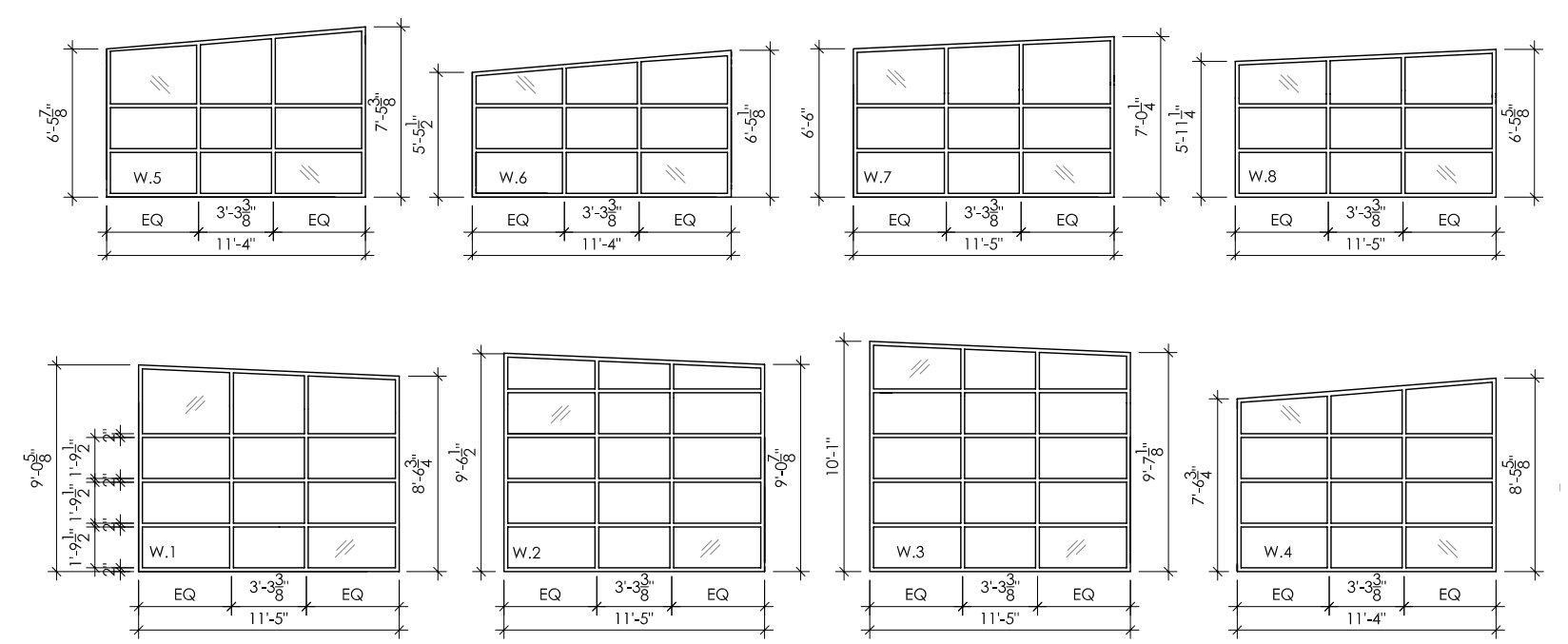
ALL DIMENSIONS TO BE CONFIRMED ON SITE BY CONTRACTOR



ASSINIBOINE PARK DUCK POND PAVILION DOOR SCHEDULE											
NO.	ROOM	SIZE (WxH)	THICK	DR TYPE	DR MAT	DR FIN	FRM TYPE	FRM MAT	FRM FIN	LABEL	HARDWARE + REMARKS
D.1	PICNIC AREA	10'-0" x 8'-0"	1 1/2"	1	AL/GL	ANOD AL	-	-	-		
D.2	PICNIC AREA	10'-0" x 8'-0"	1 1/2"	1	AL/GL	ANOD AL	-	-	-		
D.3	PICNIC AREA	10'-0" x 8'-0"	1 1/2"	1	AL/GL	ANOD AL	-	-	-		
D.4	PICNIC AREA	10'-0" x 8'-0"	1 1/2"	1	AL/GL	ANOD AL	-	-	-		
D.5	PICNIC AREA	10'-0" x 8'-0"	1 1/2"	1	AL/GL	ANOD AL	-	-	-		
D.6	PICNIC AREA	10'-0" x 8'-0"	1 1/2"	1	AL/GL	ANOD AL	-	-	-		
D.7	PICNIC AREA	10'-0" x 8'-0"	1 1/2"	1	AL/GL	ANOD AL	-	-	-		
D.8	PICNIC AREA	10'-0" x 8'-0"	1 1/2"	1	AL/GL	ANOD AL	-	-	-		
D.9	PICNIC AREA	10'-0" x 8'-0"	1 1/2"	1	AL/GL	ANOD AL	-	-	-		
D.10	PICNIC AREA	3'-0" x 7'-0"	1 3/4"	2	MTL/GL	PTD	1	PSF	PTD		DB, WS, INS, TH, KP, DO, DP, EG
D.11	ACCESSIBLE W/C	3'-0" x 7'-0"	1 3/4"	3	WD	S/AEE	1	PSF	PTD		PC, WS, INS, TH, KP, DC, EG
D.12	WOMEN'S W/C	3'-0" x 7'-0"	1 3/4"	3	WD	S/AEE	1	PSF	PTD		DB, WS, INS, TH, KP, DC, PP, DP, EG, DG
D.13	MECH. ROOM	2 - 3'-0" x 7'-0"	1 3/4"	3	EX	PTD	1	EX	PTD		DB, WS, INS, TH, KP, DC, DP
D.14	COM. STORAGE	3'-0" x 7'-0"	1 3/4"	4	MTL	PTD	1	PSF	PTD		DB, WS, INS, TH, KP, DB, DP
D.15	PICNIC AREA	3'-0" x 7'-0"	1 3/4"	2	MTL/GL	PTD	1	PSF	PTD		DB, WS, INS, TH, KP, DO, PP, DP, EG
D.16	MEN'S W/C	3'-0" x 7'-0"	1 3/4"	3	WD	S/AEE	1	PSF	PTD		DB, WS, INS, TH, KP, DC, PP, DP, EG, DG
D.17	JANITOR'S ROOM	3'-0" x 7'-0"	1 3/4"	4	WD	S/AEE	1	PSF	PTD	FR 3/4 HR	DB, WS, INS, TH, KP, DC, DB, DP, EG

LEGEND:							
AL	ALUMINUM	DB	DEADBOLT	DO	DOOR OPENER	PTD	PAINTED
GL	GLASS	W	WIDTH	DC	DOOR CLOSER	PSF	PRESSED STEEL FRAME
WD	WOOD	H	HEIGHT	PC	PRIVACY SET	EX	EXISTING
ANODAL	ANODIZED ALUMINUM	DR	DOOR	DG	DOOR GRILL	DT	DOOR TYPE
S	STAIN	MAT	MATERIAL	KP	KICK PLATE	FT	FRAME TYPE
DB	DEAD BOLT	FIN	FINISH	EG	EDGE GUARD	INS	INSULATION
WS	WEATHER STRIPPING	PP	PUSH PLATE	TH	THRESHOLD	DP	DOOR PULL
AEE	ACRYLIC EPOXY ENAMEL						



**3 WINDOW TYPES**  
1/8" = 1'-0"