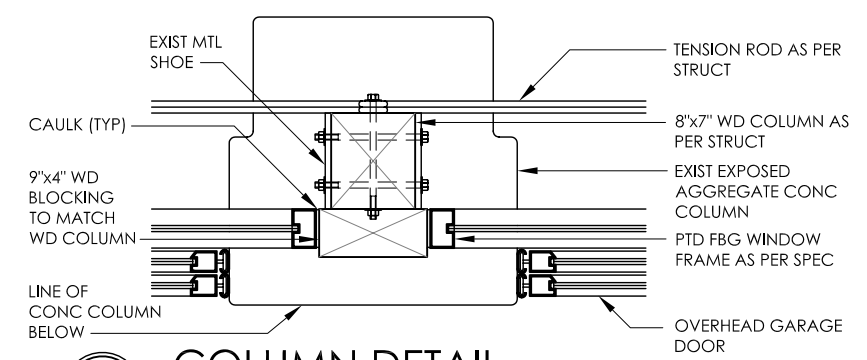
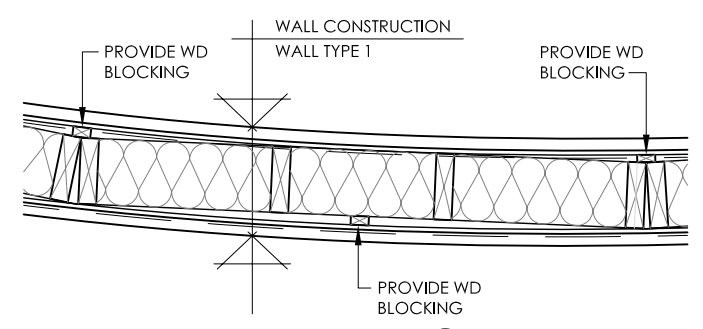


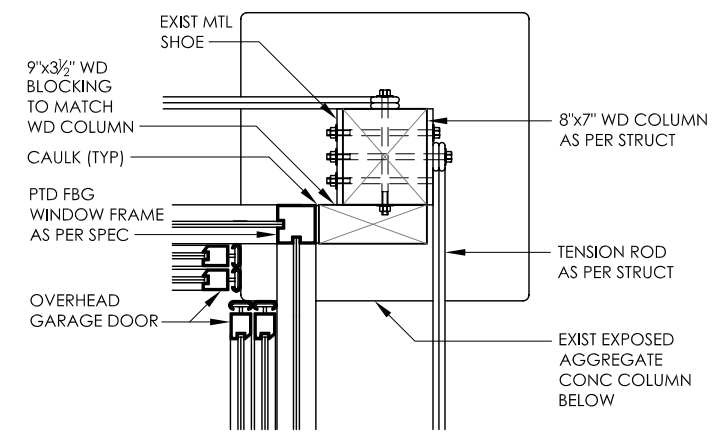
9 TRAY DETAIL  
3/4" = 1'-0"



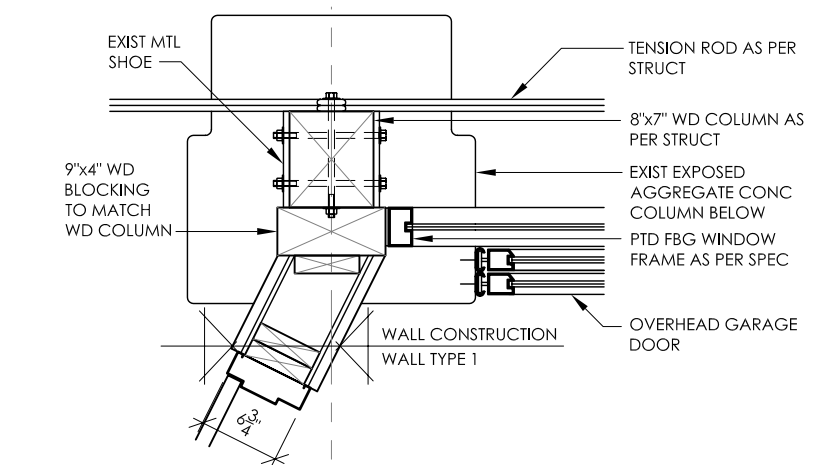
4 COLUMN DETAIL  
3/4" = 1'-0"



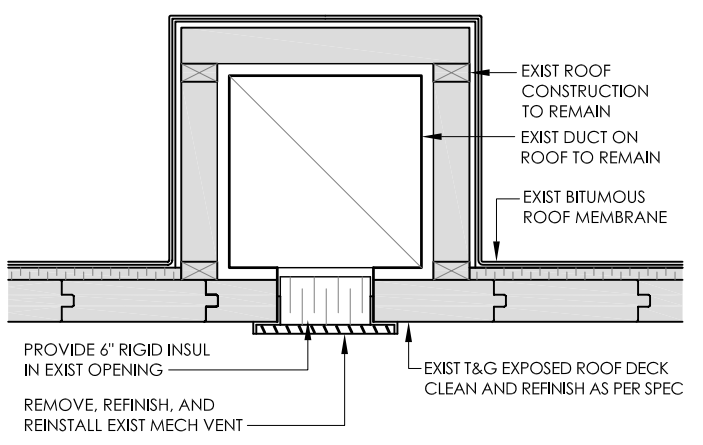
6 WALL FRAMING DETAIL  
3/4" = 1'-0"



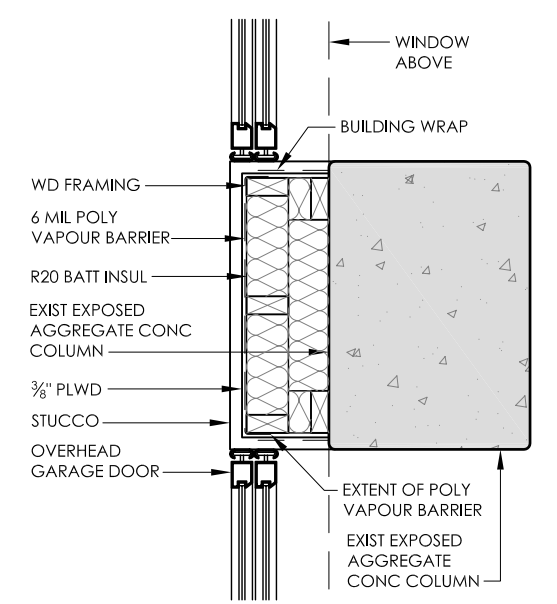
8 COLUMN DETAIL  
3/4" = 1'-0"



3 COLUMN DETAIL  
3/4" = 1'-0"



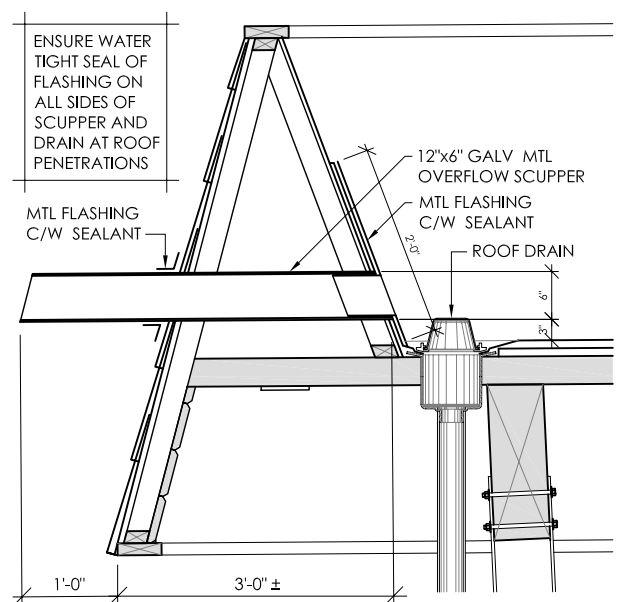
5 EXIST VENT DETAIL  
3/4" = 1'-0"



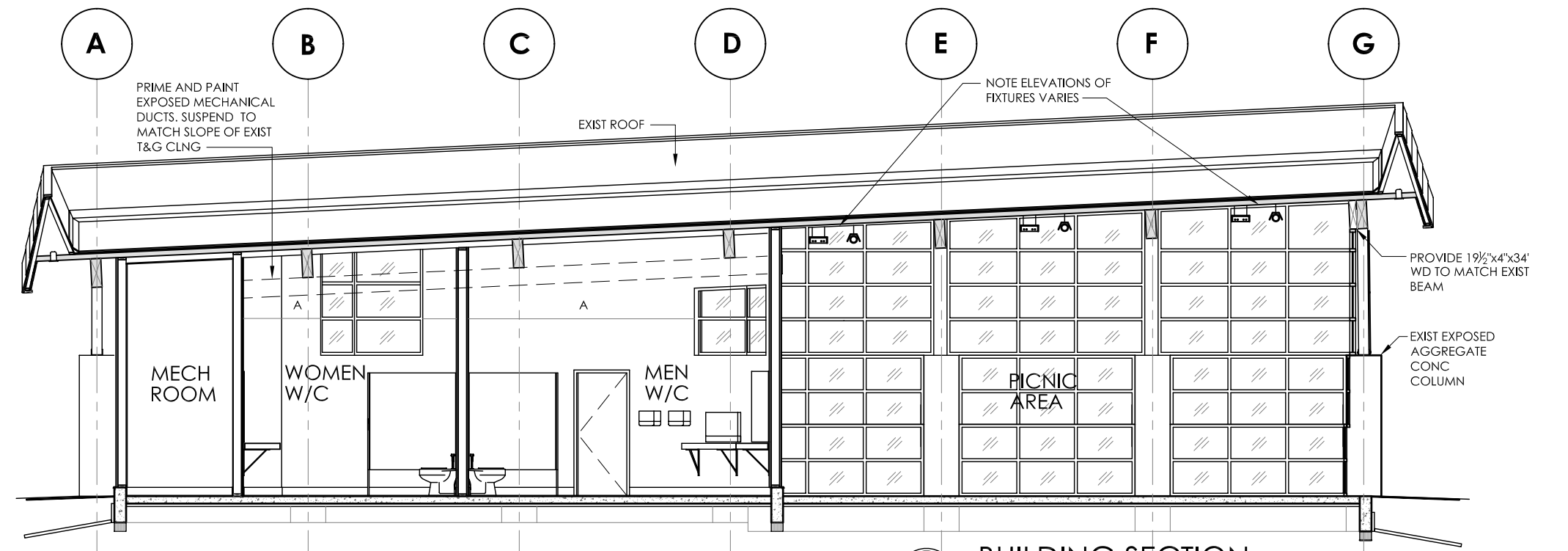
7 COLUMN DETAIL  
3/4" = 1'-0"

CARRY MTL FLASHING 24" UP ROOF AND 15' TO THE NORTHEAST ALONG GRID LINE A FROM ROOF SCUPPER TO GRID LINE 3

CARRY MTL FLASHING 24" UP ROOF AND 15' TO THE SOUTHEAST ALONG GRID LINE 4 FROM ROOF SCUPPER TO GRID LINE B



1 SCUPPER DETAIL  
1/2" = 1'-0"



2 BUILDING SECTION  
1/8" = 1'-0"