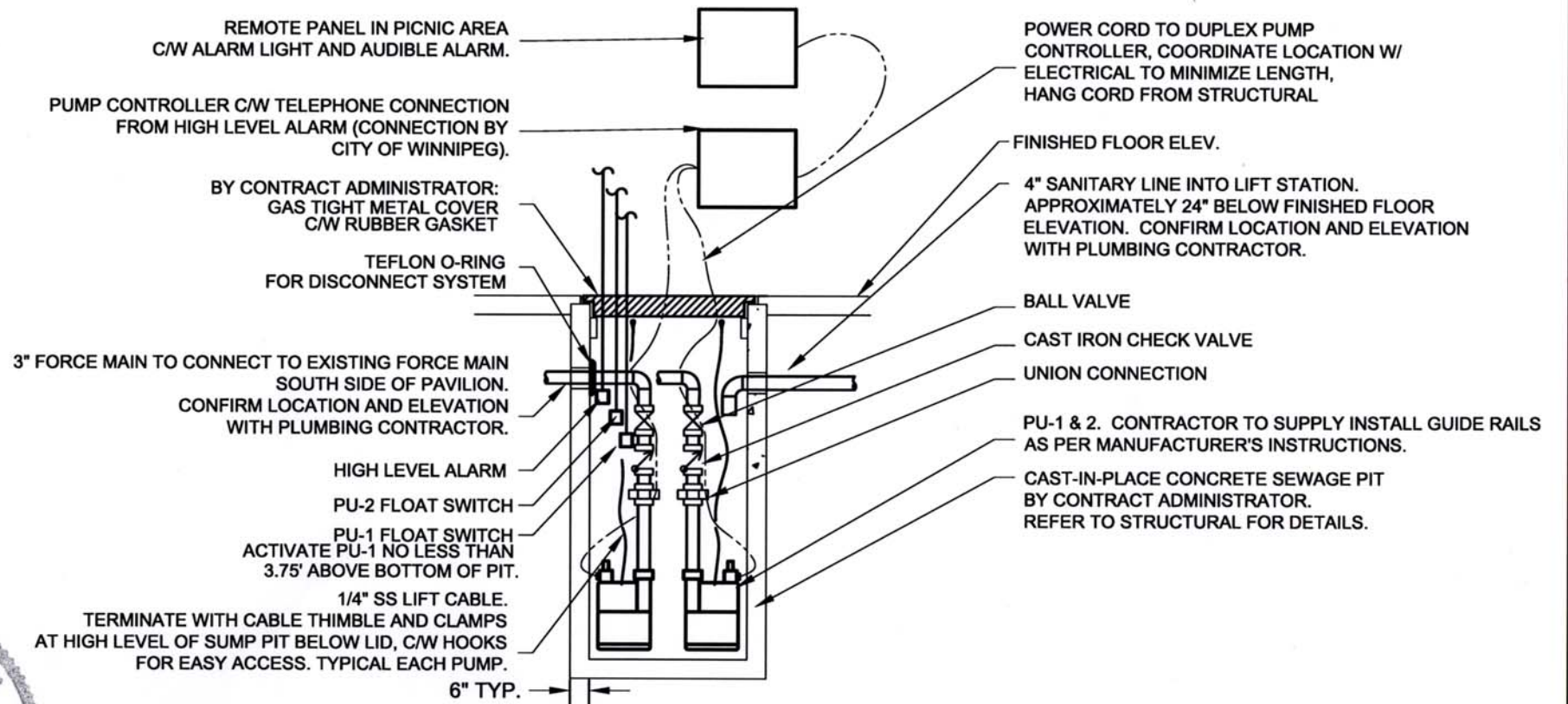
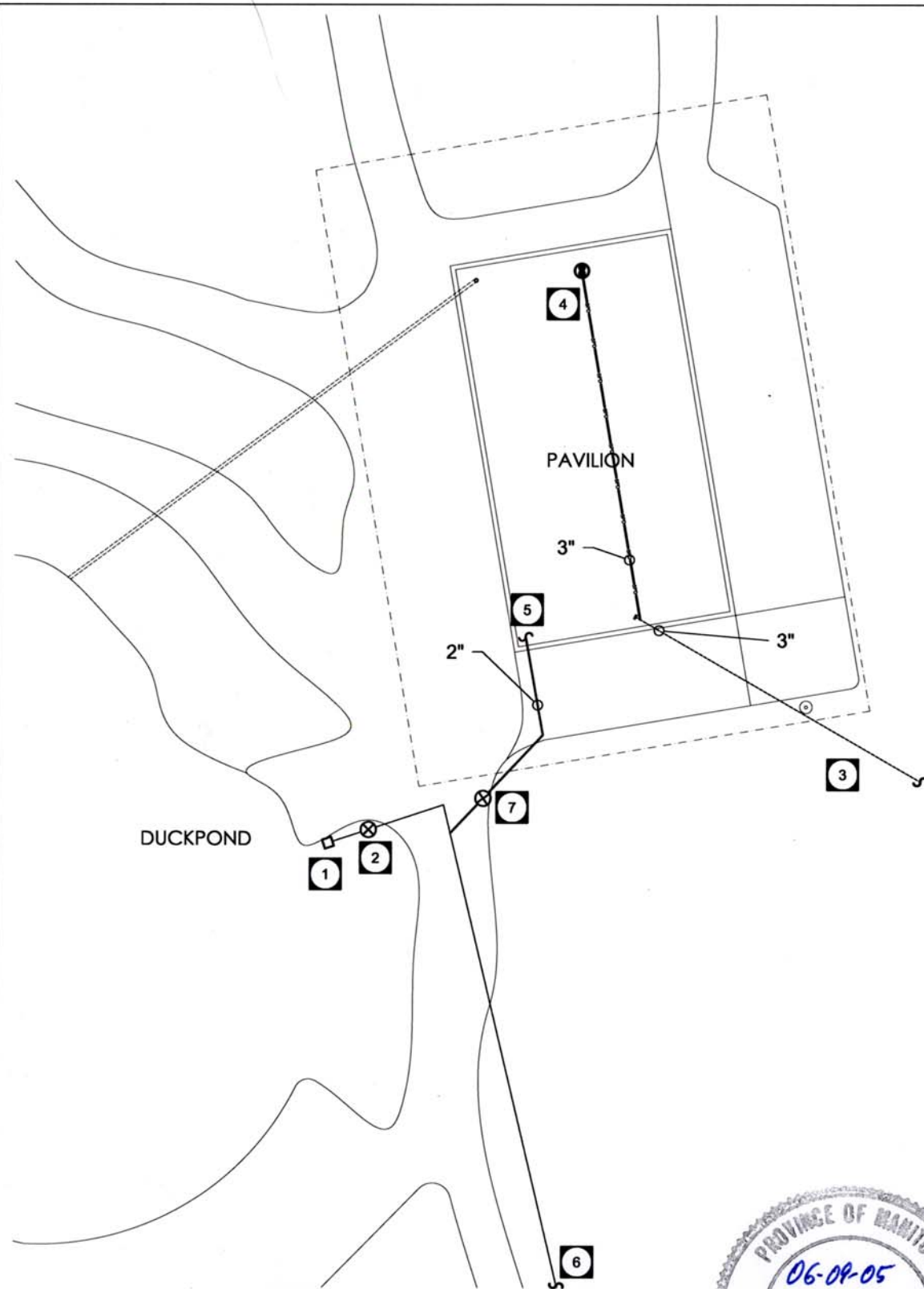


**KEY NOTES**

- 1 EXISTING 2" VALVE AND COVER FOR DUCK POND
- 2 EXISTING 2" LINE AND CURB STOP TO REMAIN.
- 3 EXISTING 3" FORCE-MAIN. FORCE-MAIN DISCHARGES AT MANHOLE BY 8" SEWER ON E. SIDE OF PAVILION.
- 4 NEW 3" FORCE MAIN FROM FROM 200 GAL. CONCRETE SEWAGE LIFT STATION, C/W PU-1&2 SEWAGE PUMPS. SEE DETAIL 2-M1.2.
- 5 NEW 2" WATER SERVICE. CONNECT TO EXISTING 2" MAIN AT EXISTING SHUT-OFF VALVE.
- 6 EXISTING 2" WATER LINE CONNECTS TO 4" MAIN AT THE PICNIC AREA SWINGS.
- 7 REPLACE EXISTING 1-1/2" LINE AND VALVE SERVING THE PAVILION WITH NEW 2" LINE AND CURB STOP.

**GENERAL NOTES**

- CONTRACTOR TO REFER TO ARCHITECTURAL SITE PLAN TO CONFIRM ALL SITE DIMENSIONS AND BUILDING ELEVATIONS.
- ALL CONSTRUCTION METHODS AND MATERIALS TO CONFORM TO THE LATEST CITY OF WINNIPEG CONSTRUCTION SPECIFICATIONS AND DETAILS.
- THE CONTRACTOR SHALL OBTAIN AND PAY FOR ALL NECESSARY PERMITS.
- GIVE AT LEAST 48 HOURS ADVANCE NOTICE TO AUTHORITIES BEFORE CONNECTING TO THE EXISTING SERVICES.
- AUGER UNDER STREET PAVEMENT.
- MAKE GOOD EXISTING ROADS, SIDEWALKS, CURBS AND ALL OTHER EXISTING SERVICES DISTURBED BY THE SERVICE WORK TO THE SATISFACTION OF THE CITY AND THE CONTRACT ADMINISTRATOR..
- COMPLETE ALL TESTS AND CLEANING AS REQUIRED TO MEET CITY OF WINNIPEG STANDARDS AND PROVIDE A FULLY OPERATIONAL SYSTEM.
- DOMESTIC WATER LINE TO BE INSTALLED BELOW THE FROST LINE.
- ALL WATER/SEWER PIPE TO BE INSULATED ACCORDING TO DETAIL 2 WHERE INSTALLED ABOVE OR NEAR THE FROST LINE, OR AT ANY LOCATIONS BELOW PAVED PARKING LOTS OR ANY ROADWAYS.



1 SITE CONNECTIONS  
M1.2 SCALE: 1/32" = 1'-0"

2 SEWAGE LIFT STATION  
M1.2 SCALE: N.T.S.



**epp siepman engineering inc.**  
mechanical engineers  
303-100 Osborne St. South  
Winnipeg, MB  
R3L 1Y5  
p 204.453.1080  
f 204.453.1335  
ese@eppsiepman.com

