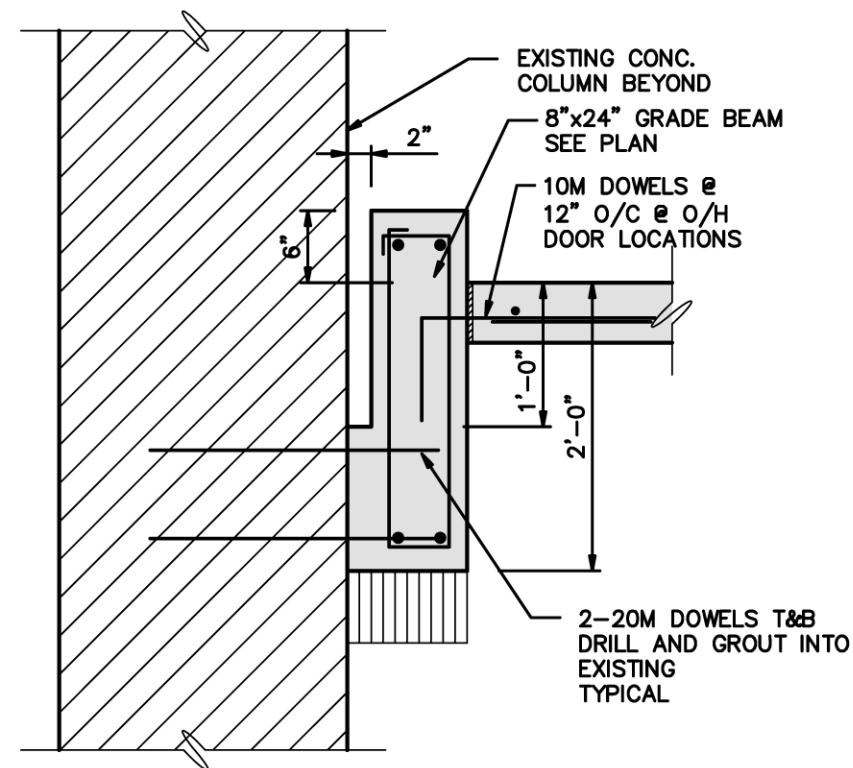
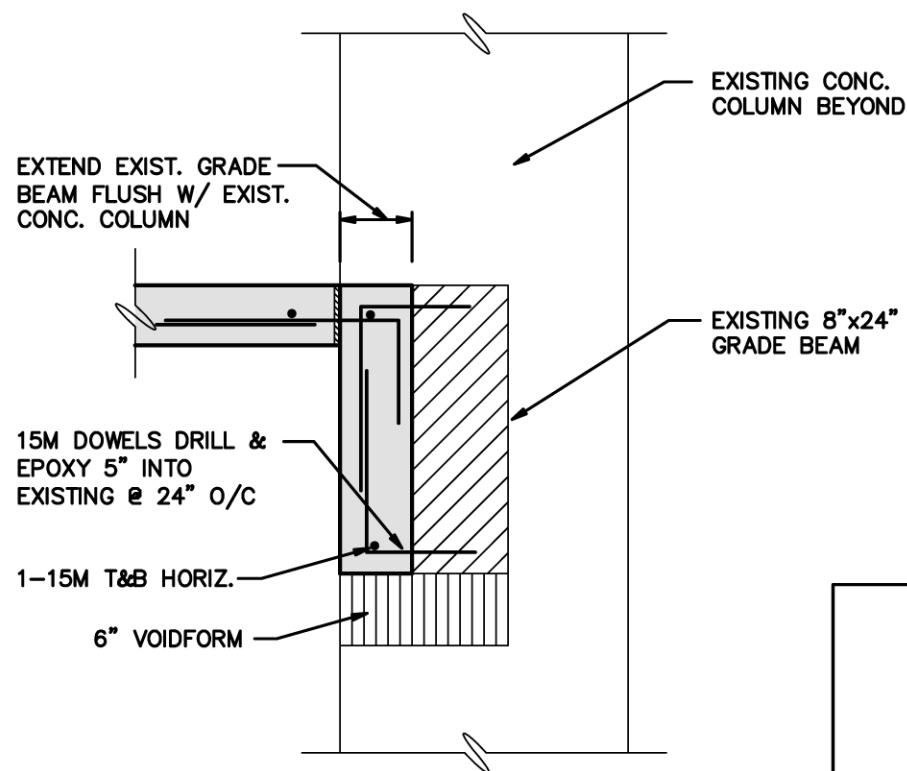


1 SECTION
S-2 3/4" = 1'-0"



2 SECTION
S-2 3/4" = 1'-0"



3 SECTION
S-2 3/4" = 1'-0"

APEGM
Certificate of Authorization
Wolfrom Engineering Ltd.
No. 1156 Expiry: April 30, 2007

WOLFROM ENGINEERING LTD CONSULTING ENGINEERS 345 WARDLAW AVENUE WINNIPEG, CANADA R3L 0L5 (204)452-0041 FAX: 284-8680 E-Mail: info@wolfromeng.com	DATE JULY 26/06	SEAL PROVINCE OF MANITOBA F. D. WOLFROM REGISTERED ENGINEER 06.08.18
	BID NO. 499-2006	
JOB TITLE ASSINIBOINE PARK FOUNDATION SECTIONS AND DETAILS	FILE NO. W06-098	THIS SEAL IS NOT VALID UNLESS SIGNED & DATED BY THE ENGINEER
	DRAWING NO. S2	

Plotted: 06-08-23 at 09:37:28 - Layout: "S-3" - Plot Scale: "PS 1:1" CAD file (by "Unknown CAD User"): "G:\06Files\W06098\W06098-sf.dwg"