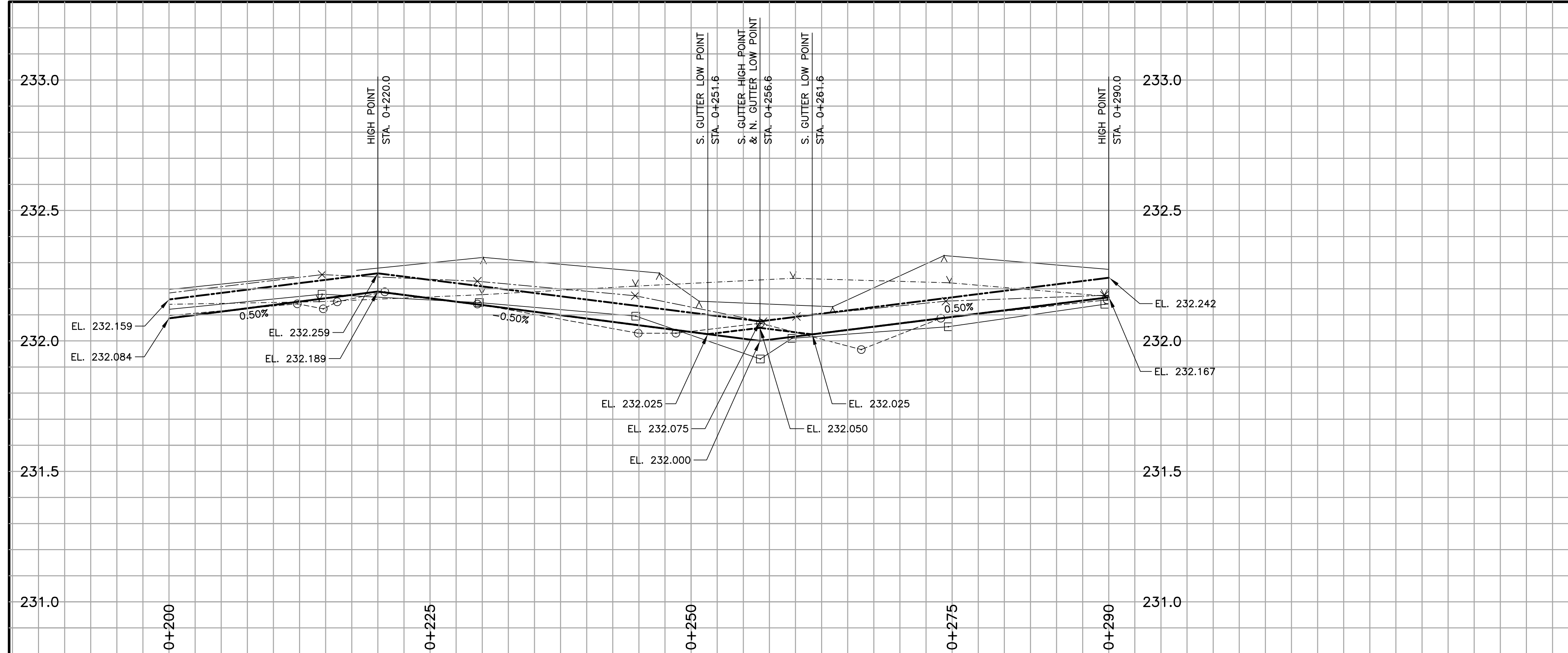
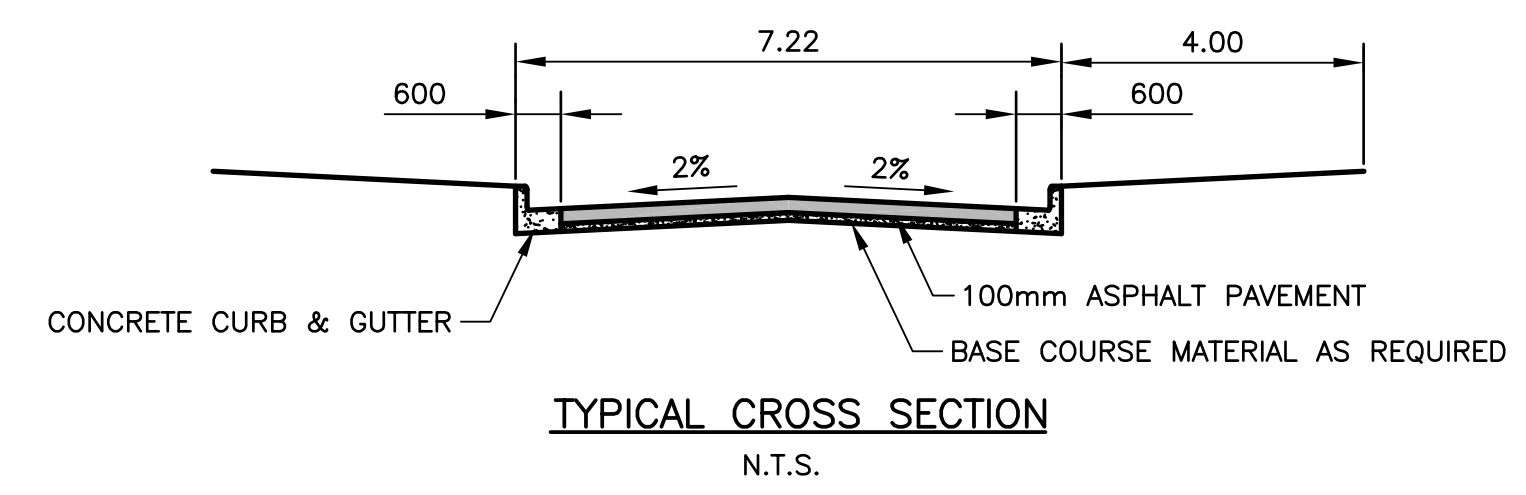
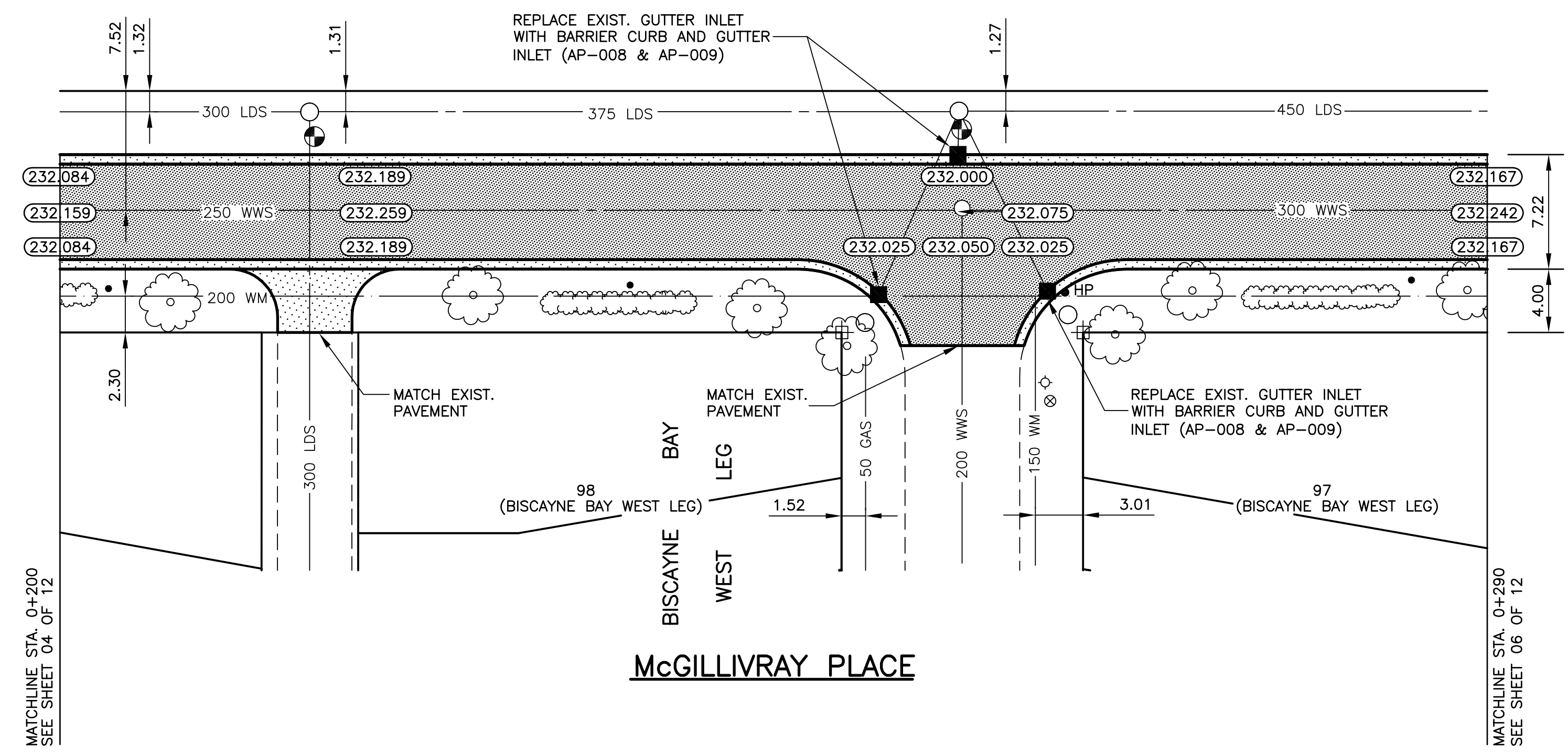
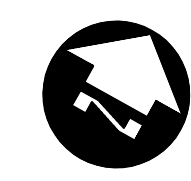


L = 245m W = 7.22m A = 1770m²
 TYPE - RECONSTRUCTION



- CONSTRUCTION NOTES:**
1. CONTRACTOR SHALL TAKE PRECAUTIONARY STEPS TO AVOID DAMAGE FROM CONSTRUCTION ACTIVITIES TO EXISTING BOULEVARDS AND TREES WITHIN THE LIMITS OF CONSTRUCTION.
 2. LOCATION OF EXISTING SERVICES ARE TO BE CONFIRMED IN THE FIELD BY THE CONTRACTOR.
 3. TIE-INS TO BE VERIFIED IN THE FIELD BY THE CONTRACT ADMINISTRATOR.
 4. BOULEVARD REPLACEMENT TO BE FINALIZED IN THE FIELD AS DIRECTED BY THE CONTRACT ADMINISTRATOR.
 5. 300mm SUB BASE TO BE ADDED WHERE OVER EXCAVATION IS REQUIRED AS DIRECTED IN THE FIELD BY THE CONTRACT ADMINISTRATOR.



METRIC
 WHOLE NUMBERS INDICATE MILLIMETRES
 DECIMALIZED NUMBERS INDICATE METRES

- WARNING**
- IF POWER EQUIPMENT OR EXPLOSIVES ARE TO BE USED FOR EXCAVATION ON THIS PROJECT THE CONTRACTOR MUST:
1. NOTIFY THE GAS COMPANY OF THE PROPOSED LOCATION OF EXCAVATION.
 2. TAKE PRECAUTION TO AVOID DAMAGE TO GAS COMPANY INSTALLATIONS SEE PROVINCIAL REGULATION 210/72 FOR DETAILS

150 mm W.M.	WATERMAIN	150 mm W.M.	HYDRO	150 mm W.M.	WATERMAIN	150 mm W.M.
Hydrant	HYDRANT	Hydrant	M.T.S.	Hydrant	HYDRANT	Hydrant
Valve	VALVE	Valve	CONCRETE	Valve	VALVE	Valve
300 mm L.D.S.	LAND DRAINAGE SEWER	300 mm L.D.S.	ASPHALT	300 mm L.D.S.	LAND DRAINAGE SEWER	300 mm L.D.S.
250 mm W.W.S.	WASTE WATER SEWER	250 mm W.W.S.	PLANING	250 mm W.W.S.	WASTE WATER SEWER	250 mm W.W.S.
Manhole	MANHOLE	Manhole	PAVING STONES	Manhole	MANHOLE	Manhole
Catch Basin	CATCH BASIN	Catch Basin	PARTIAL DEPTH REPAIR	Catch Basin	CATCH BASIN	Catch Basin
Curb Inlet	CURB INLET	Curb Inlet	PROPERTY LINE	Curb Inlet	CURB INLET	Curb Inlet
Junctions	JUNCTIONS	Junctions	SURVEY BAR	Junctions	JUNCTIONS	Junctions
Culvert	CULVERT	Culvert	PARAPLEGIC RAMP	Culvert	CULVERT	Culvert
Gas	GAS	Gas		Gas	GAS	Gas
EXISTING	LEGEND-PLAN	PROPOSED	EXISTING	LEGEND-PROFILE	PROPOSED	EXISTING

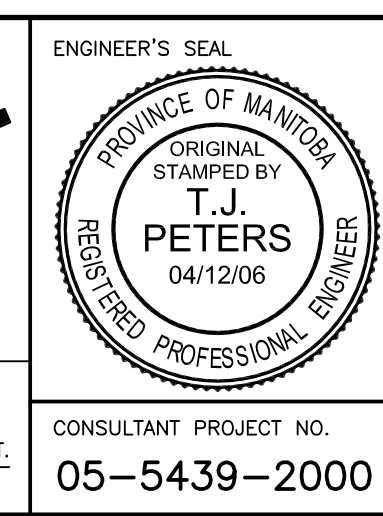
UNDERGROUND STRUCTURES

ORIGINAL SIGNED BY DERRICK A SAEDA 04/5/06
 SUPY. U/G STRUCTURES COMMITTEE DATE

NOTE:
 LOCATION OF UNDERGROUND STRUCTURES AS SHOWN ARE BASED ON THE BEST INFORMATION AVAILABLE. BUT NO GUARANTEE IS GIVEN THAT ALL EXISTING UTILITIES ARE SHOWN OR THAT THE GIVEN LOCATIONS ARE EXACT. CONFIRMATION OF EXISTENCE AND EXACT LOCATION OF ALL SERVICES MUST BE OBTAINED FROM THE INDIVIDUAL UTILITIES BEFORE PROCEEDING WITH CONSTRUCTION.

B.M. ELEV.	65-033	232.100
NO.	REVISIONS	DATE BY
2	ISSUED FOR TENDER	04/12/06 T.J.P.
1	ISSUED FOR REVIEW	01/31/06 T.J.P.

DESIGNED BY	T. PETERS
DRAWN BY	J. MORRIS
CHECKED BY	D. KRAHN
APPROVED BY	ORIGINAL SIGNED BY D. KRAHN, P.Eng.
HOR. SCALE	1:250
VERTICAL	1:10
RELEASED FOR CONSTRUCTION	ORIGINAL SIGNED BY KEN TURKO, C.E.T.
DATE	APRIL 12, 2006



THE CITY OF WINNIPEG
 PUBLIC WORKS DEPARTMENT

2006 RESIDENTIAL STREET RENEWAL PROGRAM

McGILLIVRAY PLACE

VINCENT ST. TO BISCAYNE BAY (E. LEG)
 STA. 0+200 TO STA. 0+290

CITY DRAWING NUMBER
 SHEET 05 OF 12

CONSULTANT PROJECT NO.
 05-5439-2000