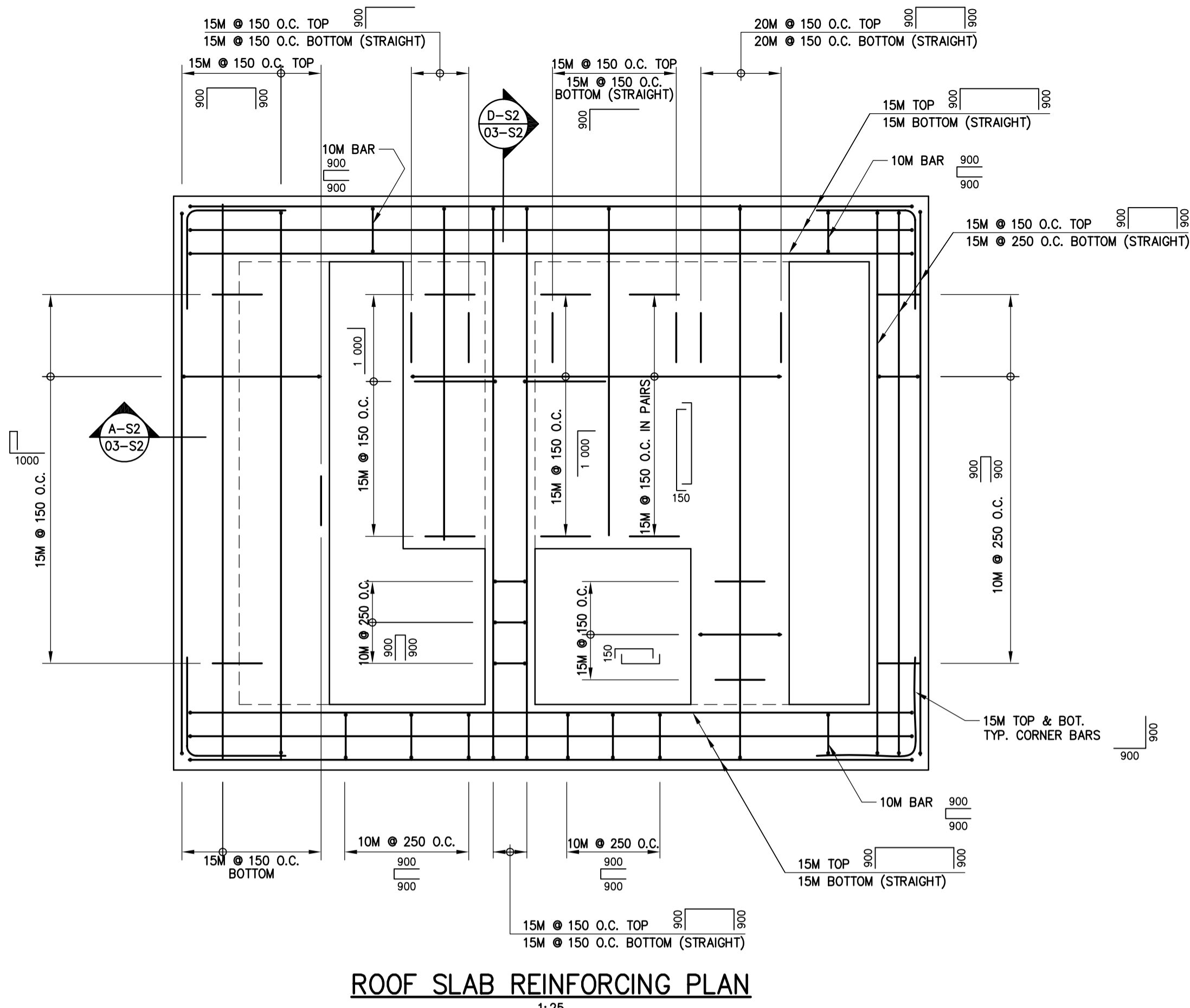
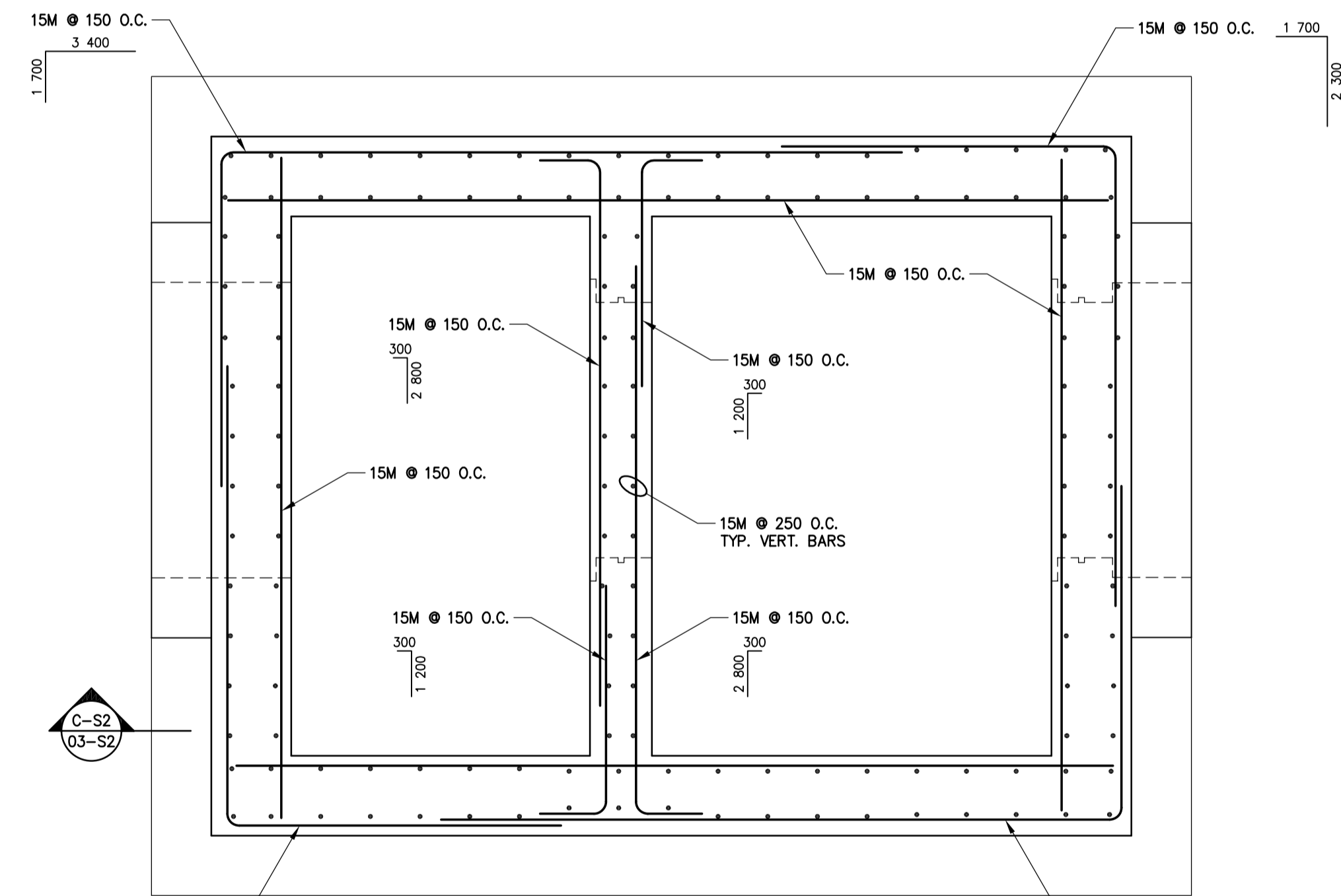


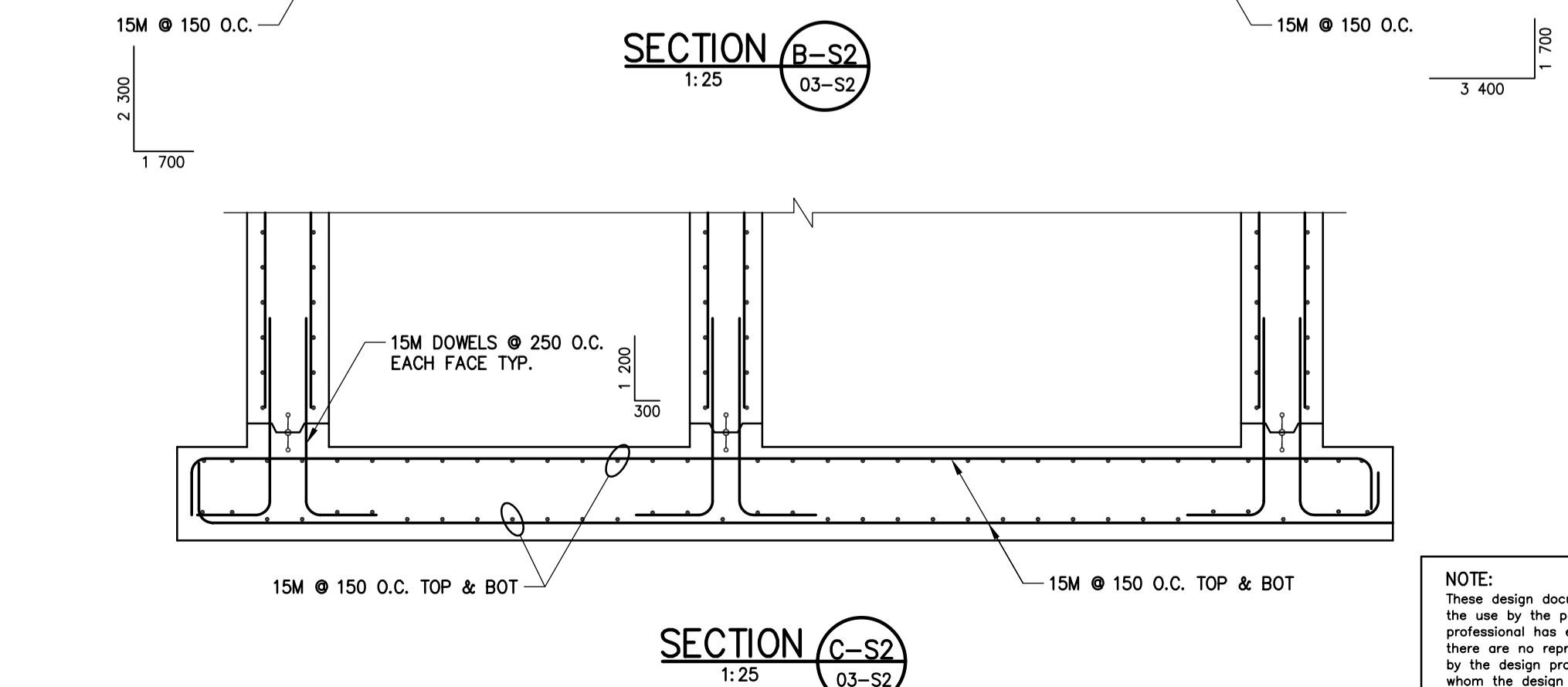
Jul 31, 2008 - 10:25am - P: 41700 - 41799\1721_2008 Outfall Gate Chamber Upgrades\WOLEA Drawings\Falconer - S1 Conc & S2 Rein.dwg - tibi\Falconer - Reinforcing



ROOF SLAB REINFORCING PLAN
1:25



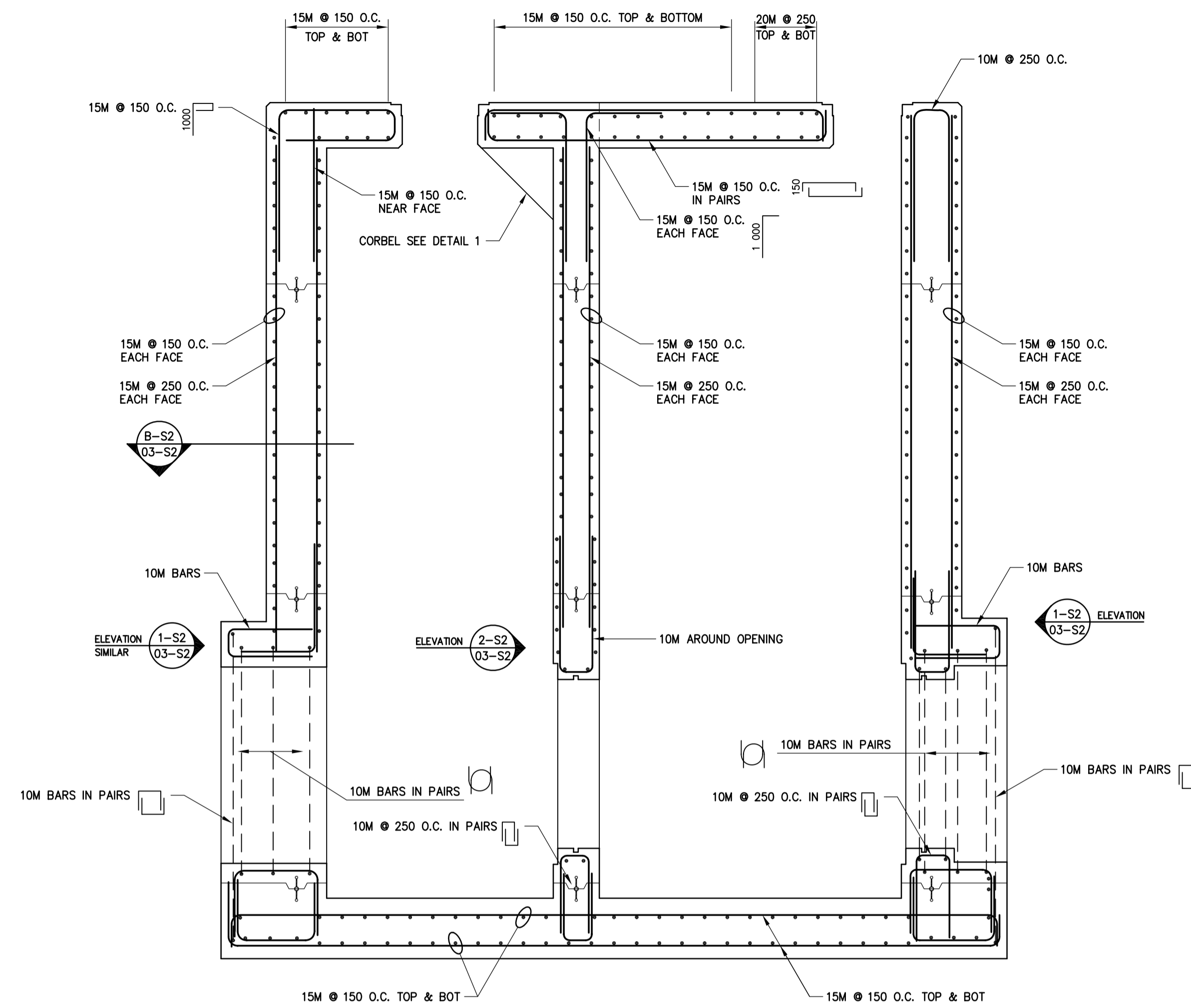
SECTION B-S2
1:25



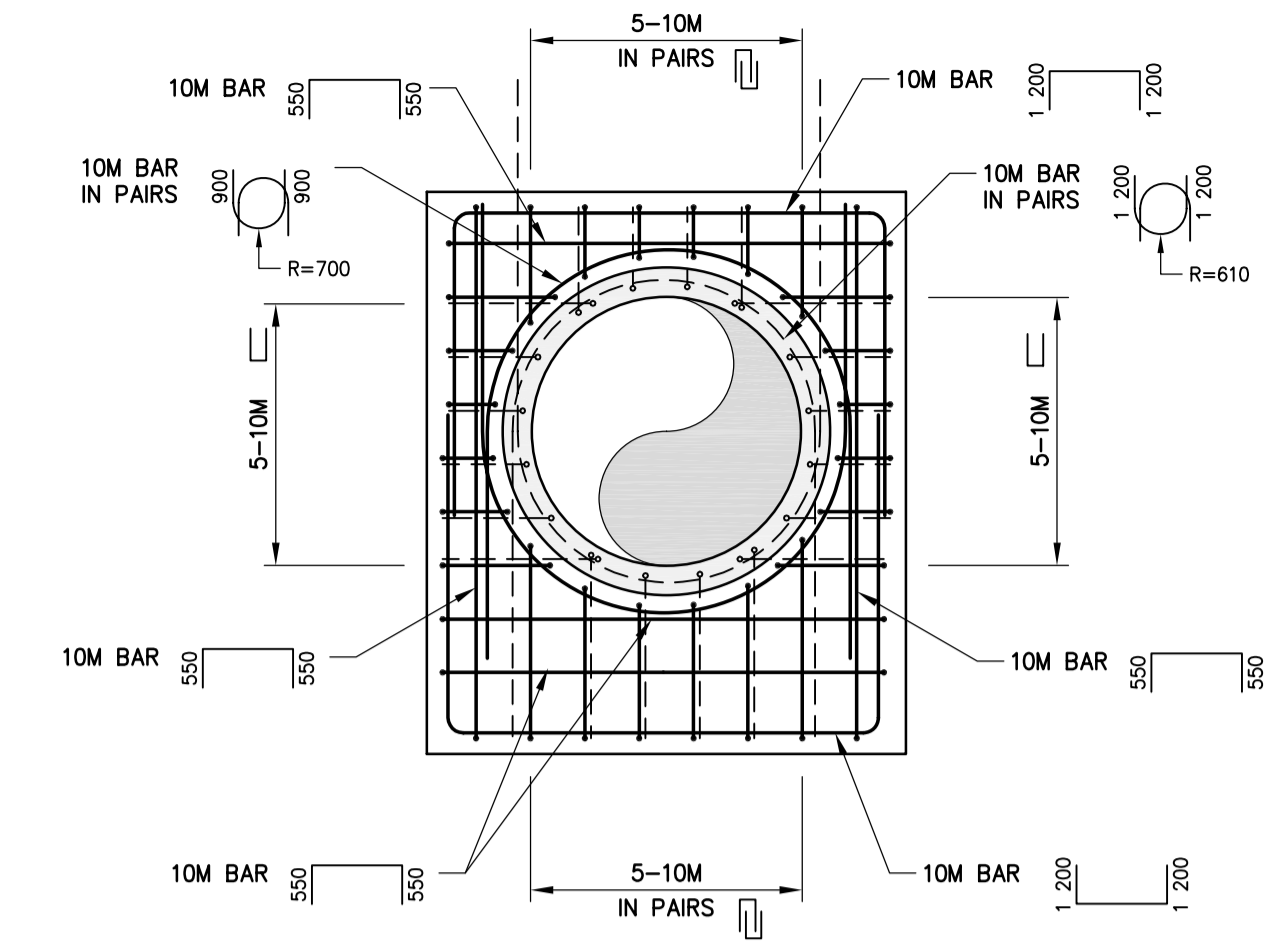
SECTION C-S2
1:25

NOTE:
These design documents are prepared solely for the use by the party with whom the design professional has entered into a contract and there are no representations of any kind made by the design professional to any party with whom the design professional has not entered into a contract.

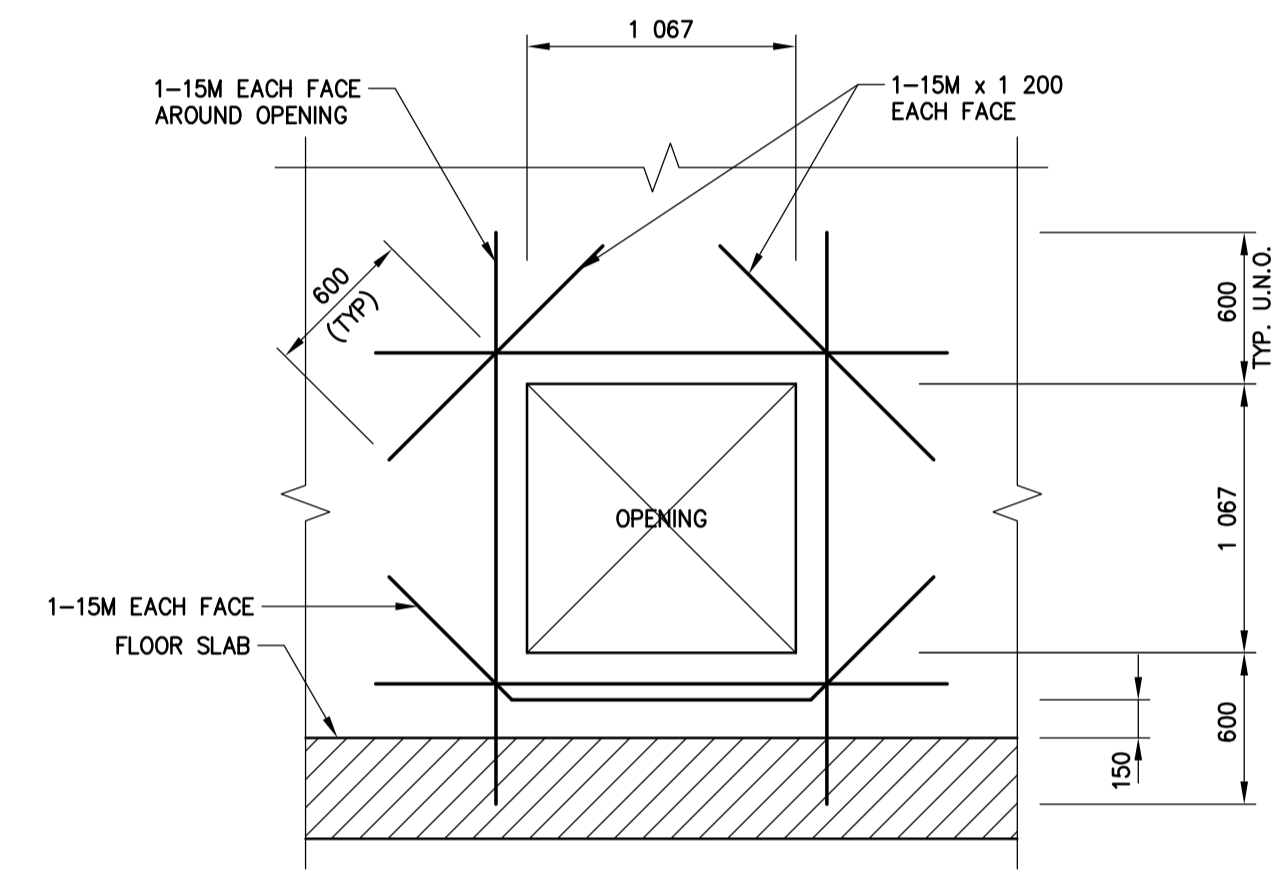
APEGM
Certificate of Authorization
ND LEA Inc.
No. 2728 Expiry: April 30, 2007



SECTION A-S2
(THROUGH C OF PIPE)
1:25

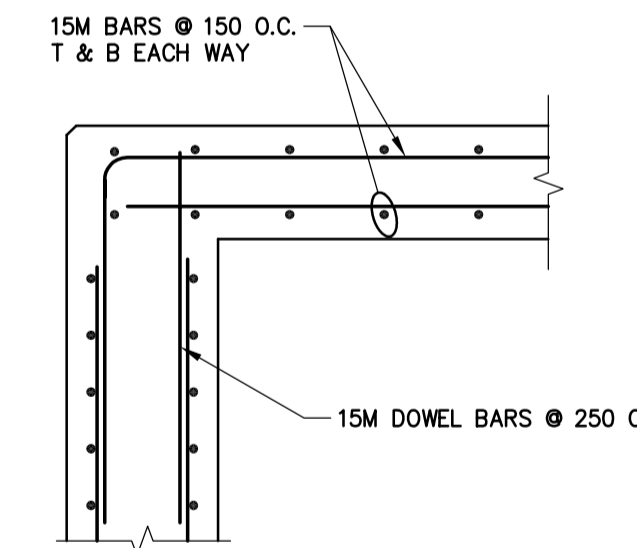


ELEVATION 1-S2
1:30

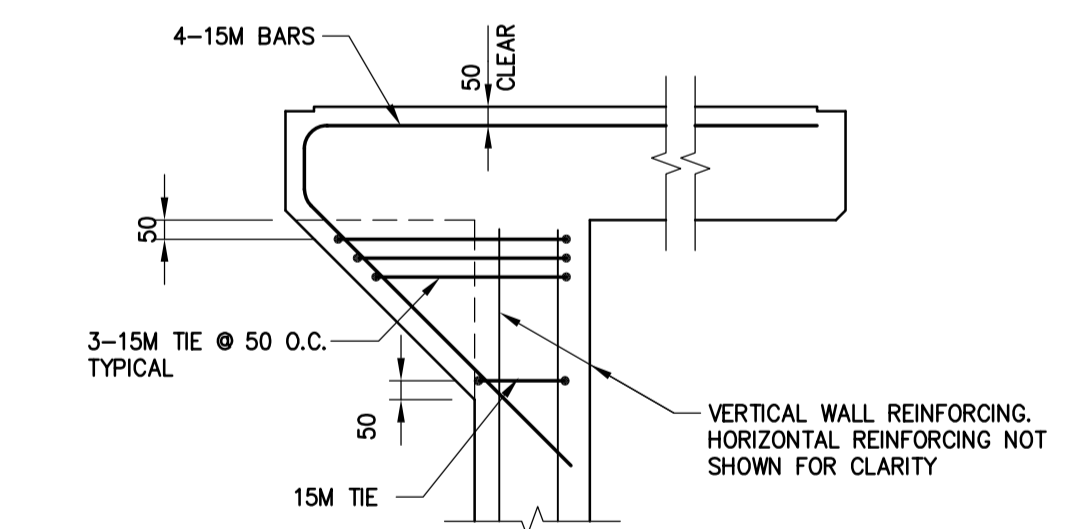


ELEVATION 2-S2
1:30

NOTE: WALL AND SLAB REINFORCING NOT SHOWN FOR CLARITY

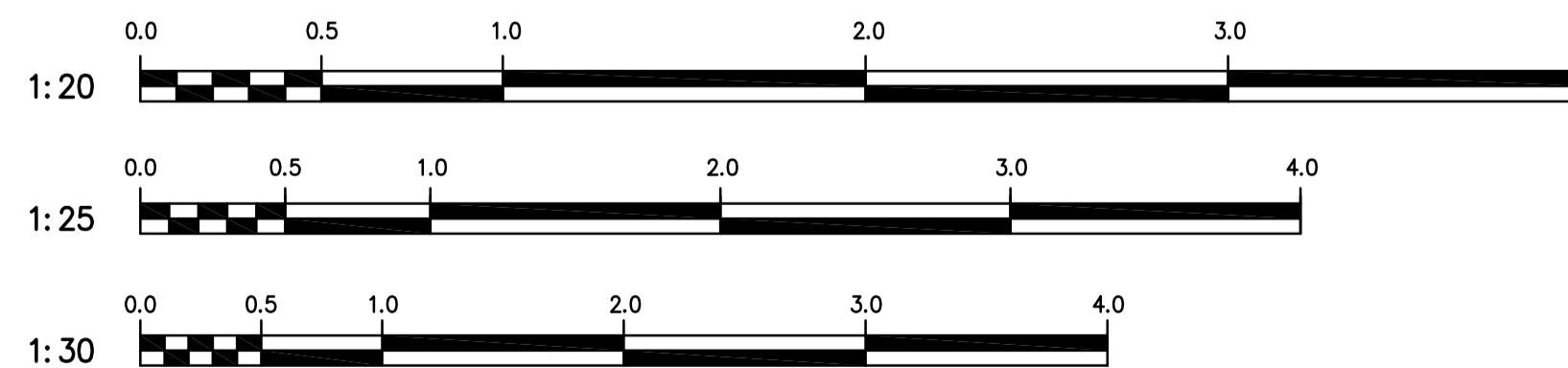


SECTION D-S2
1:20



DETAIL 1-S2
1:20

NOTE: ROOF SLAB REINFORCING NOT SHOWN FOR CLARITY



A-B
C

A = DETAIL/SECTION No.
B = DRAWING WHERE SHOWN
C = DRAWING WHERE TAKEN

METRIC
WHOLE NUMBERS INDICATE MILLIMETRES
DECIMALIZED NUMBERS INDICATE METRES

| | | | |
|---|-----------|---------------------------|-----|
| NDLEA Suite 111-03 Lombard Avenue, Winnipeg, Manitoba R3B 3B1 Ph. 204-943-3178 Fax. 204-943-4948 | | ENGINEER'S SEAL | |
| DESIGNED BY | MH | CHECKED BY | JPL |
| DRAWN BY | CDP, RCS | APPROVED BY | - |
| HOR. SCALE | AS SHOWN | RELEASED FOR CONSTRUCTION | |
| VERTICAL | | | |
| NO. | REVISIONS | DATE | BY |
| 1 | - | - | - |
| NO. | REVISIONS | DATE | BY |

BID OPPORTUNITY 505-2006
PLOT DATE: 06 07 27

THE CITY OF WINNIPEG
WATER AND WASTE DEPARTMENT
Winnipeg

2003 OUTFALL GATE CHAMBER UPGRADES
FALCONER BAY
LDS OUTFALL GATE CHAMBER
REINFORCING DETAILS

CONSULTANT DRAWING NUMBER
41721-03-S2
SHEET 3 OF 12
CITY DRAWING NUMBER
LD-3181