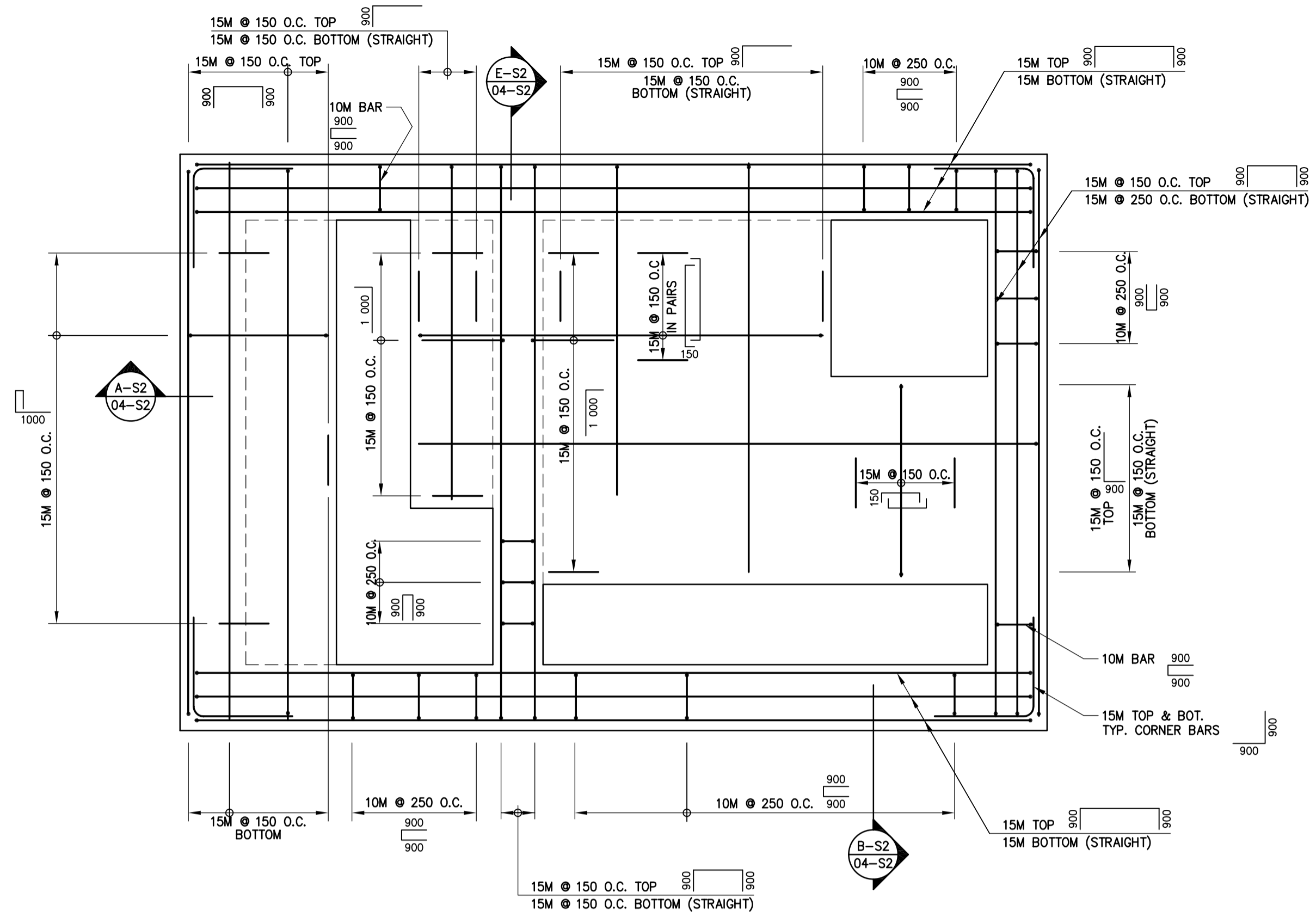
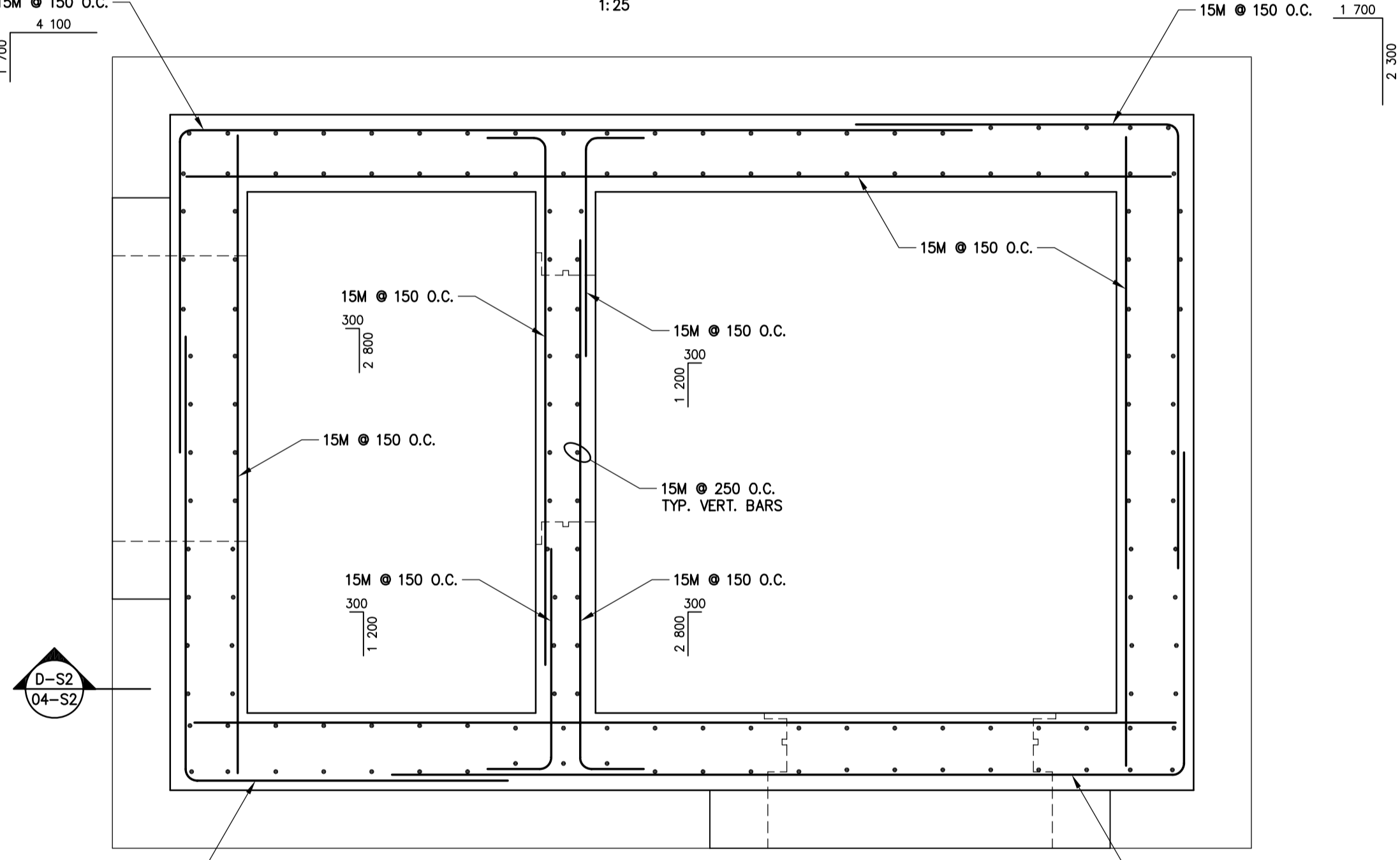


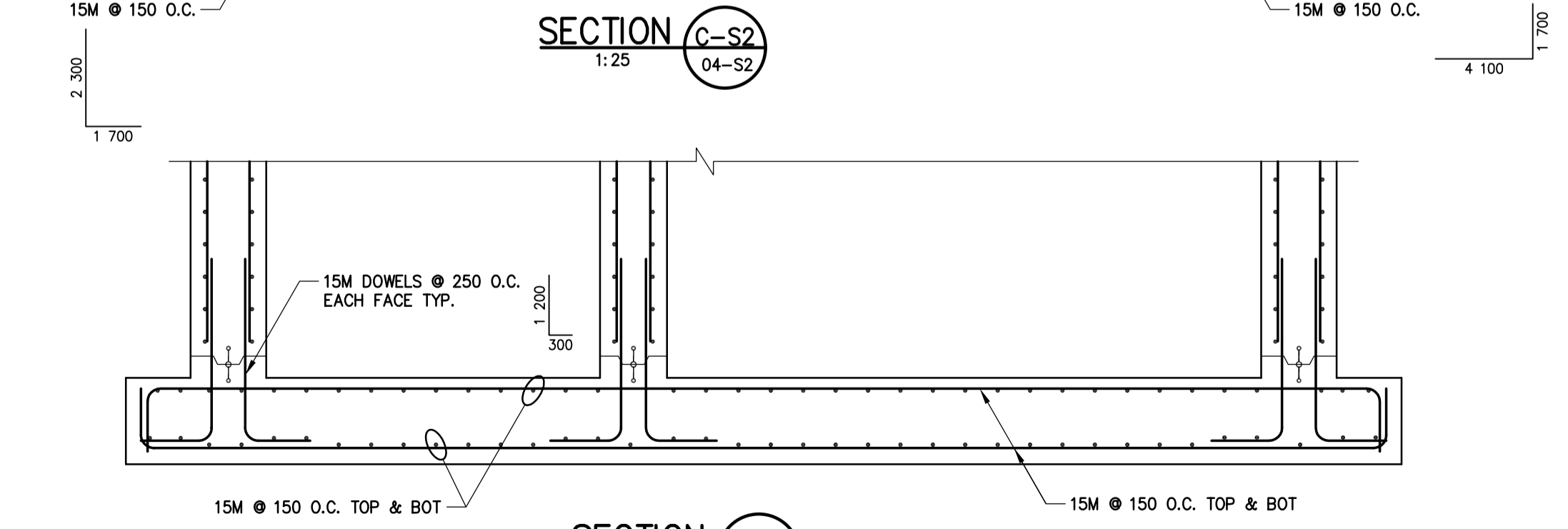
Jul 31, 2008 - 10:17am  
 P: 41700 - 41799/41721\_2008 Outfall Gate Chamber Upgrades/NOLEA Drawings/Blackmore/41479 06 Blackmore - S1 Conc & SZ Rein/eng -tab:Blackmore - Reinforcing



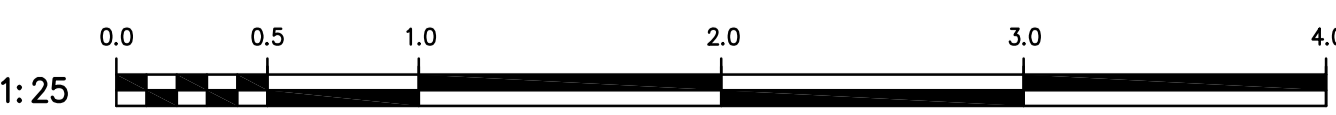
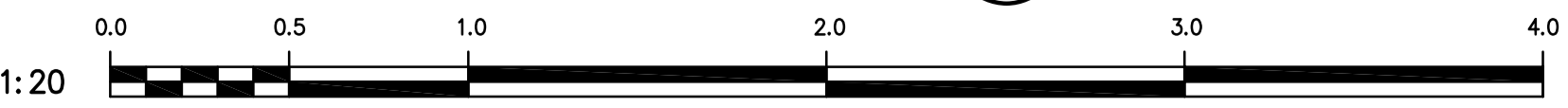
**ROOF SLAB REINFORCING PLAN**  
 1:25



**SECTION C-S2**  
 1:25



**SECTION D-S2**  
 1:25

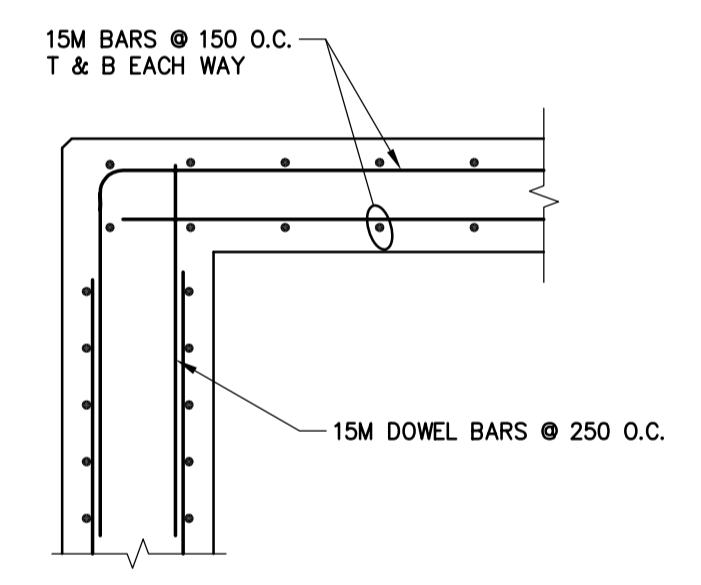


A-B  
 C

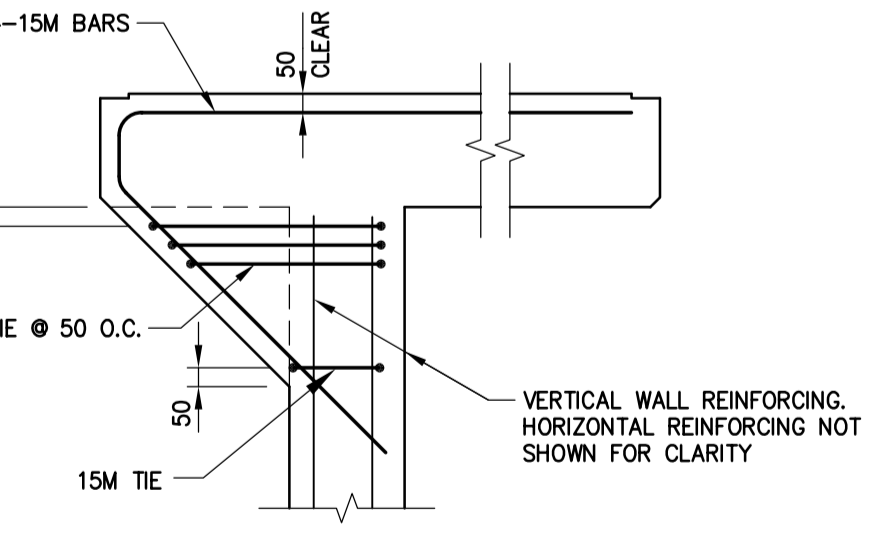
A = DETAIL/SECTION No.  
 B = DRAWING WHERE SHOWN  
 C = DRAWING WHERE TAKEN

**NOTE:**  
 These design documents are prepared solely for the use by the party with whom the design professional has entered into a contract and there are no representations of any kind made by the design professional to any party with whom the design professional has not entered into a contract.

**APEGM**  
 Certificate of Authorization  
 ND LEA Inc.  
 No. 2728 Expiry: April 30, 2007

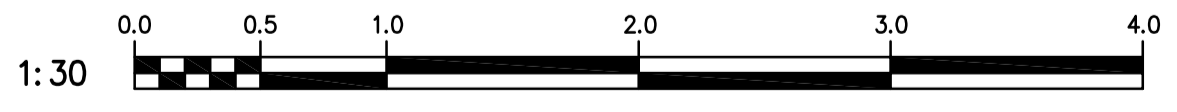


**SECTION F-S2**  
 1:20



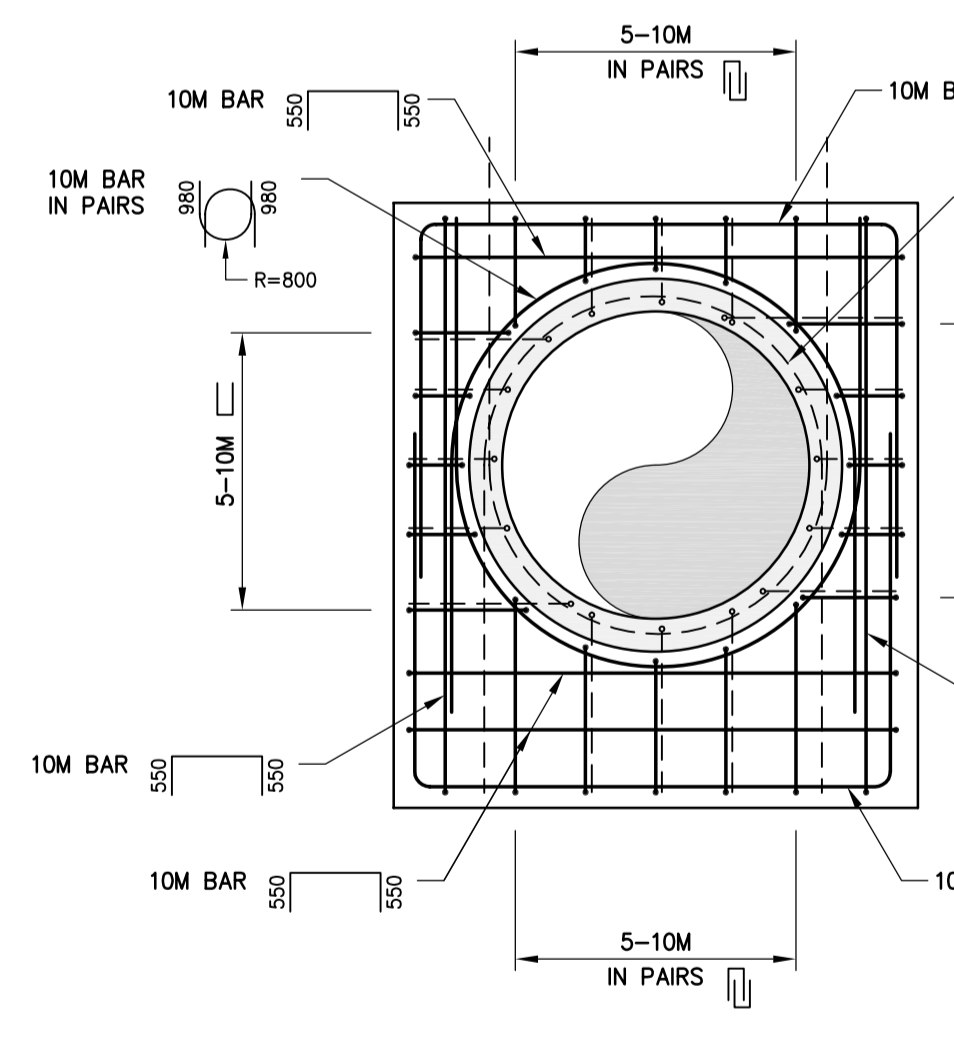
**DETAIL 1-S2**  
 1:20

**NOTE:** ROOF SLAB REINFORCING NOT SHOWN FOR CLARITY

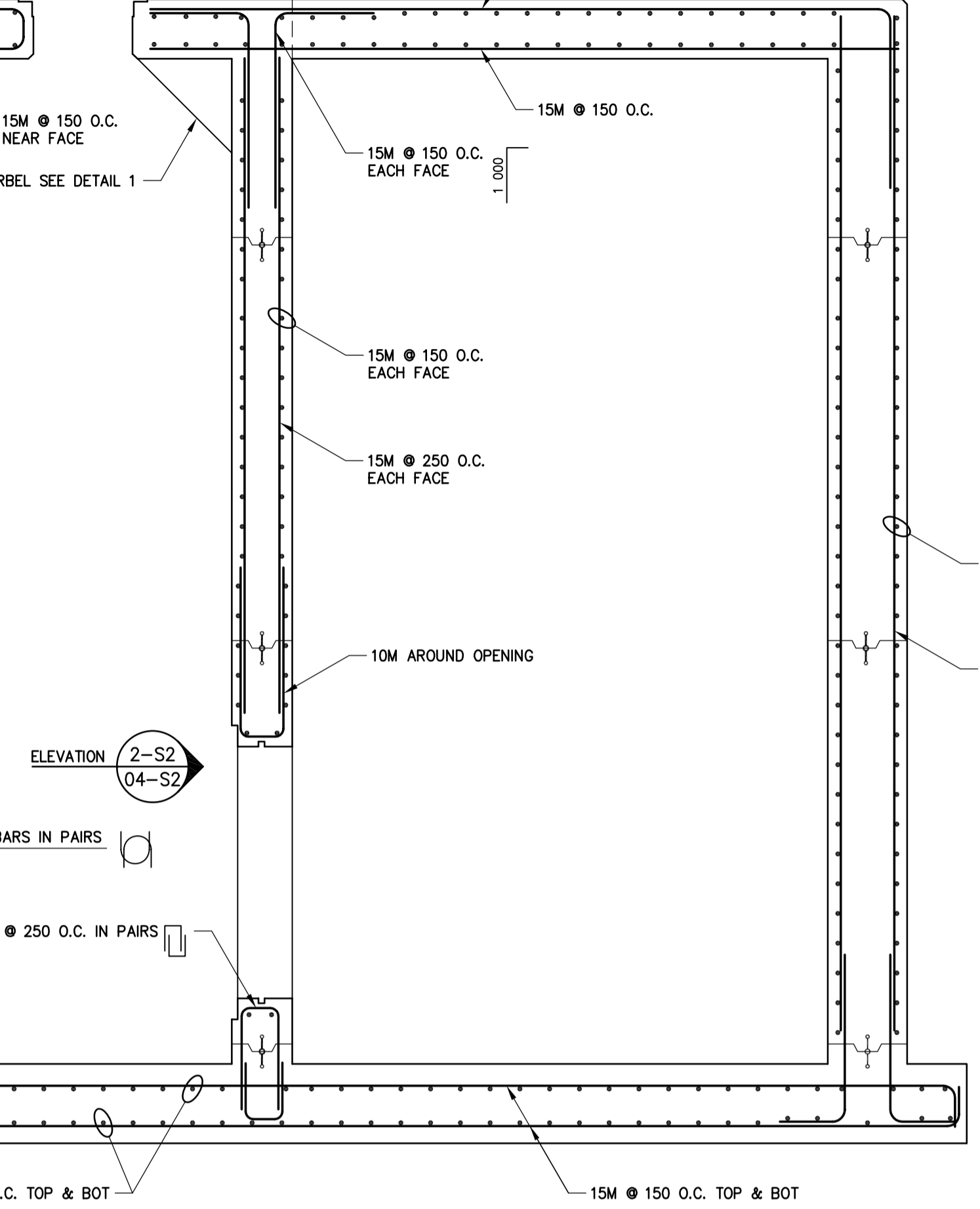


NO.	REVISIONS	DATE	BY	DATE
1	-	-	-	-

**SECTION A-S2**  
 (THROUGH C OF PIPE)  
 1:25

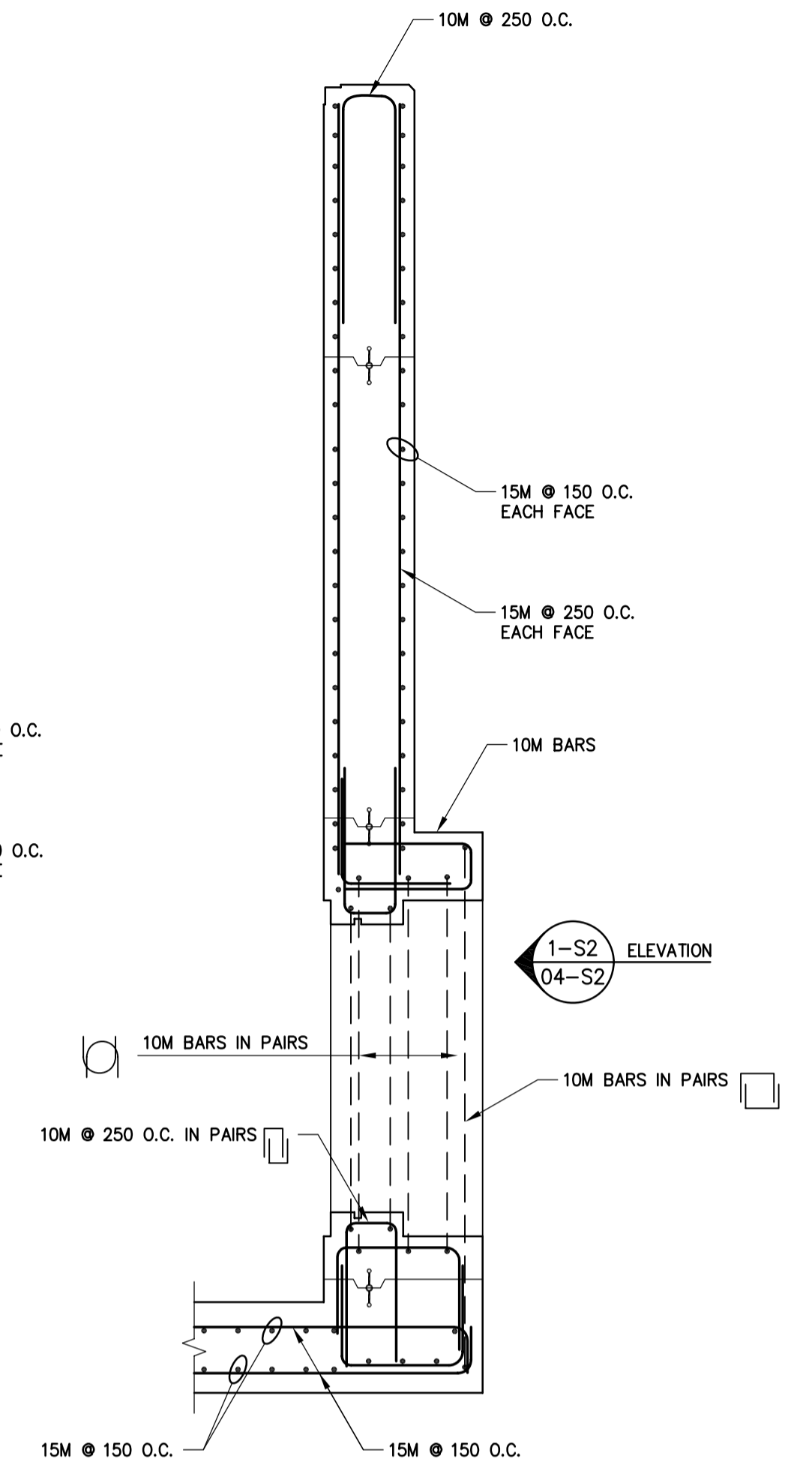


**ELEVATION 1-S2**  
 1:30

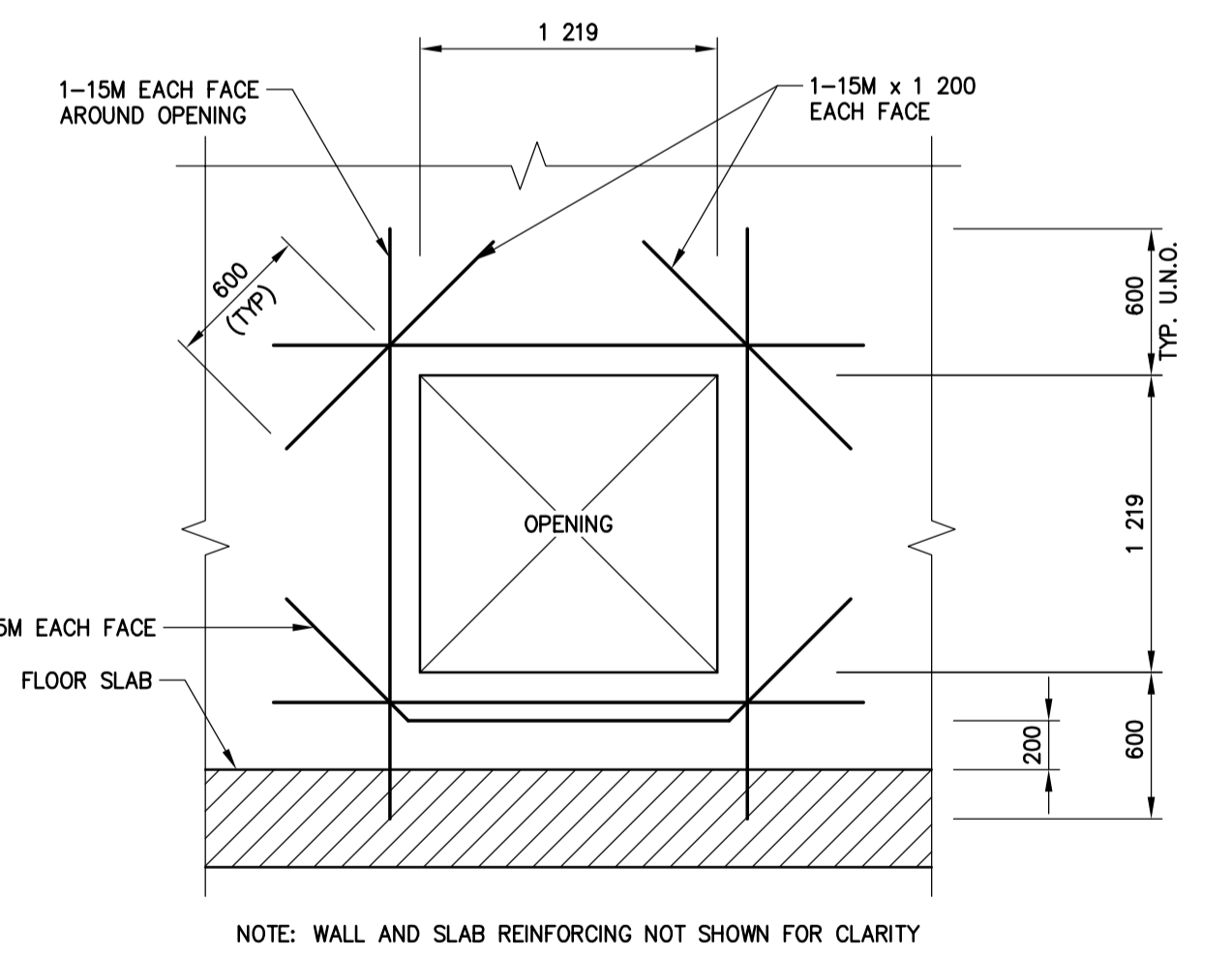


**ELEVATION 2-S2**  
 04-S2

**SECTION B-S2**  
 (THROUGH C OF PIPE)  
 1:25



**ELEVATION 1-S2**  
 04-S2



**ELEVATION 2-S2**  
 1:30

**NOTE:** WALL AND SLAB REINFORCING NOT SHOWN FOR CLARITY

**METRIC**  
 WHOLE NUMBERS INDICATE MILLIMETRES  
 DECIMALIZED NUMBERS INDICATE METRES

**NOLEA**  
 Suite 111-03 Lombard Avenue, Winnipeg, Manitoba R3B 3B1  
 Ph. 204-943-3178 Fax. 204-943-4948

DESIGNED BY	MH	CHECKED BY	JPL
DRAWN BY	CDP, RCS	APPROVED BY	-
HOR. SCALE	AS SHOWN	RELEASED FOR CONSTRUCTION	-

ENGINEER'S SEAL  
**HATCH**  
 REGISTERED PROFESSIONAL ENGINEER

**THE CITY OF WINNIPEG**  
 WATER AND WASTE DEPARTMENT  
**Winnipeg**

2006 OUTFALL GATE CHAMBER UPGRADES  
 BLACKMORE AVENUE  
 LDS OUTFALL GATE CHAMBER  
 REINFORCING DETAILS

CONSULTANT DRAWING NUMBER  
 41721-04-S2  
 SHEET 7 OF 12  
 CITY DRAWING NUMBER  
 LD-3184

BID OPPORTUNITY 505-2006  
 PLOT DATE: 06 07 27