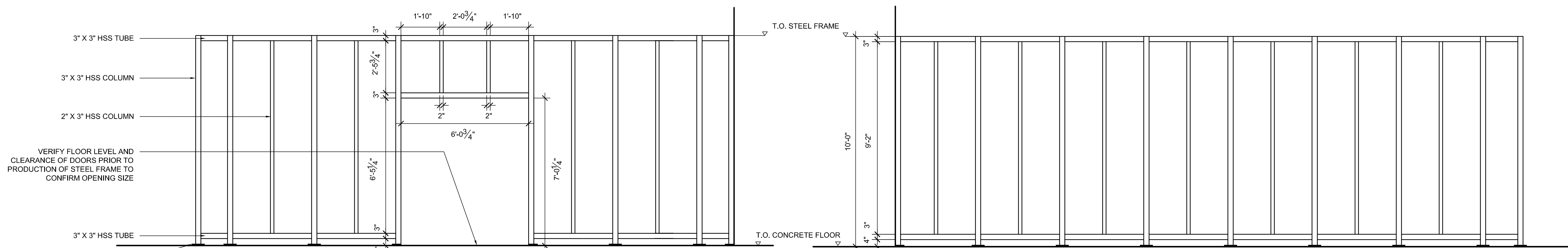
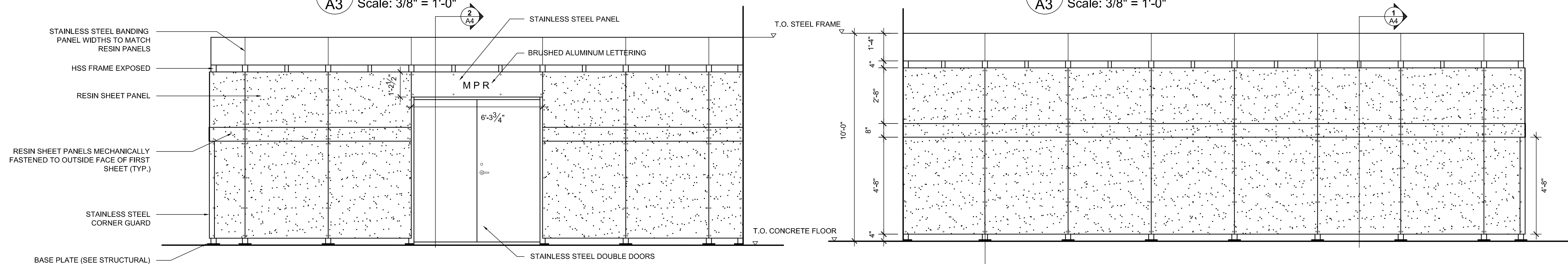


This drawing shall not be scaled. Follow given dimensions only.



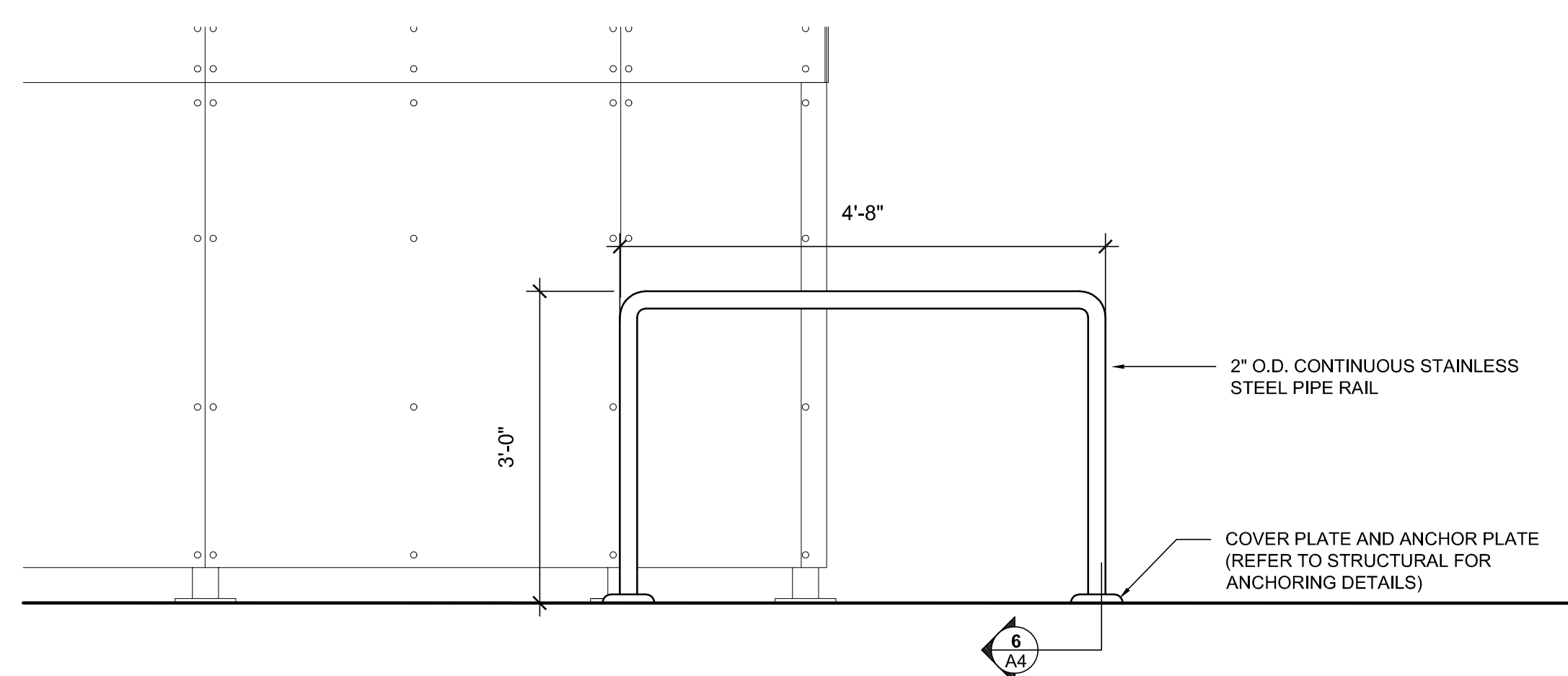
1 MPR South Frame Elevation
 A3 Scale: 3/8" = 1'-0"

2 MPR East Frame Elevation
 A3 Scale: 3/8" = 1'-0"



3 MPR South Finished Elevation
 A3 Scale: 3/8" = 1'-0"

4 MPR East Finished Elevation
 A3 Scale: 3/8" = 1'-0"



5 Railing Elevation
 A3 Scale: 3/4" = 1'-0"

ISSUED FOR

Tender August 14, 2006

SEAL

ARCHITECT / PRIME CONSULTANT
SYNYSHYN ARCHITECTURE ARCHITECTURE
 ARCHITECTURE PLANNING
 INTERIOR DESIGN
 INTERIOR DESIGN
 FACILITY MANAGEMENT
 PRESENTATIONS
 603-63 ALBERT STREET WINNIPEG MANITOBA CANADA R3B 1G4
 TELEPHONE 947-1100 FACSIMILE 956-5742

ENGINEERING CONSULTANT
UNA STRUCTURAL ENGINEERS
 Laverne Draward & Associates Inc.
 402-138 Portage Avenue East
 Winnipeg, MB R2P 0A1
 Tel: 204 947 2222 Fax: 204 947 2522
 E: mlaverne@unae.com

ENGINEERING CONSULTANT

**CITY OF WINNIPEG
 BID OPPORTUNITY # 512-2006**

PROJECT TITLE

**PAN AM POOL
 INTERIOR RENOVATION**

25 POSEIDON BAY
 WINNIPEG, MB

DRAWING TITLE

ELEVATIONS

DESIGNED BY JS/AD DRAWN BY AD

ISSUE DATE 08/14/06 REVISION No.

PROJECT No. 610 DRAWING No. **A-3**