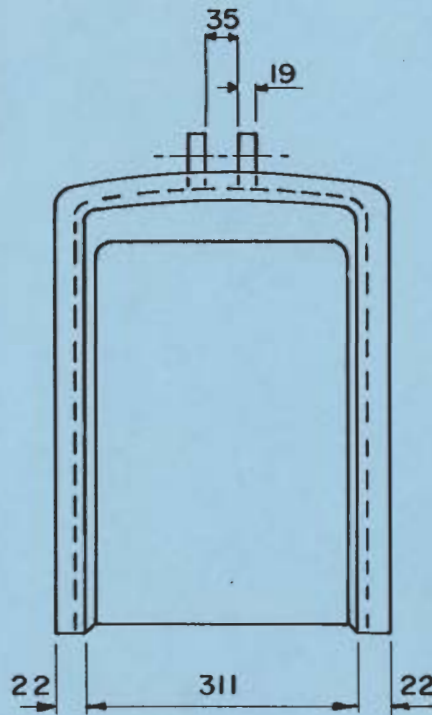
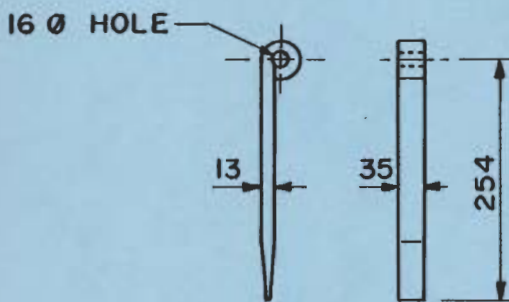


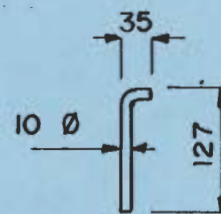
SECTION A-A



A



HINGE



HINGE PIN

DIMENSIONS IN MILLIMETRES

The City Of Winnipeg
Works & Operations Division

Reference Spec. No. CW2131
CW3205

CATCHBASIN HOOD

Designed By:

GFN

Drawn By:

EN

Scale:

NTS

Checked By:

RAS

Date:

MARCH 1986

Drawing No.

Approved

R. A. Srochowski

SD - 110