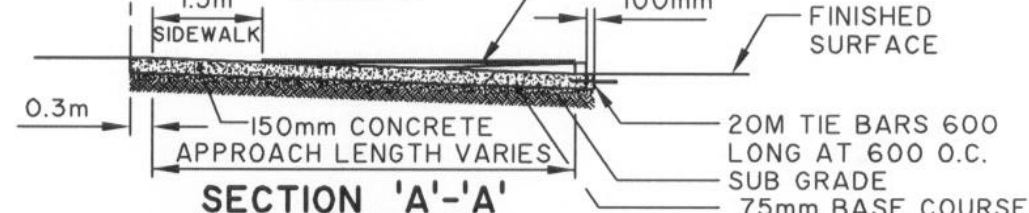


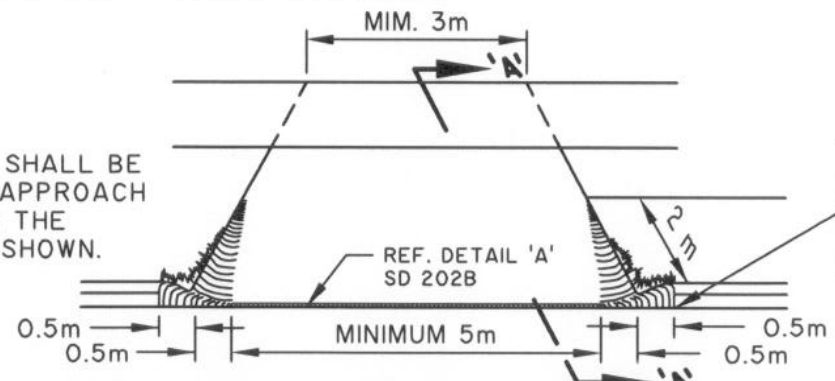
PLAN



SECTION 'A'-A'

LONGITUDINAL SECTION THROUGH A TYPICAL PRIVATE APPROACH WITH A SIDEWALK CROSSING

NOTE: EXISTING SIDEWALK SHALL BE REMOVED AND THE APPROACH EXTENDED BACK TO THE PROPERTY LINE AS SHOWN.



NOTE: FRONT EDGE OF CURBING TO BE ROLLED OFF GENTLY AS SHOWN.

FRONTAL PERSPECTIVE OF FINISHED PRIVATE APPROACH



THE CITY OF WINNIPEG
PUBLIC WORKS DEPARTMENT

Reference Spec. No.
CW 3230, CW3240, CW 3310

Revisions			
No.	Date	Description	By
1.	03/01	GENERAL REVISION	lwb

RESIDENTIAL APPROACH-CONCRETE
(WITH EXISTING BARRIER CURB)

Designed By: B.P.	Drawn By: A.R.	Scale : N.T.S.
Checked By: D.R.K.	Date: 03-01-28	Drawing No. SD-235
Approved: SURFACE WORKS COMMITTEE		