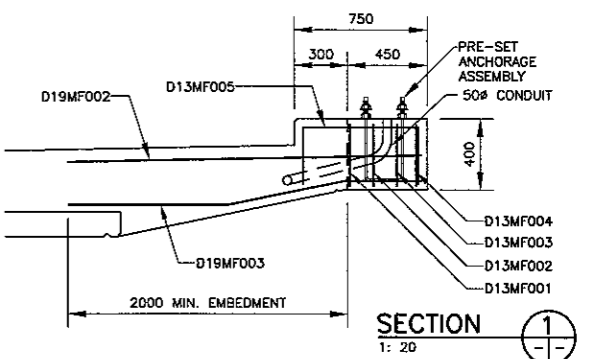
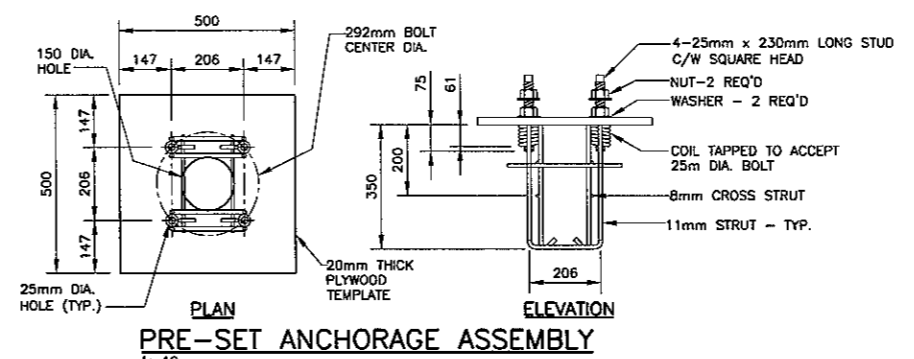


LAP SPLICES (GFRP BARS)

BAR SIZE	LENGTH
10MF	450 mm
13MF	500 mm
16MF	550 mm
19MF	650 mm
25MF	800 mm

NOTES:

- 25MF ETC. INDICATES GFRP REINFORCING BARS METRIC SIZE (DIA. IN mm)
- ALL OTHER REINFORCING BARS ARE MICROCOMPOSITE REINFORCING STEEL (MMFX-2)



DESIGNED BY A.S.D.	ENGINEER'S SEAL PROVINCE OF MANITOBA S.S. RIHAL REGISTERED PROFESSIONAL ENGINEER
DRAWN BY G.C.L.	ENGINEER'S SEAL PROVINCE OF MANITOBA Jan 27/06 A.S. DERAJ REGISTERED PROFESSIONAL ENGINEER
CHECKED BY R.A.W.	
REVIEWED BY S.S.R.	
ISSUED FOR TENDER 12/22/05 N.B.G.	CONSULTANT PROJECT NO. 05-5069-1000
ISSUED FOR CITY REVIEW 12/14/05 N.B.G.	
NO. REVISIONS	DATE BY
2	12/22/05 N.B.G.
1	12/14/05 N.B.G.
	DATE DEC. 2005

THE CITY OF WINNIPEG
PUBLIC WORKS DEPARTMENT

Winnipeg

MARYLAND TWIN BRIDGES REHABILITATION PROJECT
EAST BRIDGE REHABILITATION

REHABILITATED BRIDGE DECK REINFORCING

CITY DRAWING NUMBER
B108-06-16
SHEET 16 OF 38