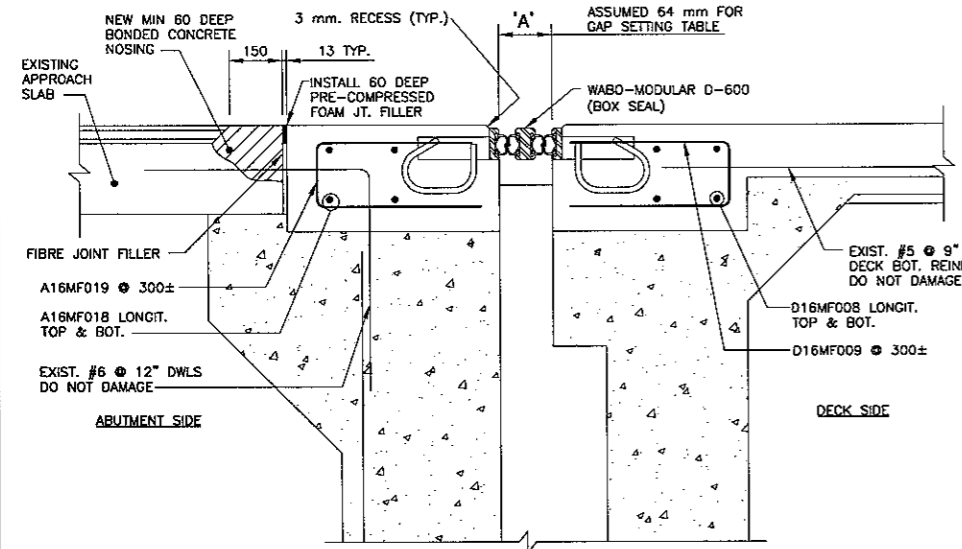


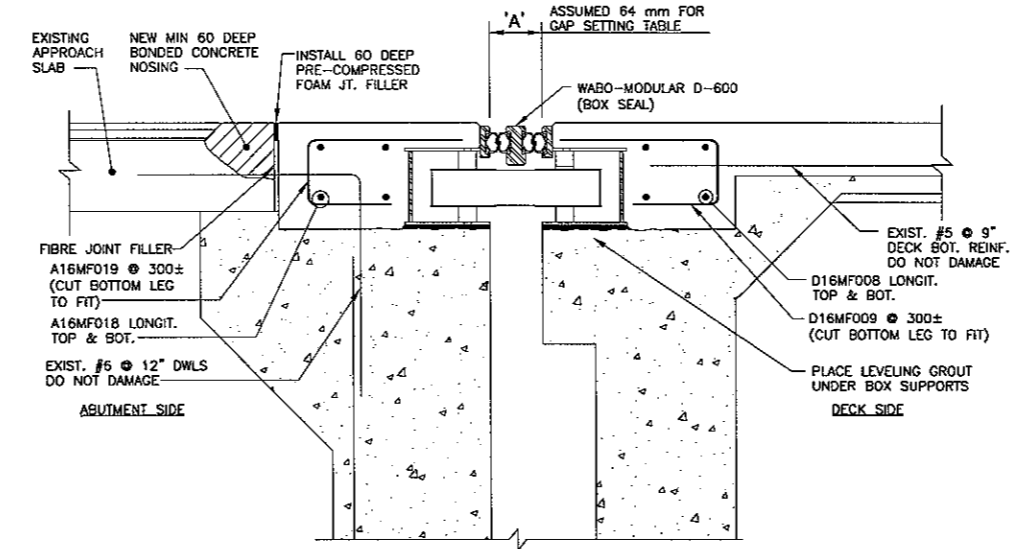
EXPANSION UNIT MK. E-6
1: 25



PROPOSED REPLACEMENT SECTION 1

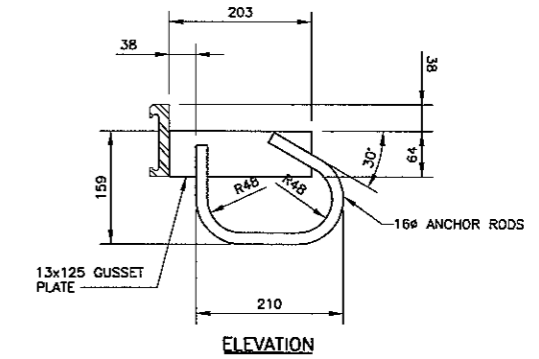
1: 10 16,19,20 20

NOTE: FOR EXISTING CONC. REMOVAL SEE SHEET NO. 19



PROPOSED REPLACEMENT SECTION 2

1: 10 16,19,20 20



TYPICAL ANCHOR DETAIL ELEVATION 1: 5

GAP SETTING TABLE (DIMENSION "A")													
STRUCTURE TEMP (°C)	-30	-25	-20	-15	-10	-5	0	5	10	15	20	25	30
DIM "A"	184	181	177	174	171	167	164	161	157	154	151	147	144

DESIGNED BY	R.A.W.
DRAWN BY	N.B.G.
CHECKED BY	R.A.W.
REVIEWED BY	S.S.R.
HOR. SCALE	AS NOTED
VERTICAL	AS NOTED
NO. REVISIONS	DATE BY
2	ISSUED FOR TENDER 10/12/06 N.B.G.
1	ISSUED FOR CITY REVIEW 12/14/06 N.B.G.
NO. REVISIONS	DATE BY

DILLON CONSULTING

ENGINEER'S SEAL: R.A. WIEBE, PROFESSIONAL ENGINEER

ENGINEER'S SEAL: S.S. RIHAL, PROFESSIONAL ENGINEER

CONSULTANT PROJECT NO. 05-5069-1000

THE CITY OF WINNIPEG PUBLIC WORKS DEPARTMENT

Winnipeg

MARYLAND TWIN BRIDGES REHABILITATION PROJECT EAST BRIDGE REHABILITATION

CITY DRAWING NUMBER B108-06-20 SHEET 20 OF 38

NORTH ABUTMENT EXPANSION JOINT LAYOUT