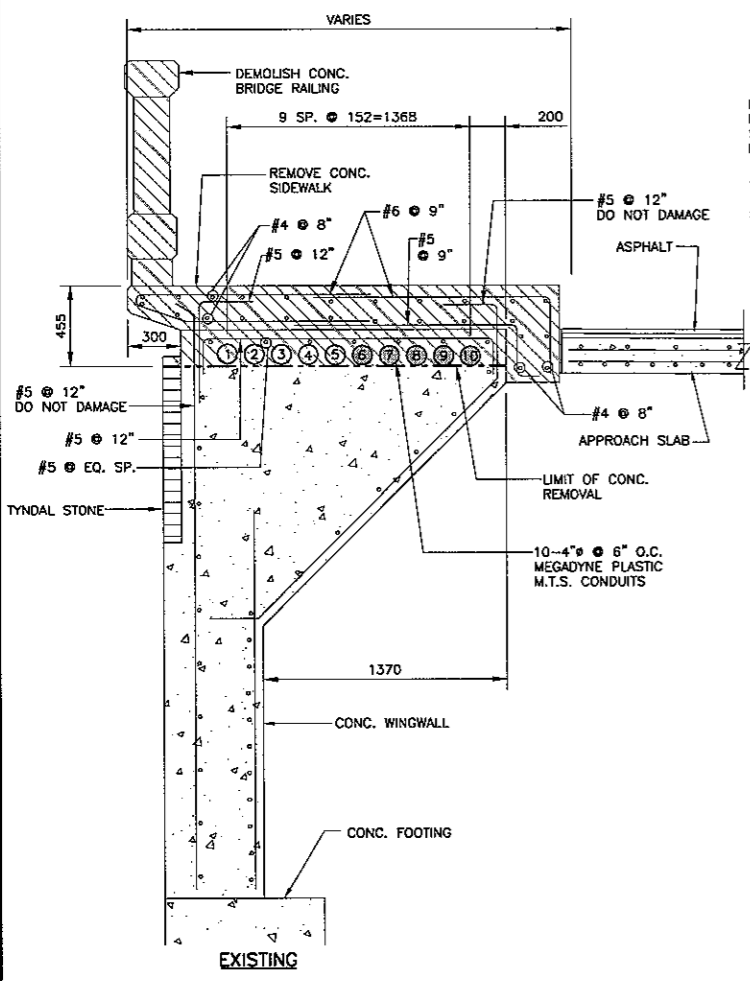
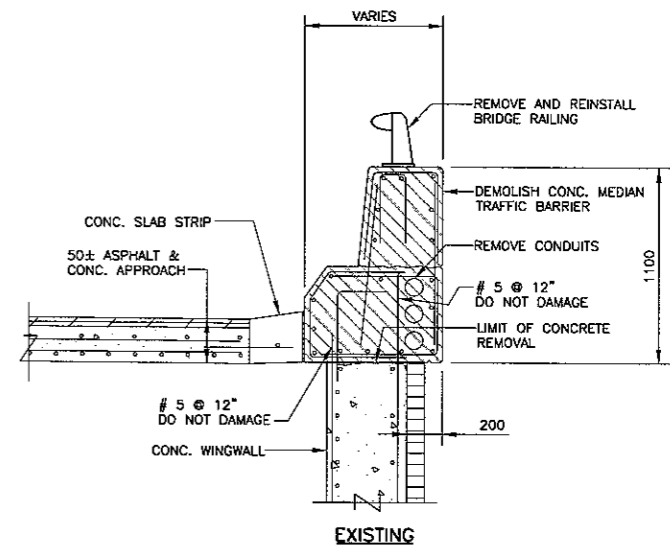
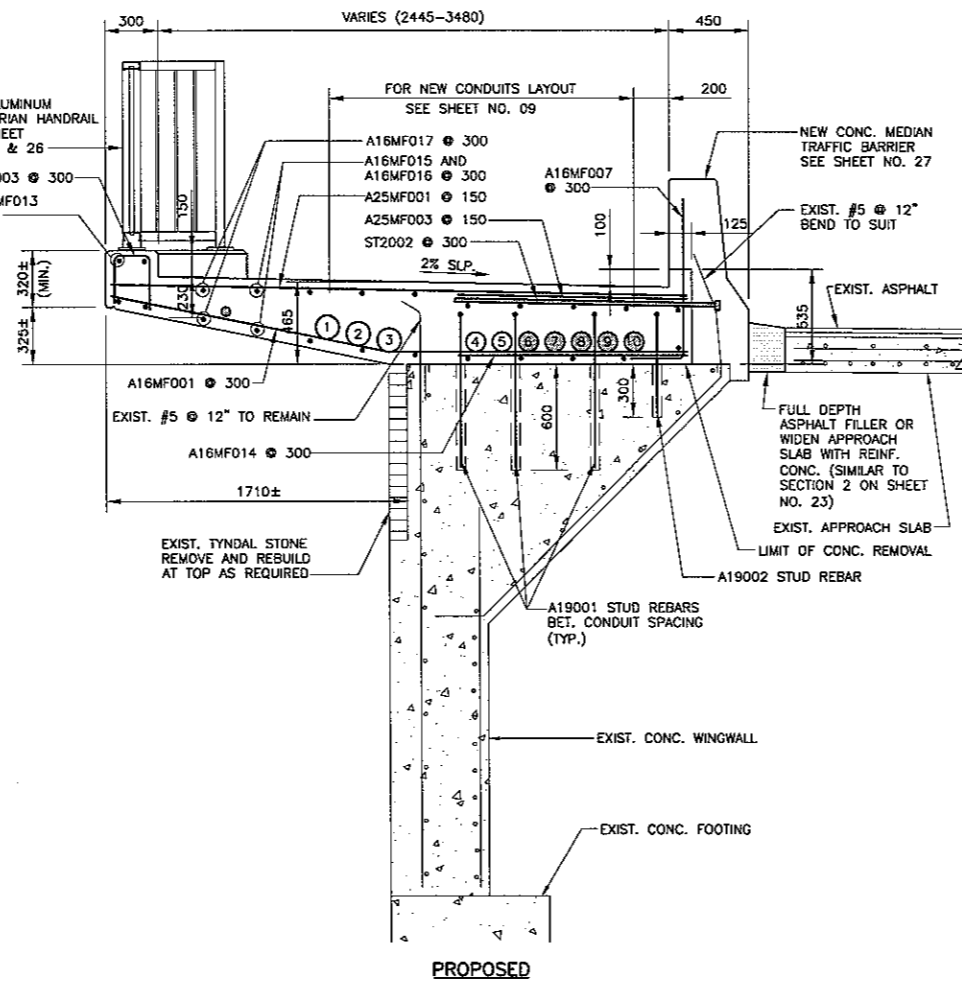


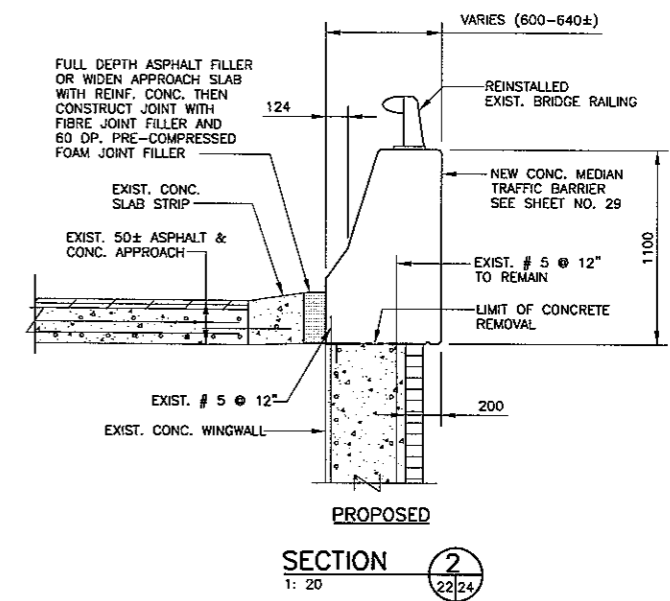
NORTH END SIDEWALK ELEVATION
1: 50 (LOOKING WEST)



SECTION 1
1: 20



PROPOSED



SECTION 2
1: 20

DESIGNED BY: A.S.D. DRAWN BY: N.B.G. CHECKED BY: R.A.W. REVIEWED BY: S.S.R.		ENGINEER'S SEAL: S.S. RIHAL PROVINCE OF MANITOBA REGISTERED PROFESSIONAL ENGINEER		ENGINEER'S SEAL: A.S. DERAJ PROVINCE OF MANITOBA REGISTERED PROFESSIONAL ENGINEER		THE CITY OF WINNIPEG PUBLIC WORKS DEPARTMENT MARYLAND TWIN BRIDGES REHABILITATION PROJECT EAST BRIDGE REHABILITATION		CITY DRAWING NUMBER: B108-06-24 SHEET: 24 OF 38
2 ISSUED FOR TENDER: 02/22/06 N.B.G. 1 ISSUED FOR CITY REVIEW: 12/14/05 N.B.G.		HOR. SCALE: AS NOTED VERTICAL: AS NOTED		CONSULTANT PROJECT NO.: 05-5069-1000		NORTH APPROACH SECTIONS AND DETAILS		