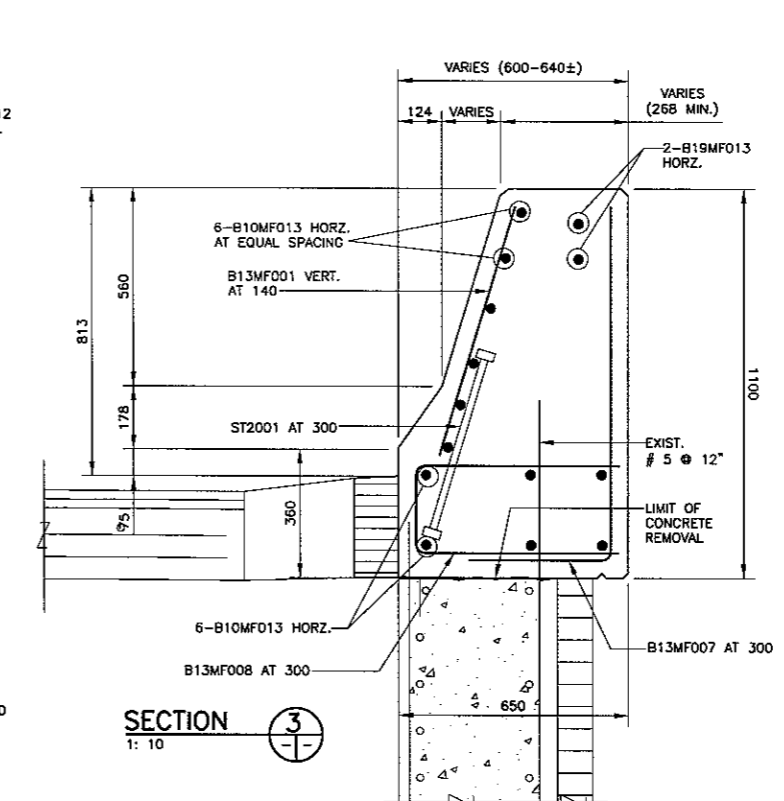
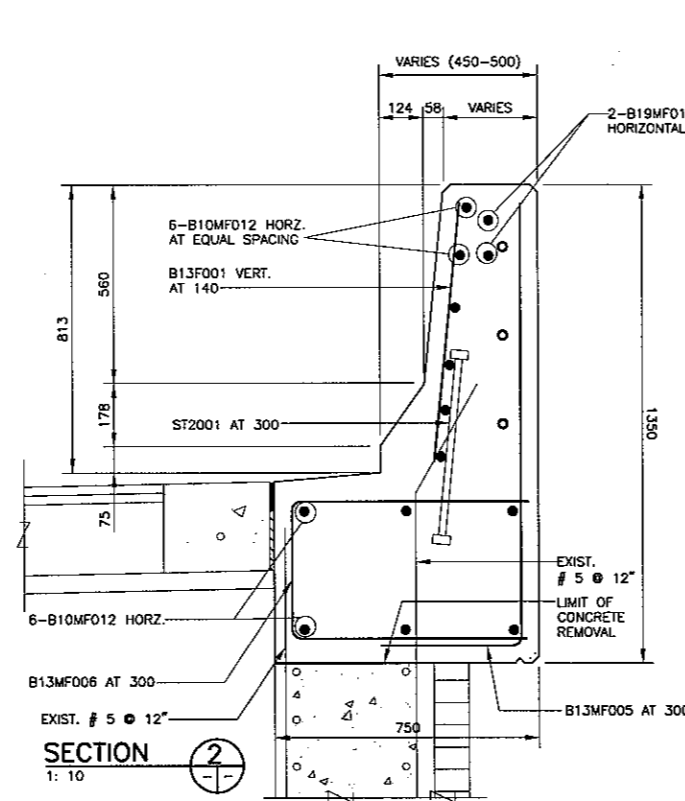
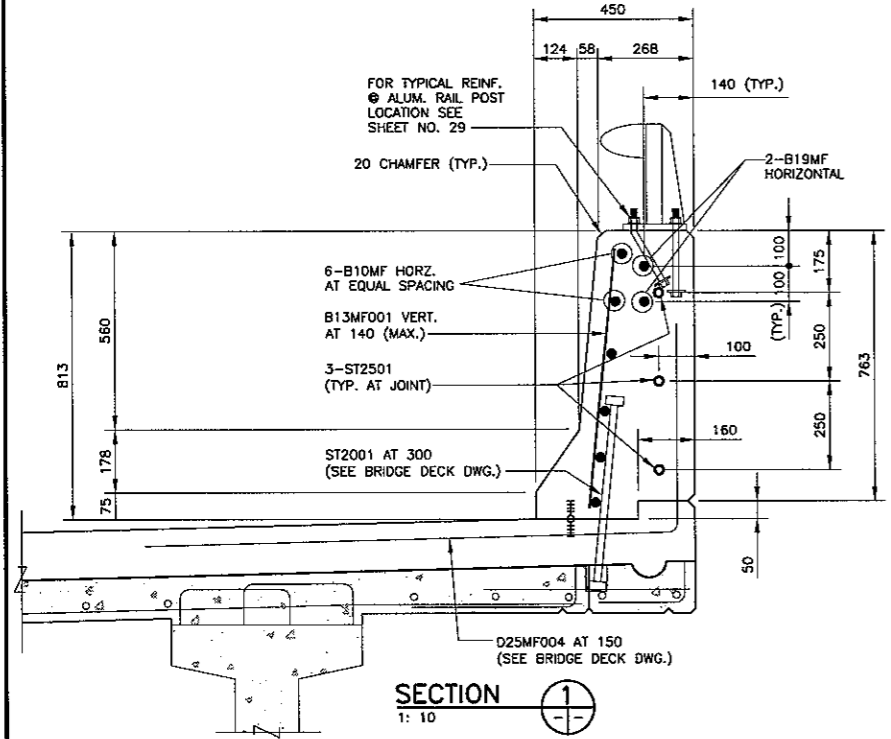


CONCRETE MEDIAN TRAFFIC BARRIER AND ALUMINUM TRAFFIC BARRIER RAIL LAYOUT

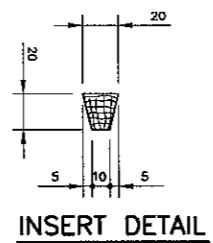
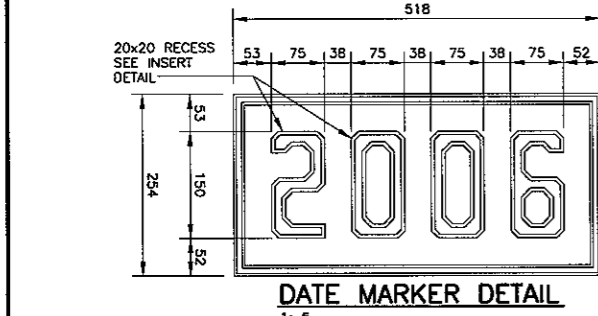
DATE MARKER LOCATION TO BE PLACED AT THE BACK FACE OF CONCRETE TRAFFIC BARRIER. SEE DATE MARKER DETAIL BELOW



CONCRETE TRAFFIC BARRIER REINFORCEMENT			
PANEL		VERT. BARS	HORIZONTAL BARS
TYPE	QUANTITY		
MP1	28	41-B13MF001	2-B19MF001 6-B10MF001
MP2	2	42-B13MF001	2-B19MF011 6-B10MF011
MP3	1	19-B13MF001 7-B13MF005 7-B13MF006 7-ST2001	2-B19MF012 12-B10MF012
MP4	1	4-B13MF001 3-B13MF007 3-B13MF008 7-ST2001	2-B19MF013 12-B10MF013

EXTRA REBARS AT RAIL POST LOCATION (47-POSTS)
94-B16MF001
235-B13MF004

DOWELS AT JOINT LOCATION (31-JOINTS)
93-ST2501



B.M. ELEV.	DESIGNED BY A.S.D./N.B.G.				
	DRAWN BY N.B.G.				
	CHECKED BY R.A.W.				MARYLAND TWIN BRIDGES REHABILITATION PROJECT EAST BRIDGE REHABILITATION
	REVIEWED BY S.S.R.				
	HOR. SCALE AS NOTED				CITY DRAWING NUMBER B108-06-28 SHEET 28 OF 38
	VERTICAL SCALE AS NOTED				
2 ISSUED FOR TENDER 02/12/06 N.B.G.					MEDIAN TRAFFIC BARRIER LAYOUT AND DETAILS
1 ISSUED FOR CITY REVIEW 12/14/05 N.B.G.					
NO. REVISIONS	DATE BY	DATE DEC. 2005	DATE 01-31-06	CONSULTANT PROJECT NO. 05-5069-1000	