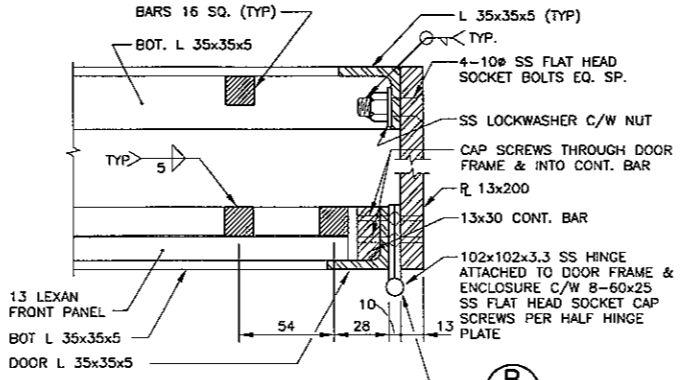
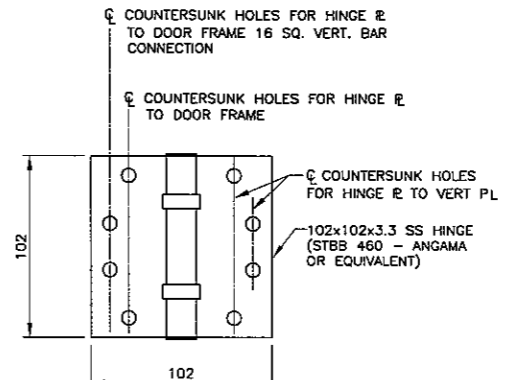


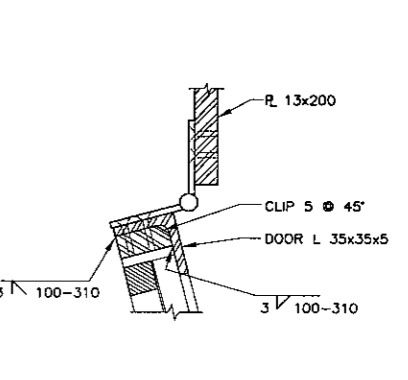
SECTION 1
SCALE 1:10



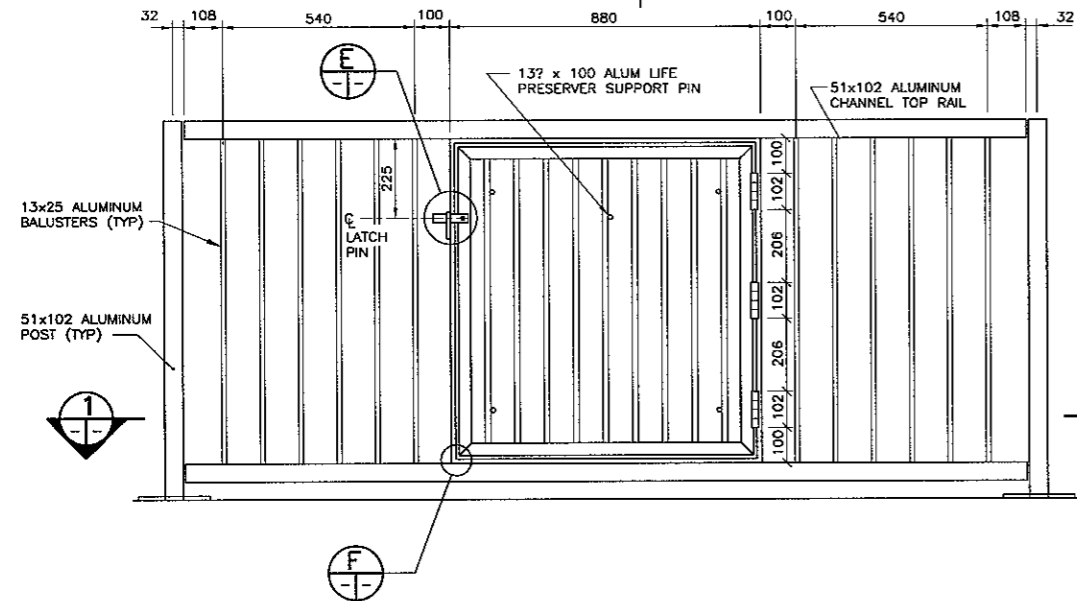
DETAIL A
SCALE 1:2



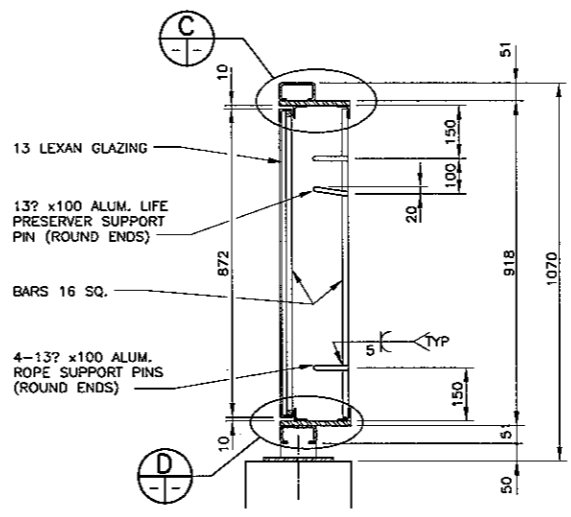
DETAIL B
SCALE 1:2



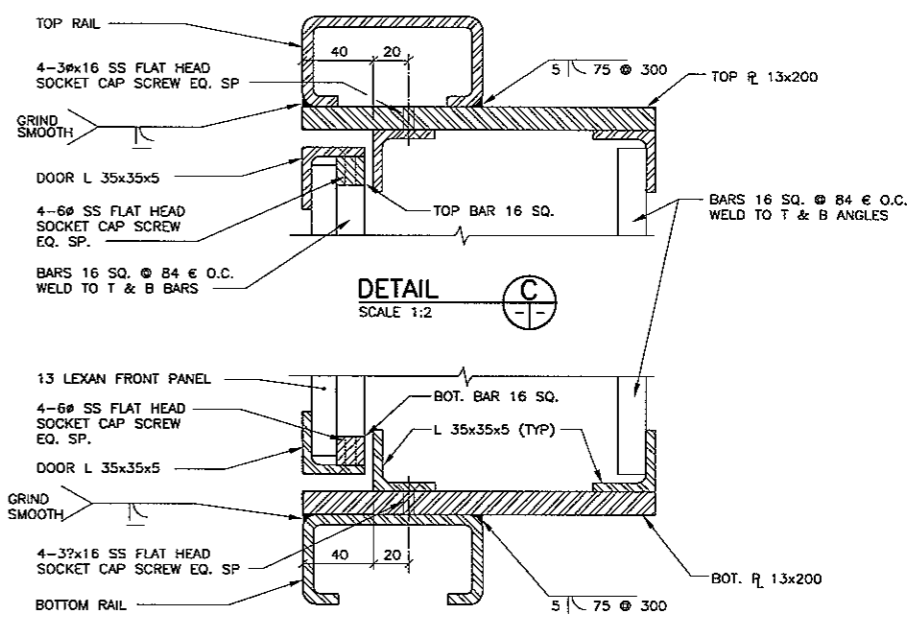
DETAIL C
SCALE 1:2



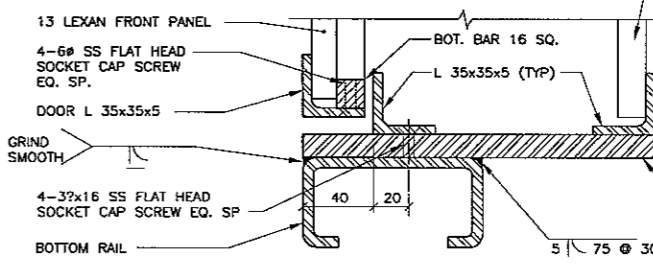
FRONT ELEVATION (PANEL "E")
SCALE 1:10



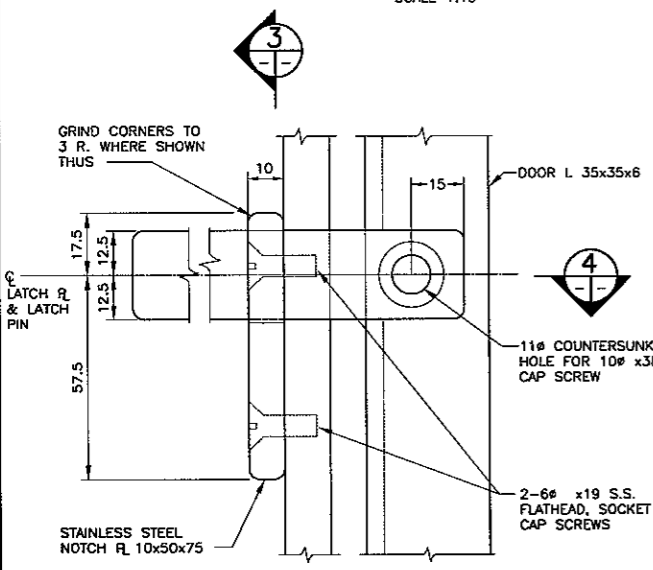
SECTION 2
SCALE 1:10



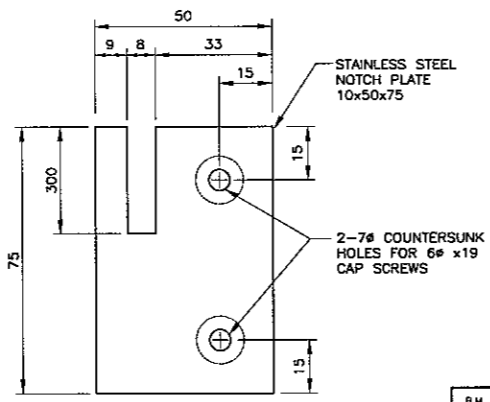
DETAIL D
SCALE 1:2



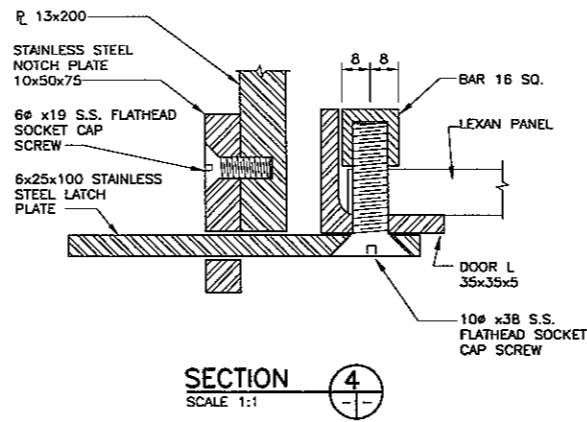
DETAIL E
SCALE 1:2



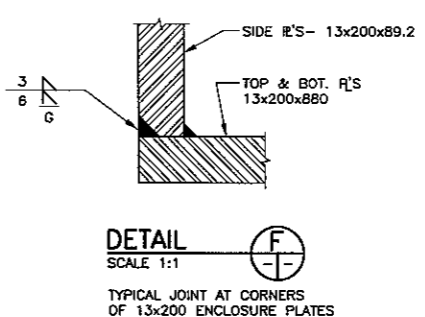
DETAIL F
SCALE 1:1



SECTION 3
SCALE 1:1



SECTION 4
SCALE 1:1



DETAIL G
SCALE 1:1

- NOTES:
1. DRILL AND TAP HOLES FOR STAINLESS STEEL FLAT HEAD SOCKET CAP SCREWS.
 2. INSTALL STAINLESS STEEL CAP SCREWS THROUGH ENTIRE THICKNESS OF ADJOINING MEMBER, THEN CUT AND GRIND FLUSH.

B.M. ELEV.		DESIGNED BY N.B.G.	ENGINEER'S SEAL		ENGINEER'S SEAL	
		DRAWN BY N.B.G.	PROVINCE OF MANITOBA R.A. WIEBE REGISTERED PROFESSIONAL ENGINEER		THE CITY OF WINNIPEG PUBLIC WORKS DEPARTMENT	
		CHECKED BY R.A.W.	DILLON CONSULTING		MARYLAND TWIN BRIDGES REHABILITATION PROJECT	
		REVIEWED BY R.A.W.	RELEASED FOR CONSTRUCTION DATE 01-31-06		EAST BRIDGE REHABILITATION	
2 ISSUED FOR TENDER 02/02/06 N.B.G.		HOR. SCALE AS NOTED		CONSULTANT PROJECT NO. 05-5069-1000		CITY DRAWING NUMBER B108-06-33
1 ISSUED FOR CITY REVIEW 12/14/05 N.B.G.		VERTICAL		DEC. 2005		SHEET 33 OF 38
NO. REVISIONS		DATE BY		DATE		ALUMINUM PEDESTRIAN HANDRAIL LIFE PRESERVER ENCLOSURE