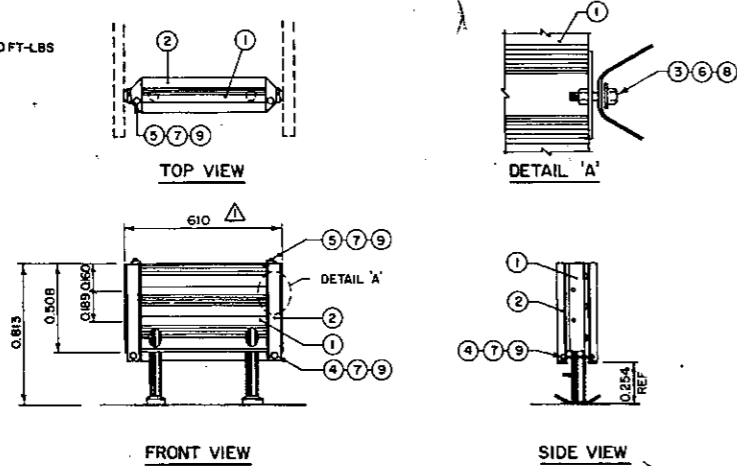


NOTES
TORQUE ③ TO 50-100 FT-LBS



DIAPHRAGM ASSEMBLY DETAIL
(FOR HEX-FOAM CARTRIDGE) SCALE 1:20

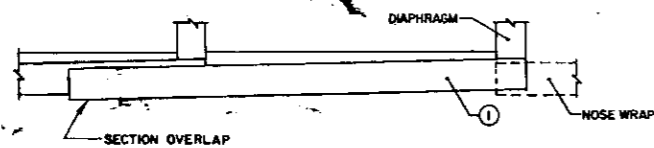
DIAPHRAGM ASSEMBLY PARTS LIST		
ITEM	STOCK NO.	DESCRIPTION
1	27-20-031	DIAPHRAGM
2	27-52-581	CARTRIDGE SUPPORT BRACKET
3	27-01-381	1/2" Ø x 2" H.H. BOLT
4	27-00-071	3/8" Ø x 5" H.H. BOLT
5	27-01-221	3/8" Ø x 1" H.H. BOLT
6	27-04-091	3/8" H.H. NUT
7	27-04-051	3/8" H.H. NUT
8	27-08-081	3/8" FLAT WASHER
9	27-08-021	3/8" FLAT WASHER

NOTE
THIS DRAWING SHOWS THE COMPONENTS OF THE EXISTING G-R-E-A-T UNIT FOR REFERENCE ONLY. PARTS ON THIS DRAWING SHALL NOT BE SUPPLIED BY THE CONTRACTOR.

FENDER PANEL ASSEMBLY PARTS LIST		
ITEM	STOCK NO.	DESCRIPTION
	35-05-012	ASSEMBLY
1	27-38-111	THREE BEAM FENDER PANEL
2	27-08-153	MUSHROOM WASHER
3	27-01-041	1/2" Ø x 1 1/2" H.H. BOLT
4	27-04-091	3/8" H.H. NUT
5	27-08-081	3/8" FLAT WASHER
6	27-52-081	DEFLECTOR PANEL
7	27-06-181	1/2" x 1" FLAT HEAD CAP SCREW
8	27-52-651	MUSHROOM BOLT DEFLECTOR
9	27-08-011	1/2" FLAT WASHER
10	27-04-011	1/2" H.H. NUT
11	27-01-731	7/16" x 3" FN ALLEN MACHINE BOLT
12	27-08-381	2 x 2 x 1/4" W 13/16" HOLE SQ. WASHER
13	27-04-141	5/8" H.H. NUT

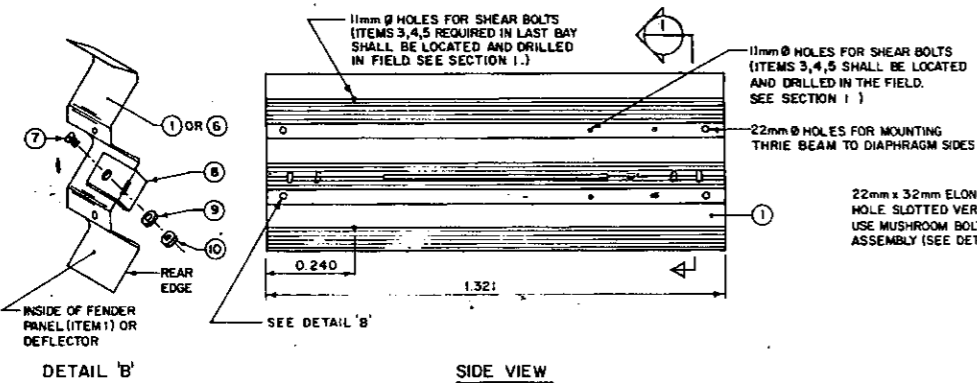
RECORD DRAWING
APPROVED BY: [Signature] DATE: [Blank]

NOSE COVER ASSEMBLY PARTS LIST		
ITEM	STOCK NO.	DESCRIPTION
	35-02-08	ASSEMBLY
1	20-20-811	NOSE COVER
2	27-14-892	SUPPORT LEG
3	27-14-891	SUPPORT TAB
4	27-04-031	3/8" H.H. NUT
5	27-08-021	3/8" FLAT WASHER
6	27-01-171	3/8" Ø x 2 1/2" CARRIAGE BOLT
7	35-09-50	TYPE 50 HEX-FOAM CARTRIDGE



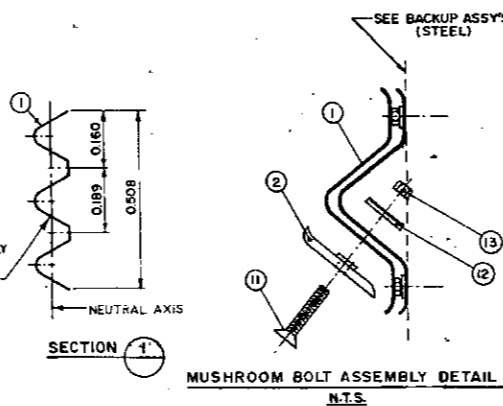
TOP ASSEMBLY VIEW

NOTES
SPRAY ALL HOLES DRILLED IN FIELD WITH GALVANIZING COMPOUND

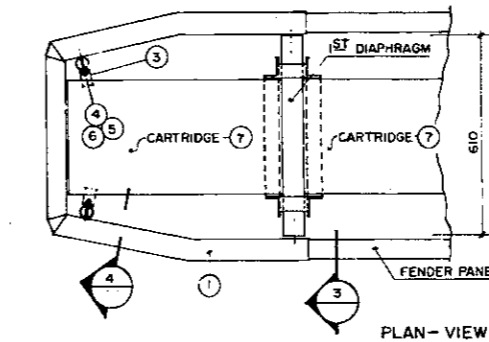


SIDE VIEW

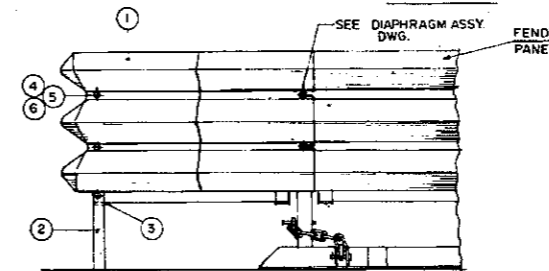
THREE BEAM FENDER PANEL ASSEMBLY DETAILS
(TYPICAL FOR EACH FENDER PANEL) SCALE 1:10



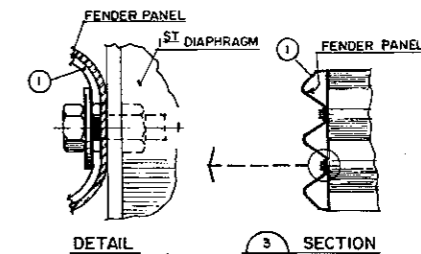
MUSHROOM BOLT ASSEMBLY DETAIL
N.T.S.



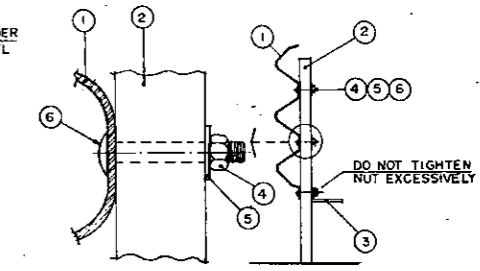
PLAN VIEW



RIGHT SIDE VIEW



DETAIL SECTION 3



DETAIL SECTION 4

NOSE COVER ASSEMBLY DETAILS
(USING HEX-FOAM CARTRIDGES) N.T.S.

AUTHORIZED BY: [Signature] DATE: 1988-05-19
ACCEPTED BY: [Signature] DATE: 18 05 19

LOCATION APPROVED UNDERGROUND STRUCTURES
Not Applicable
SUPPLY LIST STRUCTURES COMMITTEE

NOTE:
LOCATION OF UNDERGROUND STRUCTURES AS SHOWN ARE BASED ON THE BEST INFORMATION AVAILABLE BUT NO GUARANTEE IS GIVEN THAT ALL EXISTING UTILITIES ARE SHOWN OR THAT THE GIVEN LOCATIONS ARE EXACT. COORDINATION OF EXISTENCES AND EXACT LOCATION OF ALL SERVICES MUST BE OBTAINED FROM THE INDIVIDUAL UTILITIES BEFORE PROCEEDING WITH CONSTRUCTION.

NO.	REVISIONS	DATE	BY

DILLON
Consulting Engineers - Planners
Environmental Scientists

DESIGNED BY	N.A.	CHECKED BY	R.S.
DRAWN BY	S.K.B.	APPROVED BY	[Signature]
HOR SCALE VERTICAL	AS SHOWN	RELEASED FOR CONSTRUCTION	
DATE	MAY 1988	DATE	

ENGINEER'S SEAL
N/A
CONSULTANT DRAWING NO.

THE CITY OF WINNIPEG
WORKS AND OPERATIONS DIVISION

MARYLAND BRIDGE
REPLACEMENT OF WEST (MEDIAN) BRIDGE RAIL OF NORTHBOUND STRUCTURE

EXISTING G-R-E-A-T UNIT
STANDARD DETAILS

CITY DRAWING NUMBER
B108-88-13
SHEET 01
B-5790-13