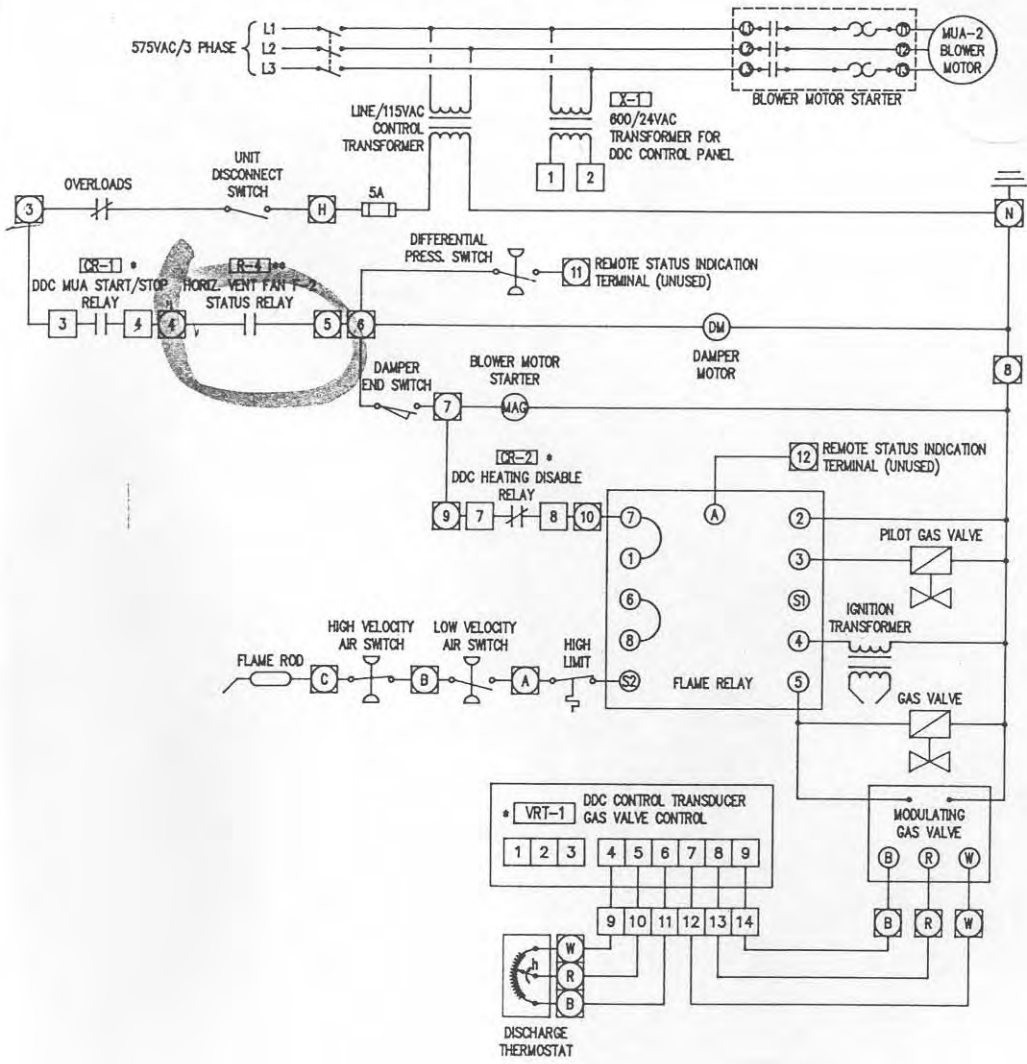
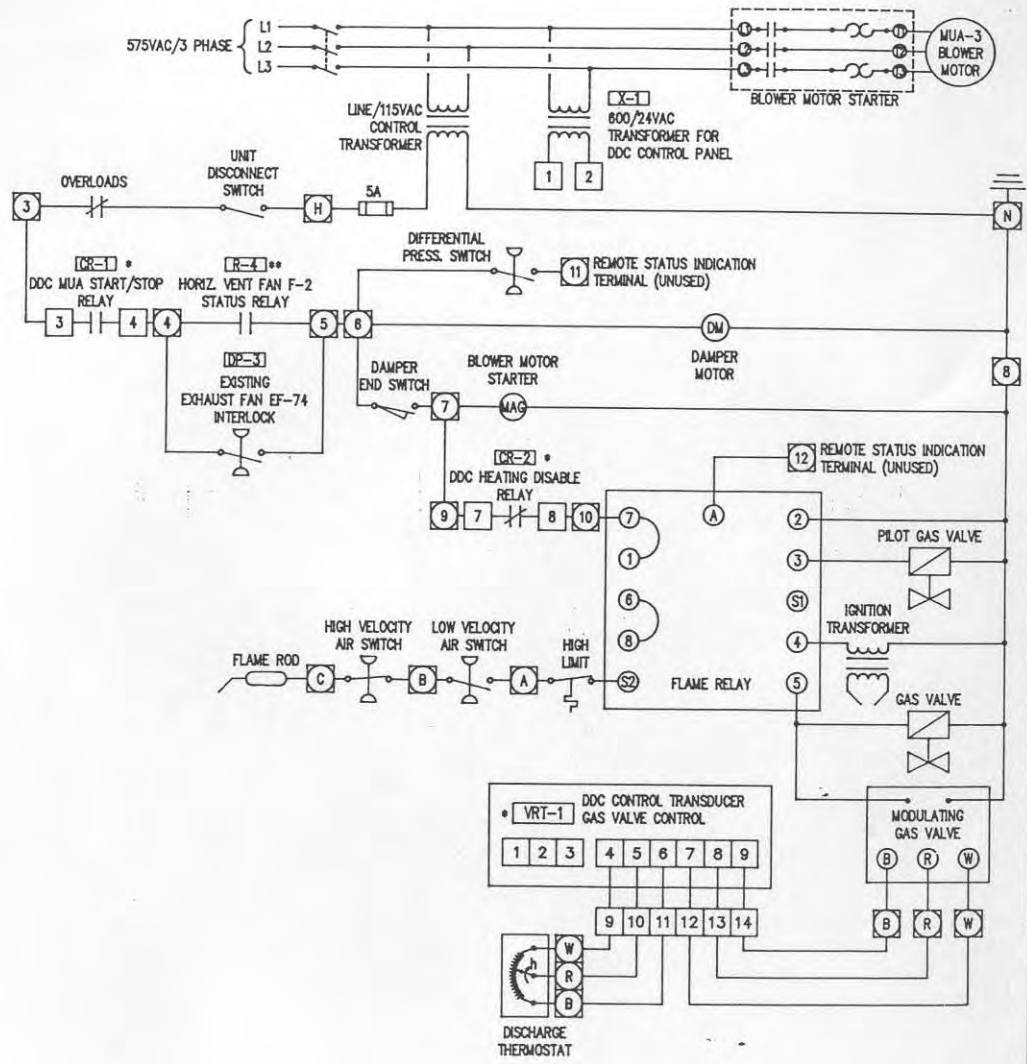


### MUA-2



### MUA-3



#### LEGEND

- N JCL DDC PANEL TERMINAL
- N EXIST. REMOTE PANEL TERMINAL
- N MUA TERMINAL
- \* MOUNTED IN 20" X 20" DDC CONTROL PANEL (REFER Dwg. 1501-9A/10A)
- \*\* MOUNTED IN CYCLONE CONTROL PANEL (REFER Dwg. 1501-7A)

DRAWING TITLE FT. ROUGE BUS GARAGE SERVICE BAY -ENGINEERED AIR-MAKE-UP AIR UNIT WIRING DETAIL TYP. FOR MUA-2 AND 3		AS PER E.B.		3	R-2 INTER REMOVE	10/09/01	DM
		DP-2 DELETED		2	1098-5008	09/29/01	DM
		REFERENCE DRAWING NO.		1	AS BUILT	09/04/01	DM
PROJECT WINNIPEG TRANSIT METASTASIS FACILITY MANAGEMENT SYSTEM		DATE 12/13/01		APPROVED		CONTRACT NUMBER 90098-0310	
SALES ENGINEER BH		PROJECT MGR JHIF		DRAWN JHIF		DATE 12/13/01	
JOHNSON CONTROLS LTD 800 WORAY STREET WINNIPEG, MANITOBA R2V 3V9 204-885-8300		JOHNSON CONTROLS Systems & Services Division		DRAWING NUMBER 1501-11B		FILE: SERV2MUA	