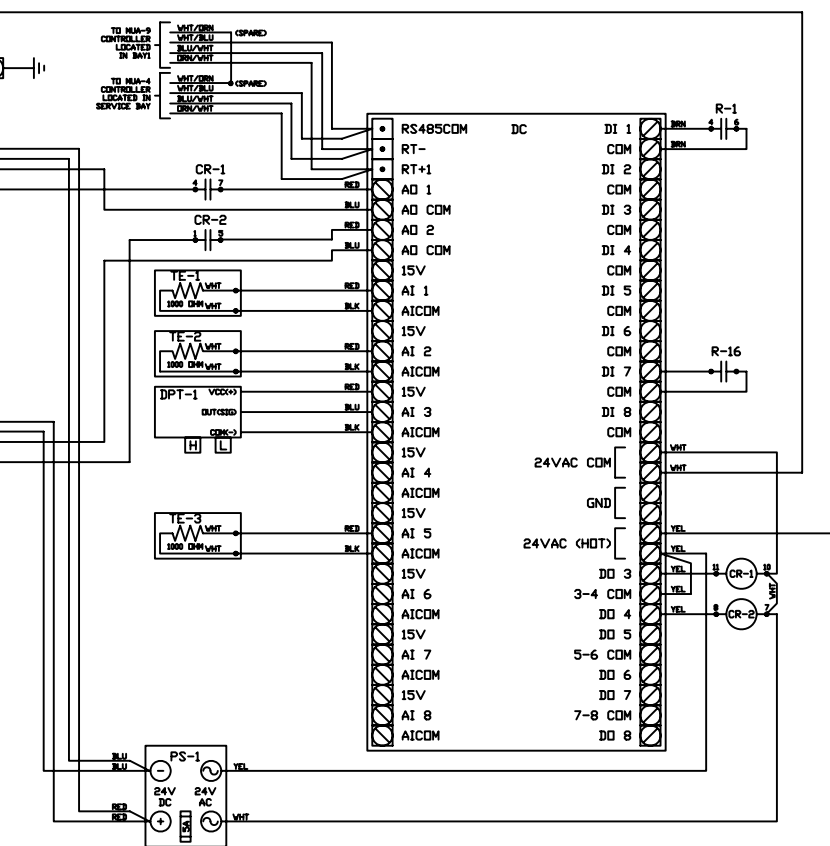


- COMPONENT IDENTIFICATION**
- CR-1 START/STOP & DAMPER RELAY
 - CR-2 HEATING ENABLE/DISABLE RELAY
 - VRT-1 DAMPER TRANSDUCER
 - VRT-2 GAS VALVE TRANSDUCER
 - F-2 DIGITAL CONTROLLER FUSE
 - F-3 CONTROL FUSE
 - F-4 INDUCED DRAFT FUSE
 - MTR-1 MAIN SUPPLY FAN MOTOR
 - MTR-2 INDUCED DRAFT FAN MOTOR
 - MTR-4 MODUTROL MOTOR
 - MTR-5 DAMPER MOTOR
 - MTR-6 BURNER MOTOR
 - S-1 MAIN FAN MOTOR STARTER
 - S-2 ID FAN MOTOR STARTER
 - R-1 FAN STATUS RELAY
 - R-2 BURNER RELAY
 - R-3 BURNER MOTOR STARTER & CLUTCH
 - R-5 LOW FIRE RELAY
 - R-6 LOW FIRE HOLD RELAY
 - R-16 ALARM CIRCUIT RELAY
 - PC-1 ROOM THERMOSTAT
 - PC-6 DUCTSTAT
 - TR-1 CONTROL TRANSFORMER
 - TR-2 GAS IGNITION TRANSFORMER
 - TR-4 MODUTROL MOTOR TRANSFORMER
 - TR-5 DAMPER MOTOR TRANSFORMER
 - SW-1 MAIN DISCONNECT SWITCH
 - SW-3 HIGH LIMIT SWITCH
 - SW-3A AUXILIARY HIGH LIMIT SWITCH
 - SW-4 FAN SWITCH
 - SW-4A AUXILIARY FAN SWITCH
 - SW-5 DRAFT PROVING SWITCH
 - SW-6 LO-GAS CUTOFF SWITCH
 - SW-10 AUXILIARY END SWITCH NO.1
 - SW-11 AUXILIARY END SWITCH NO.2
 - SW-16 DIFFERENTIAL SWITCH
 - SW-18 LOW FIRE TEST SWITCH
 - SW-19 AUXILIARY BLOWER KILL SWITCH
 - VG-1 PILOT GAS VALVE
 - VG-2 MAIN GAS VALVE
 - MP-1 DAMPER MOTOR POTENTIOMETER
 - DC DIGITAL CONTROLLER
 - TE-1 SPACE TEMPERATURE ELEMENT
 - TE-2 SUPPLY AIR TEMPERATURE ELEMENT
 - TE-3 OUTSIDE AIR TEMPERATURE ELEMENT
 - DPT-1 DIFFERENTIAL PRESSURE XDUCER
 - PS-1 POWER SUPPLY



FORT ROUGE GARAGE STORAGE: BAYB/TRKS 1-24 MUA-6 WIRING DETAILS	REVISSION 2 DRAWING NO. 1501-12A-MUA6
---	--