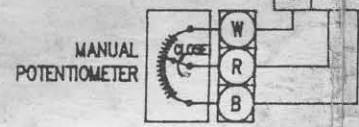
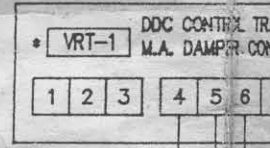
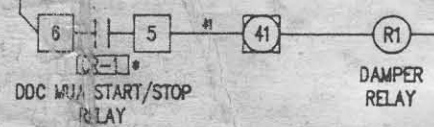
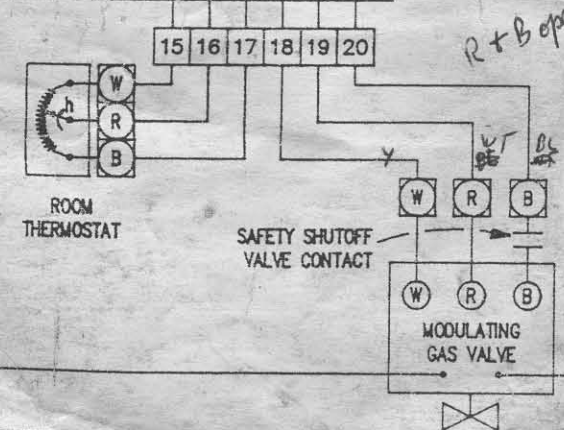
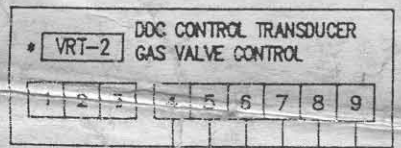
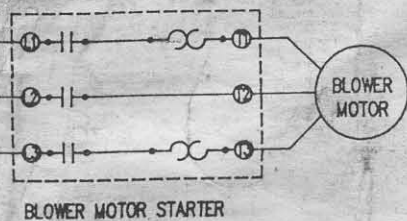


*RA 890 only
wire omitted for
7 wire control*



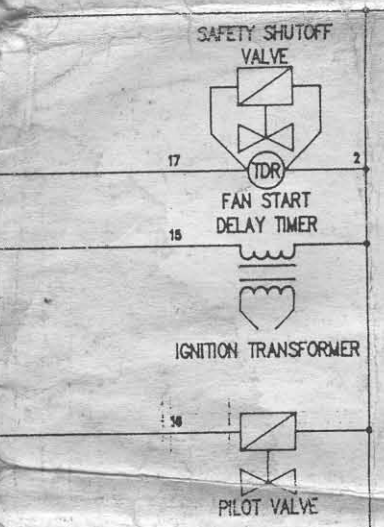


Flame signal must be
min 24A DC.

Pilot is 34A

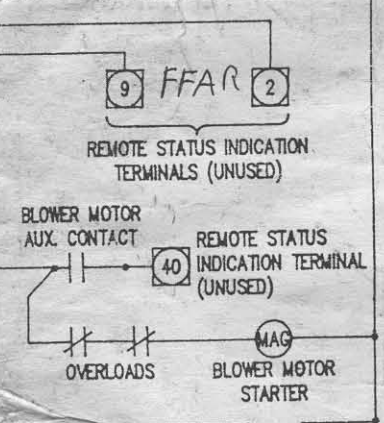
main flame 3-44A

High fire 4-54A



W - yellow
R - Red Blue
B - WT

(UNT control)



FFAR - Flame failure Alarm Relay

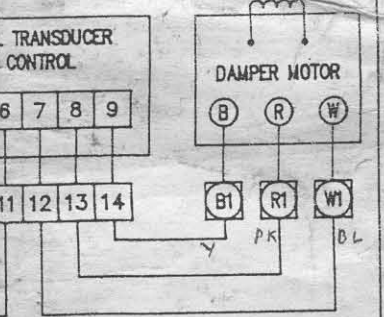
10-FFA-2

FFAR NO. 11 to BL +2
24VAC

FFAR NC
174

- JCL DDC PANEL TERM
- EXIST REMOTE PANEL TERM.
- MUA TERMINAL

* MOUNTED IN
20" X 20" DDC CONTROL PANEL
(REFER Dwg. 1501-9A/10A)



DRAWING TITLE
FT. ROUGE BUS GARAGE
PARKING BAY 3 --DRAVO--
MAKE-UP AIR UNIT WIRING DETAIL
TYP. FOR MUA-20 THRU 26

2098-5002	3	AS BUILT	04/22/91	ONE
2098-5002	2	R-4 ADDED	02/12/91	JHF
	1	AS BUILT	05/31/91	JHF
REFERENCE DRAWING	NO.	REVISION-LOCATION	ECN	DATE BY
SALES ENGR	PROJECT MGR	APPL ENGR	DRAWN	APPROVED
BH	DM	JHF	BY JHF	DATE 12/20/90
PROJECT WINNIPEG TRANSIT METASTYS FACILITY MANAGEMENT SYSTEM			CONTRACT NUMBER 90098-0310	
JOHNSON CONTROLS Systems & Services Division			DRAWING NUMBER 1501-128	
800 MORAY STREET WINNIPEG, MANITOBA R3J 3V9 204-885-8380				